



INSTALLATION, OPERATION, AND MAINTENANCE MANUAL

Excellence

Model: 57-DVRS50N

(An Archgard Fireplace Product)

GAS FIRED DIRECT VENT FIREPLACE S/N 510119 AND UP



WARNING:

FIRE OR EXPLOSION HAZARD

Failure to follow safety warnings exactly could result in serious injury, death, or property damage.

- Do not store or use gasoline or other flammable vapors or liquids in the vicinity of this or any other appliance.

- WHAT TO DO IF YOU SMELL GAS:

- Do not try to light any appliance
- Do not touch any electrical switch; do not use any phone in your building
- Leave the building immediately
- Immediately call your gas supplier from a neighbor's phone. Follow the gas suppliers instructions
- If you can not reach your gas supplier, call the fire department

- Installation and service must be performed by a qualified installer, service agency or the gas supplier.

English and French Installation Manuals available through your local dealer or visit our website at: www.archgard.com
Les manuels d'installation en anglais et en français son disponibles chez votre détaillant local ou en visitant notre site web: www.archgard.com

INSTALLER:

LEAVE THIS MANUAL WITH THE APPLIANCE.

CONSUMER:

RETAIN THIS MANUAL FOR FUTURE REFERENCE.

This appliance may be installed in an aftermarket permanently located, manufactured home (USA only) or mobile home where not prohibited by local codes.

This appliance is only for use with the type of gas indicated on the rating plate. This appliance is not convertible for use with other gases, unless a certified kit is used.



DANGER



HOT GLASS WILL CAUSE BURNS.

DO NOT TOUCH GLASS UNTIL COOLED.

NEVER ALLOW CHILDREN TO TOUCH GLASS.

A barrier designed to reduce the risk of burns from the hot viewing glass is provided with this appliance and must be installed for the protection of children and other at-risk individuals.

NATIONAL FIREPLACE INSTITUTE

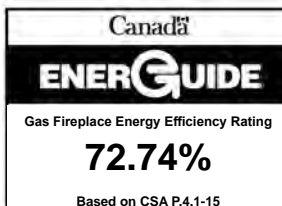


CERTIFIED
www.nficertified.org

We recommend that our gas hearth products be installed and serviced by professionals who are certified in the U.S. by the National Fireplace Institute® (NFI) as NFI Gas Specialists.

ARCHGARD FIREPLACE PRODUCTS

300 Railway Avenue
Raymond, AB T0K 2S0 Canada



200-0057-16
March 17, 2026

TABLE OF CONTENTS

1.0 Introduction	3	14.0 Gas Connections	39
2.0 Safety Information	4	14.1 Clocking Procedure.....	39
3.0 Technical Information	5	14.2 Conversion Kit Instructions.....	40
3.1 Appliance Certification.....	5	14.3 Prepare the Fireplace.....	40
3.2 Installation Codes.....	5	14.4 Pilot Conversion.....	40
3.3 Specifications.....	5	14.5 Convert the Gas Valve.....	41
3.4 High Altitude Installation.....	5	14.6 Complete the Conversion.....	41
4.0 Rating Plate	6	15.0 Finishing	42
5.0 Installation Checklist	7	16.0 Firebox Liner Installation	45
6.0 Appliance Overview	8	16.1 Installing the Rear Panels.....	45
6.1 Appliance Overview.....	8	16.2 Installing the Side Panel & Baffle.....	46
6.2 Rating Plate Location.....	8	16.3 Reflective Glass Installation.....	47
6.3 Barrier Screen.....	9	17.0 Burner Media Installation	50
6.4 Glass Door Installation.....	10	17.1 Optional Silhouette Log Set.....	51
6.5 Accessing The Controls.....	11	18.0 Operation	52
7.0 Electrical Connections	12	18.1 Before Lighting.....	52
8.0 Fireplace Dimensions	13	18.2 First Fire.....	52
9.0 Prepare The Fireplace	15	18.3 Lighting Instructions.....	53
9.1 Installation Overview.....	15	18.4 Continuous Pilot on Demand System.....	54
9.2 Nailing Flange Installation.....	16	18.5 Remote Control Operation.....	55
9.3 Standoff Installation.....	17	19.0 Maintenance	62
10.0 Venting Instructions	18	19.1 Cleaning and Routine Maintenance.....	62
10.1 Vent Run Guide.....	21	19.2 Servicing Under Warranty.....	63
10.2 Vent Restrictor Installation.....	23	19.3 Checking Inlet and Outlet Pressure.....	63
10.3 Third Party Venting Components.....	24	19.4 Checking and Adjusting Pilot.....	63
10.4 Termination Location Clearances.....	26	19.5 Adjusting the Primary Air.....	64
10.5 Snorkel Termination Installation.....	28	19.6 Replacing Batteries.....	65
11.0 Framing	29	19.7 Replacing Fuse.....	65
11.1 Wall Enclosure Rough Opening.....	29	19.8 Disabling CPI.....	65
11.2 Typical Corner Installation.....	31	19.9 Replacing the Control Board.....	66
11.3 Ventilation Framing.....	32	19.10 Wiring Schematic.....	67
12.0 Clearances to Combustibles	33	19.11 Replacing the Burners.....	68
12.1 Mantel Clearances.....	33	19.12 Replacing the Pilot.....	70
12.2 Clearances to surround.....	34	19.13 Troubleshooting.....	71
12.3 Hearth Clearances.....	34	20.0 Frequently Asked Questions	72
12.4 Rear Wall Clearance.....	36	21.0 Replacement Parts List	73
12.5 Sidewall Clearances.....	36		
13.0 Fireplace Installation (Exterior Wall)	37		

General Information

1.0 Introduction

Excellence: The quality of being outstanding..

Thank You and Congratulations for choosing a Brigantia Gas Fireplace!

The Excellence is one of the most advanced Direct Vent heaters available today. It is solidly designed using the latest technology and manufactured to the highest quality. It is our aim to provide you with an appliance that brings many trouble-free years of reliable service.

Some of the many features of your Excellence are:

- **Heater Classification** The Excellence is classified as a heating appliance. In conjunction with an optional thermostat, it can be operated continuously for zone heating.
- **High Efficiency** The Excellence has one of the highest efficiencies of any fireplace, which means that it is less expensive to operate.
- **Adjustable Flame** The flame aesthetics and heat output can be adjusted to suit your heating needs. Options include flame height or split flow control which allows you to choose between one burner or three burners.
- **Solid Construction** The Excellence is constructed mainly of 14 and 18 gauge galvanized and aluminized steel for long life and durability.
- **Optional Accessories** Speak with your local Authorized Brigantia Dealer for a full complement of decorative accessories to suit your home's decor and personal tastes.
- **Multiple Electronic Control Pilot Settings** This fireplace uses a gas control valve that is operated by a Multifunction Remote Control. It can be set up as either an Intermittent Pilot Ignition (IPI) system, or Continuous Pilot on Demand Ignition (CPI) system (also known as a Pilot on Demand (POD)).

Model Number Definition (57-DVRS50N)

57	Diagonal dimension of the fireplace opening in inches
DV	Direct Vent Fireplace
R	Rear Vented
S	Shallow
50	Natural Gas Input Rating in BTU
N	Manufactured as Natural Gas (optional Propane conversion kit available)

CPI vs IPI:

Continuous Pilot on Demand Ignition (CPI): In this mode the pilot runs continuously even when the main burner is off. The Continuous Pilot on Demand Ignition operates on a seven day cycle. If the main burner is not turned on for seven continuous days, the pilot will turn itself off. When the main burner is lit again the cycle repeats. The pilot will remain lit for seven days, even after the main burner is turned off. If the main burner is lit during a seven day timing cycle, the seven day timer will reset.

Intermittent Pilot Ignition (IPI): A fuel saving mode in which the pilot is only used when the main burner is on.

This appliance is shipped in IPI mode. IPI mode is often the preferred method, however, there are some situations where it may be preferable to switch the fireplace into CPI mode. For example, in colder climates the glass door or the front of the fireplace could become very cold to the touch.

Please complete and submit the warranty registration card included in the back of this manual or by visiting us at:
www.archgard.com/warranty-registration

General Information

2.0 Safety Information

Caution

FOR YOUR SAFETY - Do not install or operate your **57-DVRS50N** without reading and understanding this manual. Any installation or operational deviation from this instruction manual voids the warranty and may prove hazardous.

- This appliance must be installed by a qualified gas installer and the installation must conform to the installation codes
- Provide adequate clearance around air openings into combustion chamber
- Never obstruct front openings
- Provide adequate clearances for proper operation and servicing of the appliance
- This appliance must be properly connected to an approved venting system and must not be connected to a chimney flue serving a separate solid fuel burning appliance
- Flow of combustion and ventilation air must not be obstructed
- Always provide adequate clearance around the intake and exhaust openings

Safety

- Due to high temperatures, the appliance should be located out of traffic and away from furniture and draperies
- Children and adults should be alerted to the hazards of high surface temperature and stay away to avoid burns or clothing ignition
- If this appliance is installed directly on carpeting, tile, or other combustible material other than wood flooring, the appliance shall be installed on a metal or wood panel extending the full width and depth of the appliance
- Young children should be carefully supervised when they are in the same room as the appliance. Toddlers, young children and others may be susceptible to accidental contact burns. A physical barrier is recommended if there are at risk individuals in the house. To restrict access to a fireplace or stove, install an adjustable safety gate to keep toddlers, young children and other at risk individuals out of the room and away from hot surfaces
- Do not store or place combustibles, gasoline, and other flammable vapors and liquids near the appliance
- Clothing or other flammable material should not be placed on or near the appliance
- **WARNING:** Do not operate appliance with the glass front removed, cracked, or broken. Removal of the glass should be done by a licensed or qualified service person. Do not to strike or slam the glass
- Any safety screen or guard removed for servicing an appliance must be replaced prior to operating
- Installation and Repair should be done by a qualified service person. The appliance should be inspected before use and at least annually by a professional service person. More frequent cleaning may be required due to excessive lint from carpeting, bedding materials, etc. It is imperative that the control compartments, burners and circulating air passageways of the appliance are kept clean
- Under no circumstances should any solid fuel (wood, coal, paper or cardboard, etc.) be used in this appliance
- Keep burner and control compartment clean
- Do not use this appliance if any part has been under water. Immediately call a qualified service technician to inspect the appliance and to replace any part of the control system and any gas control which has been under water

Each Brigantia Gas Fireplace is checked and tested at the factory prior to being packaged and shipped to our dealers and finally installed in your home. Before leaving this unit with the customer, the installer must ensure that the appliance is firing correctly and that the electrical system is in working order. The Installation Checklist in **Section 5.0** should be used to ensure the proper installation of this gas fireplace heater and to document any deviations from a typical install.

Any alteration to the product that causes carbon or soot deposits that results in any damage or requires cleaning is not the responsibility of the manufacturer.

General Information

3.0 Technical Information

3.1 Appliance Certification

This appliance was listed by QAI Laboratories Inc to the following USA and Canadian gas appliance standards.

- ANSI Z21.88-2019 / CSA 2.33-2019 Vented Gas Fireplace Heaters
 - CSA-2.17-M91 (R2009), Gas-Fired Appliances for Use at High Altitudes
 - CSA P.4.1-15 testing method for measuring annual fireplace efficiency.
 - CSA C22.2 No.3 - M1998(R.2014) - Electrical Features of Fuel-Burning Equipment
- The listing label is attached to the appliance on the bottom right side of the appliance.
A copy is shown on **Section 4.0**.

Commonwealth of Massachusetts: This appliance has been manufactured in accordance with Massachusetts code 248 CMR 5.00. Approval Code: G3-0119-103. (https://licensing.reg.state.ma.us/pubLic/pl_products/pb_pre_form.asp).

Please contact **Archgard Industries Ltd.**, if you have any questions regarding the certification of this appliance.

3.2 Installation Codes

This appliance must be installed by a qualified gas appliance installer. The installation must conform with the local codes or, in the absence of local codes, with the current National Fuel Gas Code ANSI Z223.1/ NFPA 54 in the US, or Installation Code CAN/CGA-B149.1 in Canada. Electrical connections and grounding must conform with local code, or current National Electrical code ANSI/NFPA No. 70-1987 in the US, and in Canada the current Canadian Electrical Code CSA C22.1.

We recommend that our gas hearth products be installed and serviced by professionals who are certified in the U.S. by the National Fireplace Institute® (NFI) as NFI Gas Specialists.

3.3 Specifications

	Natural Gas (NG)	Propane (LP)
Manifold Pressure	1.6 - 3.5 in. W.C. (0.4 - 0.9 kPa)	6.4 - 10.0 in. W.C. (1.6 - 2.5 kPa)
Min. Supply Pressure	5.0 in W.C. (1.2 kPa)	11.0 in W.C. (2.74 kPa)
Max Supply Pressure	14.0 in. W.C (3.5 kPa)	14.0 in. W.C. (3.5 kPa)
Orifice Size	#35 DMS (2.79 mm dia) x 1 #48 DMS (1.93 mm dia) x 2	#53 DMS (1.51 mm dia) x 1 #58 DMS (1.07 mm dia) x 2
Input Rating	21,000 - 50,000 BTU/hr (6.1 - 14.7 kW)	19,000 - 50,000 BTU/hr (5.6 - 14.7 kW)
P.4 Fireplace Efficiency (FE)	72.74%	
P.4 Steady State Efficiency	72.01%	
Electrical Rating	120 VAC, 60Hz less than 2 A.	
Gas Control	SIT 885 Proflame II with Continuous Pilot on Demand	
Altitude	0 - 4,500 ft. (0 - 1372 M)	
Primary Air Opening	1/16" (3 mm) OPEN	1/4" (12 mm) OPEN


3.4 High Altitude Installation

When installing this appliance beyond 4500 ft. (1372 M) above sea level, the appliance must be properly derated and installed according to local codes, in the absence of local codes, with the current National Fuel Gas Code, ANSI Z223.1/ NFPA 54, in the US or Installation Code, CAN/CGA-B149.1, in Canada.

General Information

4.0 Rating Plate

DO NOT REMOVE THIS LABEL



MODEL: 57-DVRS50N
Manufactured as Natural Gas.

VENTED GAS FIREPLACE HEATER
Tested to: ANSI Z21.88-2019 / CSA 2.33-2019, CSA – P.4.1-15, and CSA C22.2 No.3 – M1988(R.2014).
This vented gas fireplace heater is not for use with air filters. Certified for use in both CANADA and USA.

VENTED GAS FIREPLACE HEATER-NOT FOR USE WITH SOLID FUEL.

	NG	LPG
Input rating	21,000 - 50,000 BTU/hr (6.1 - 14.7 kW)	19,000 - 50,000 BTU/hr (5.6 - 14.7kW)
Manifold Pressure	1.6 - 3.5 in. W.C. (0.4 - 0.9 kPa)	10.0 - 6.4 in. W.C. (2.5 - 1.6 kPa)
Orifice size - Center Orifice size - Sides	#35 DMS (2.79 mm dia.) x 1 #48 DMS (1.93 mm dia.) x 2	#53 DMS (1.51 mm dia.) x 1 #58 DMS (1.07 mm dia.) x 2
Supply pressure (Min - Max)	5.0 - 14.0 in. W.C. (1.25 - 3.5 kPa)	11.0 - 14.0 in. W.C. (2.74 - 3.5 kPa)
Burner Primary Air Setting	1/16" (3mm) Open	1/4" (12mm) Open
Altitude	0 - 2000 ft (0 - 610 m)	0 - 2000 ft (0 - 610 m)
Electrical rating	120 VAC, 60 Hz, less than 2 A.	
Gas Control	SIT 885 Proflame II with Continuous POD	
P.4.1 Fireplace Efficiency (FE)	72.74%	
Keep burner and control compartment clean. See Instructions accompanying the heater. Optional fuel conversion kit : See Manual	Minimum clearances to Combustibles: Chase sides, back & top from fireplace standoffs: 0" (0 cm). Interior sidewall from fireplace door 18" (45.72 cm). Mantle: 8" (20.32 cm) mantle at min 18" (45.72 cm) from the top of the fireplace door. Vent pipe: Sides & Bottom: 1" (2.54 cm), Top: 2" (5.08 mm). Ceiling: 30" (76.20 cm) from the top of the fireplace door. See Manual for additional dimensions and clearances	

This appliance must be installed in accordance with local codes, if any; if none, follow the National Fuel Gas Code, ANSI Z223.1/NFPA 54, or Natural Gas and Propane Installation Codes, CSA B149.1. Electrical connections and grounding must be in accordance with local codes, if any; if none, follow the current CAN/CSA C22.1 in Canada and ANSI/NFPA 70 in the US. This appliance is certified for installation in a bedroom or a bed sitting room. This appliance is only for use with the gas indicated on the rating plate and may be installed in an aftermarket, permanently located, manufactured (mobile) home where not prohibited by local codes. See owner's manual for details. This appliance is not convertible with other gases, unless a certified kit is used.

WARNING: Improper installation, adjustment, alteration, service, or maintenance can cause injury or property damage. Refer to the owner's information manual provided with this appliance. For assistance or additional information consult a qualified installer, service agency, or the gas supplier. This appliance must be properly connected to a Direct Vent venting system in accordance with the manufacturer's installation instructions.


WARNING: Failure to install this appliance per the manufacturer's instructions or failure to use only parts specifically approved with this appliance may result in property damage or personal injury.

WARNING: Do not operate the appliance until all sections have been assembled and installed in accordance with the manufacturer's instructions.

WARNING: Operation of this appliance when not connected to a properly installed and maintained venting system can result in carbon monoxide (CO) poisoning and possible death.

ONLY DOORS CERTIFIED WITH THE APPLIANCE SHALL BE USED.
For use only with barrier part # 57-BS. Follow installation instructions.

Made in Canada by:
 Archgard Industries Ltd.
 300 Railway Avenue, Raymond, AB



October 2024 303-6057-05

MANUFACTURE DATE:




Figure 4.0.01:

Installation

5.0 Installation Checklist

This standard installation checklist is to be used by the installer in conjunction with, not instead of, the instructions contained within this installation manual.

Customer: _____ Install Address: _____	Date Installed: _____ Location of Fireplace: _____ Installer: _____
---	--

Appliance Install: (Section 9.0)	YES	IF NO, WHY NOT?
Verified that the chase is insulated and sealed.		
Standoffs and side nailing flanges are installed.		
Fireplace is leveled and secured.		
Venting: (Section 10.0)	YES	IF NO, WHY NOT?
Venting configuration complies with vent diagrams.		
Venting installed and secured in place maintaining proper clearances.		
Maintained 1/4" rise for every 1 ft. on horizontal run.		
Terminations installed and sealed in compliance with local building code.		
Direct vent termination is highest point in vent assembly.		
Wiring / Electrical: (Section 7.0)	YES	IF NO, WHY NOT?
Connected to household 110/120v per local codes.		
Unit is properly grounded.		
Gas: (Section 14.0)	YES	IF NO, WHY NOT?
Proper appliance for fuel type?		
Was a conversion performed?		
Leak check performed & inlet and manifold pressures verified?		
Verified proper air shutter setting?		
Finishing (Section 15.0):	YES	IF NO, WHY NOT?
Only noncombustible material installed in noncombustible areas.		
Clearances meet installation manual requirements.		
Mantels and/or projections comply with install manual.		
Appliance Setup:	YES	IF NO, WHY NOT?
Burner media / log set, glass door, screen, and surround are installed according to install manual.		
Manual given to home owner.		
Did you check operation of flame modulation and split flow control?		
Comments:		

6.0 Appliance Overview

6.1 Appliance Overview

The Proflame II control board, gas valve, and split flow valve are located under the firebox, behind the fireplace surround.

The rating plate is attached to the right side of the fireplace (see **Section 4.0**).

*Left and right side references in this manual correspond with the sides identified in **Figure 6.1.01**.

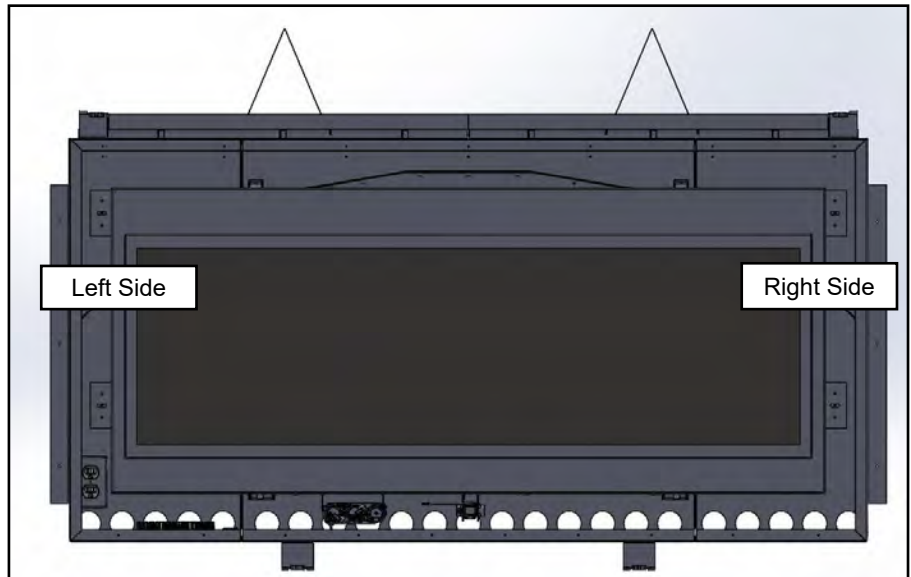


Figure 6.1.01:

6.2 Rating Plate Location

The rating plate is located on the right side of the fireplace, behind the fireplace surround. See **Section 6.5** for information on how to access the controls.

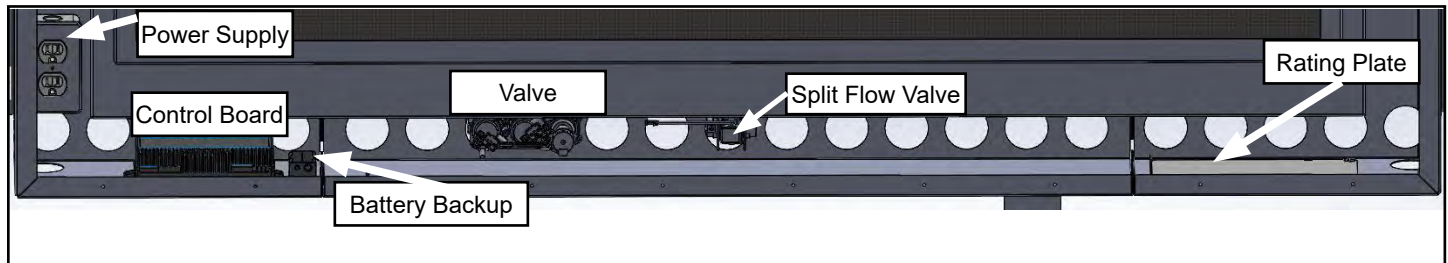


Figure 6.2.01:

Installation

6.3 Barrier Screen

Removal

To remove the screen, press down on the top of the screen and rotate the top of the screen out. Lift the screen to release the bottom tabs from the door frame.

Installation

To install the screen:

1. While holding the screen at an angle, press the bottom tabs on the screen frame on the inside edge of the door frame.
2. Rotate the top of the screen toward the fireplace.
3. Press down on the top of the screen and engage the top tabs with the inside edge at the top of the door frame.

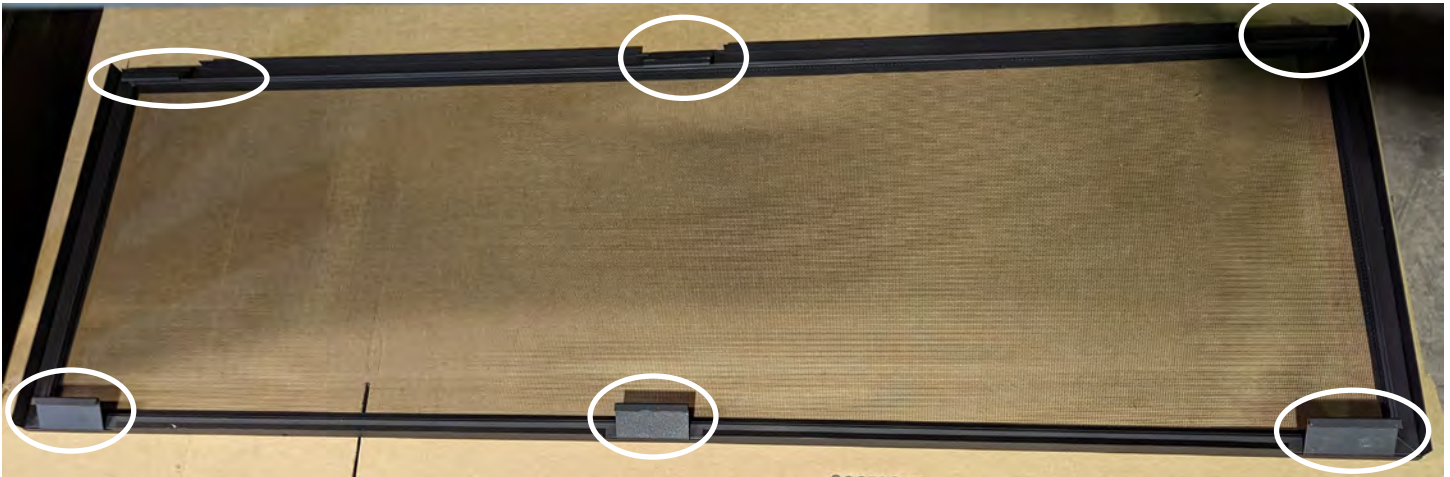


Figure 6.3.01: Screen retainer tabs



Figure 6.3.02:



Figure 6.3.03:

WARNING

DO NOT INSTALL THE BARRIER SCREEN WITH THE GLASS DOOR REMOVED.

If barrier becomes damaged, the barrier shall be replaced with the manufacturer's barrier for this appliance (Part Number: 57-BS).

Installation

6.4 Glass Door Installation

WARNING: Do not operate appliance with the glass front removed, cracked, or broken. Replacement of the glass should be done by a licensed or qualified service person. Do not attempt to remove the glass door when the appliance is hot. Be sure there are no fingerprints left on the glass panels during install or when cleaning as high temperatures can bake these prints on permanently. Inspect the door gasket to ensure no damage has occurred when installing the glass door.

Step 01: Hold the door at approximately a 30 degree angle. Lower the top of the door onto the top hooks.



Figure 6.4.01:

Step 02: Rotate the bottom toward the fireplace.



Figure 6.4.02:

Note: Make sure the door gasket doesn't roll up onto the top of the firebox.



Figure 6.4.03:

Step 03: Pull the door buckles under the firebox out and latch the bottom of the door.



Figure 6.4.04:

Removal is the reverse of installation.

If Your Glass Breaks

In the event your glass cracks or breaks, replace the original door assembly with replacement door assembly (part number 57-DB). The glass door and frame assembly must be replaced as a complete unit. Remove the barrier screen (See **Section 6.3**) and remove door as per the instructions above. Replace with new door assembly and reinstall the barrier screen.

NOTE: the NEW door will emit some odor when the appliance is lit. The odor will dissipate after the gasket material within the door has cured. Be sure there are no fingerprints left on the glass panels as high temperatures can bake these prints on permanently.

Warning: Only doors certified with the appliance shall be used. Do not use substitute glazing materials.

Installation

6.5 Accessing The Controls

The fireplace control board, gas valve, and split flow valve are located under the firebox, behind the fireplace surround. The surround is held in place with four mounting clips located at the outside corners of the fireplace at the top and near the center on the bottom (see **Section 15.0**).

To access the control board or valve, remove the fireplace surround by pulling the surround from the fireplace (see **Figure 6.5.01**).

See **Section 6.2** for an overview of the fireplace components.

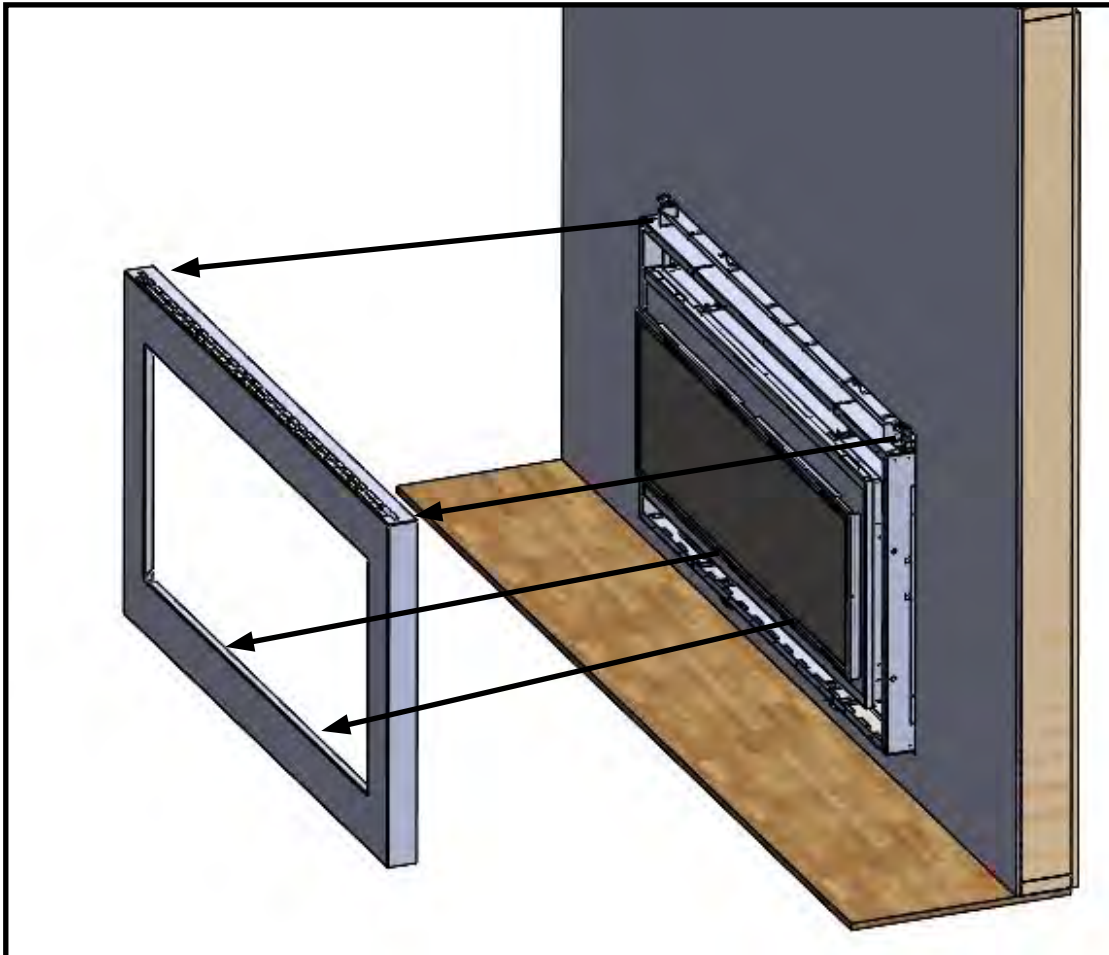


Figure 6.5.01:

Installation

7.0 Electrical Connections

The Excellence comes complete with an control module that receives commands from the remote control, allowing the height of the flame or split flow control to be adjusted from anywhere within the room.

Do not cut or remove the grounding prong from the main power supply plug.

CAUTION: Label all wires prior to disconnection when servicing.

NOTE: This appliance, when installed, must be electrically grounded in accordance with local codes or, in the absence of local codes, with the National Electrical Code, ANSI / NFPA 70, or the Canadian Electrical code, CSA C22.1.

Before you begin:

- Install the fireplace into the framing (see **Section 9** through **Section 13**)

To supply power to the fireplace:

Step 01: Locate the junction box on the lower, left side of the fireplace.



Figure 7.0.01

Step 03: Wire according to local code using the receptacle and electrical place included with this fireplace.



Figure 7.0.03

Step 02: Pass the household wiring through the holes in the fireplace and the strain relief in the junction box. Secure in place.

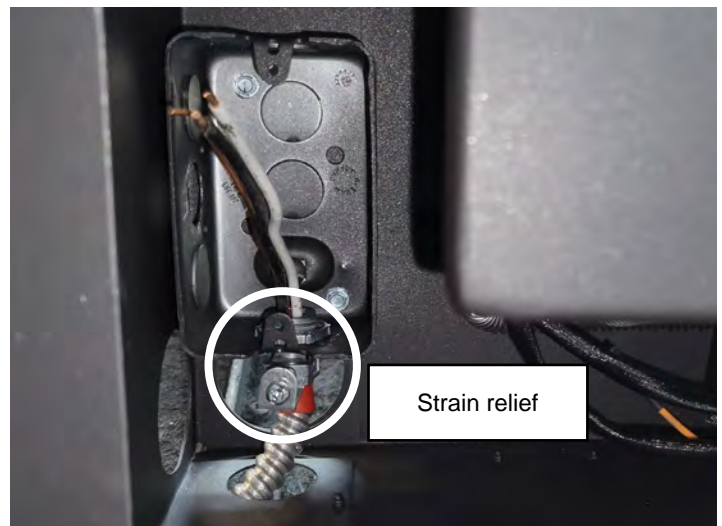


Figure 7.0.02

Step 04: Plug the three-pronged plug from the control board into the receptacle.



Figure 7.0.04

8.0 Fireplace Dimensions

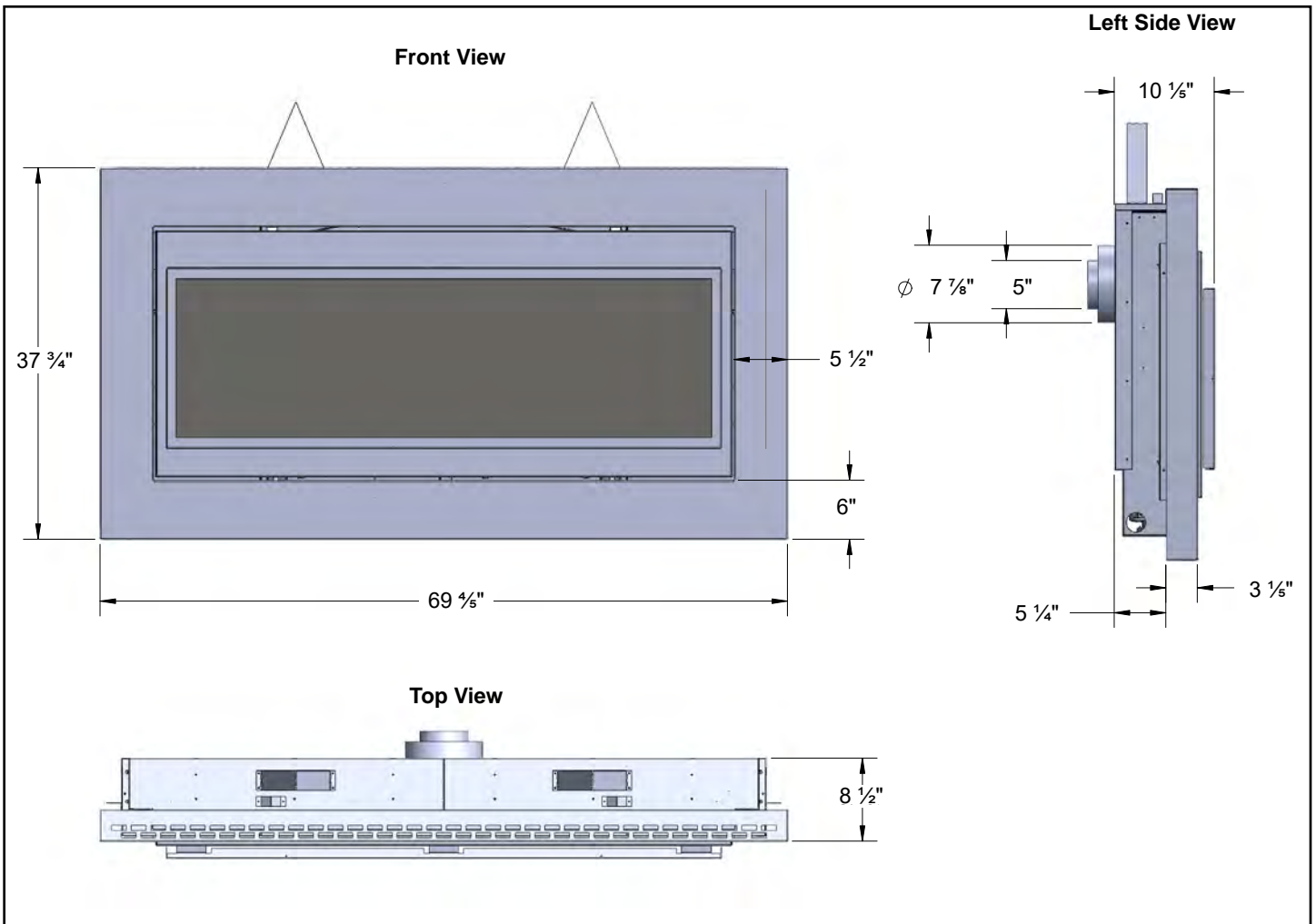


Figure 8.0.01: Dimensions fully installed with surround, door, and barrier screen

WARNING

All stand-off brackets must be attached to fireplace. Do not remove.

Installation

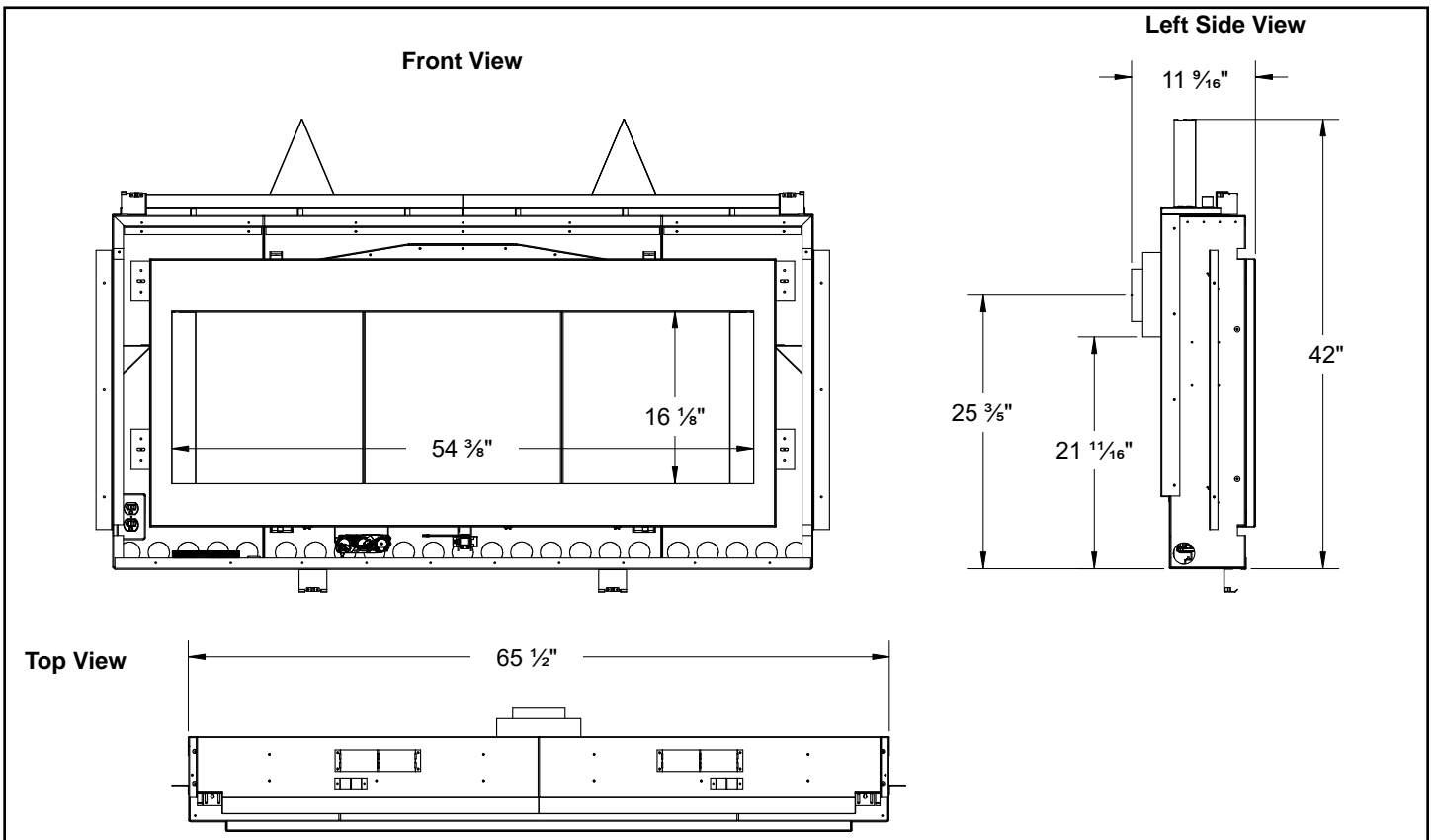


Figure 8.0.02: Dimensions fireplace only

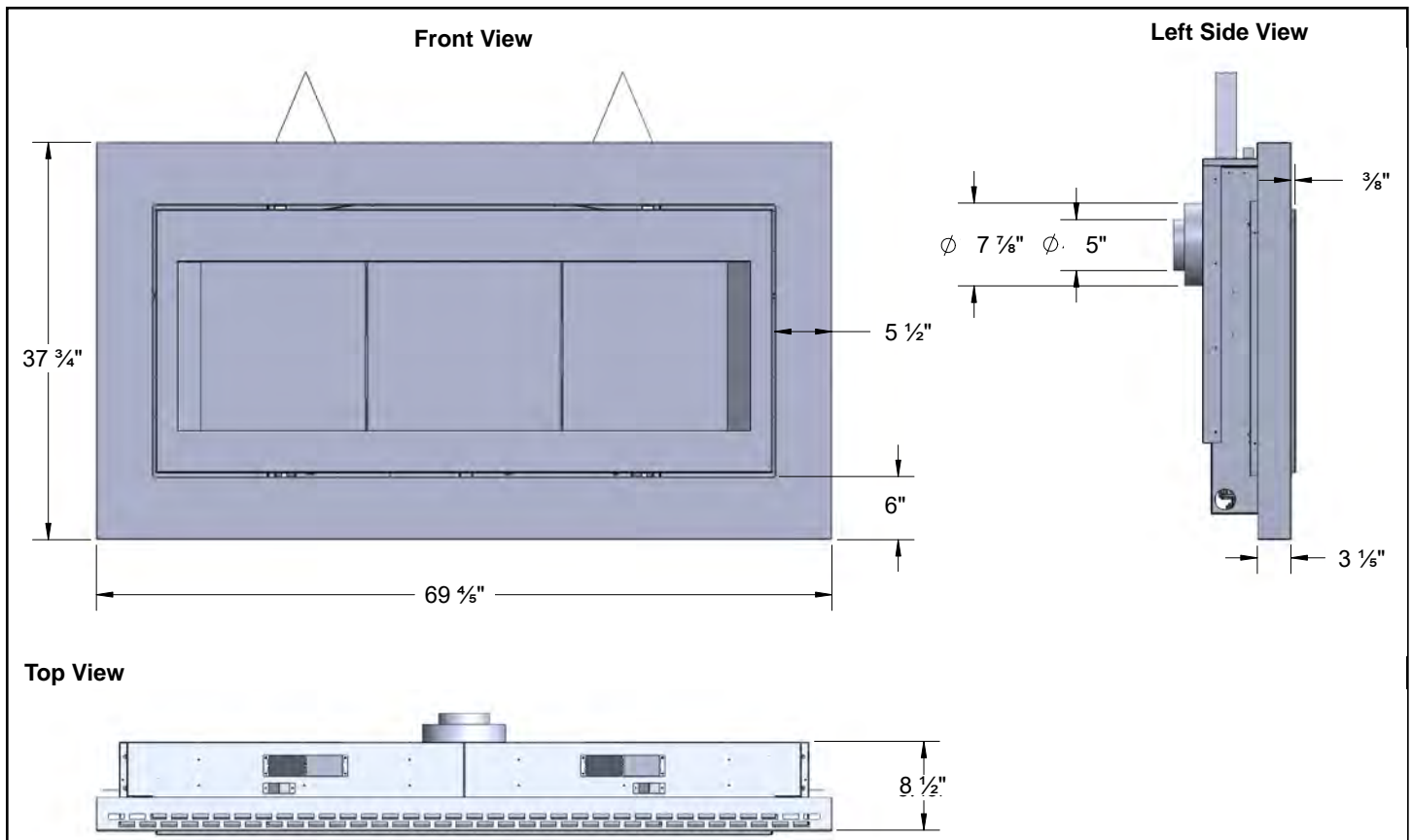


Figure 8.0.03: Dimensions fireplace with door (no barrier screen)

9.0 Prepare The Fireplace

9.1 Installation Overview

NOTE

This product must be installed by a qualified installer. The installer should follow the procedure best suited for each specific installation.

Typical Exterior Wall Installation:

1. Frame an opening for the fireplace, allowing for vent installation and type of installation (corner or flat wall application).
2. Install insulation if installing on an exterior wall.
3. Install wall thimble. Seal the thimble and insulation.
4. Attach standoffs and nailing flanges to fireplace.
5. Insert fireplace into framing and secure into place with nailing flanges.
6. Complete electrical hook-up.
7. Complete gas line installation.
8. Complete venting installation.
9. Install facing material.
10. Install hearth (if applicable).
11. Install surround clips.
12. Install the panel set.
13. Install the logs, glass door assembly, barrier screen, and surround.
14. Verify proper operation of fireplace and all components.

PLACEMENT CLEARANCE REQUIREMENTS

- This fireplace must be installed on a level surface capable of supporting the fireplace and venting
- Fireplace must be placed directly on wood or non-combustible surface (not linoleum or carpet) extending entire depth and width of fireplace
- Due to high surface temperatures, fireplace should be located out of traffic and away from furniture and draperies
- This fireplace may be installed in a bedroom (see local codes)
- Please be aware of the large amount of heat this fireplace will produce when determining a location

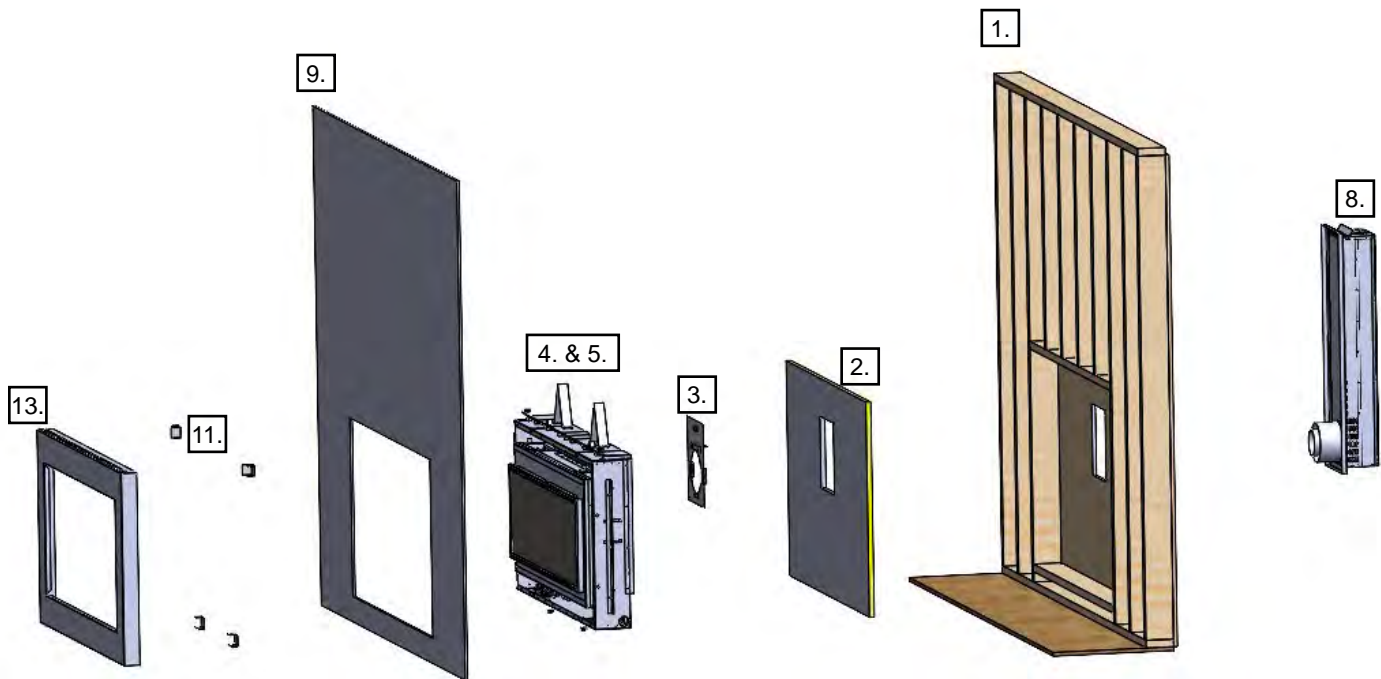


Figure 9.1.01:

Installation

9.2 Nailing Flange Installation

CAUTION

Always install nailing flanges regardless of installation variances.

Side Nailing Flanges

Attach the side nailing flanges to the sides of the fireplace using the (4) 1/4" tek screws included in the manual bag (two per side).

Depending on the facing material, the nailing flanges can be adjusted forward or backwards (see **Figure 9.2.01**).

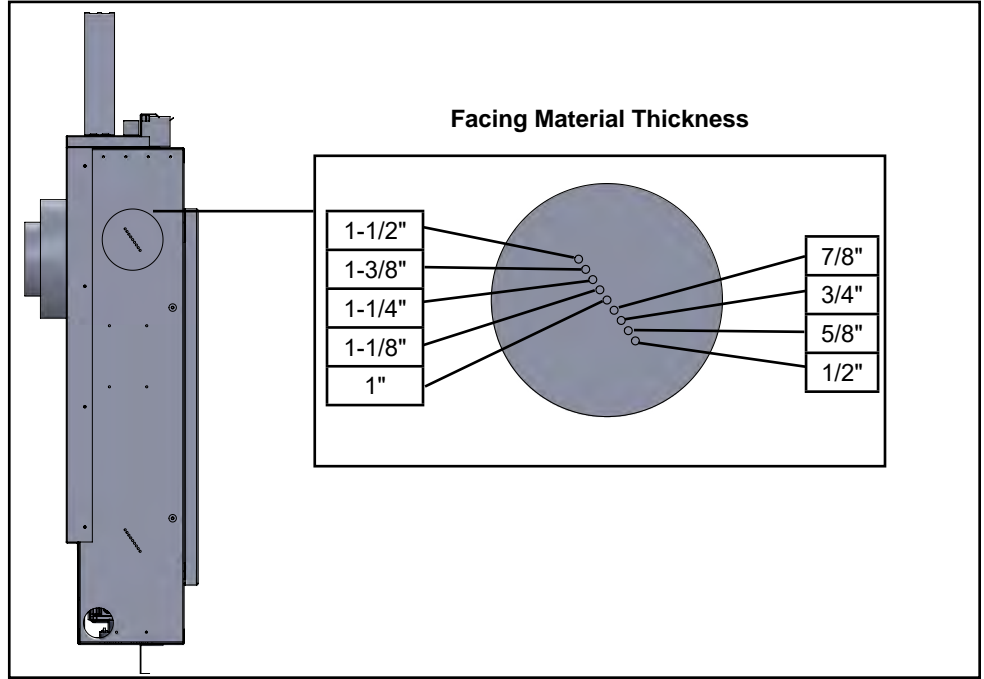


Figure 9.2.01:

Attaching the Side Nailing Flanges

When installing the flanges, be sure to install with the narrow edge on the fireplace and in the orientation shown in **Figure 9.2.02** and **Figure 9.2.03**.

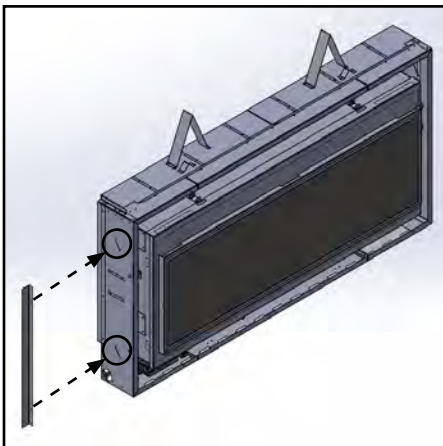


Figure 9.2.02:

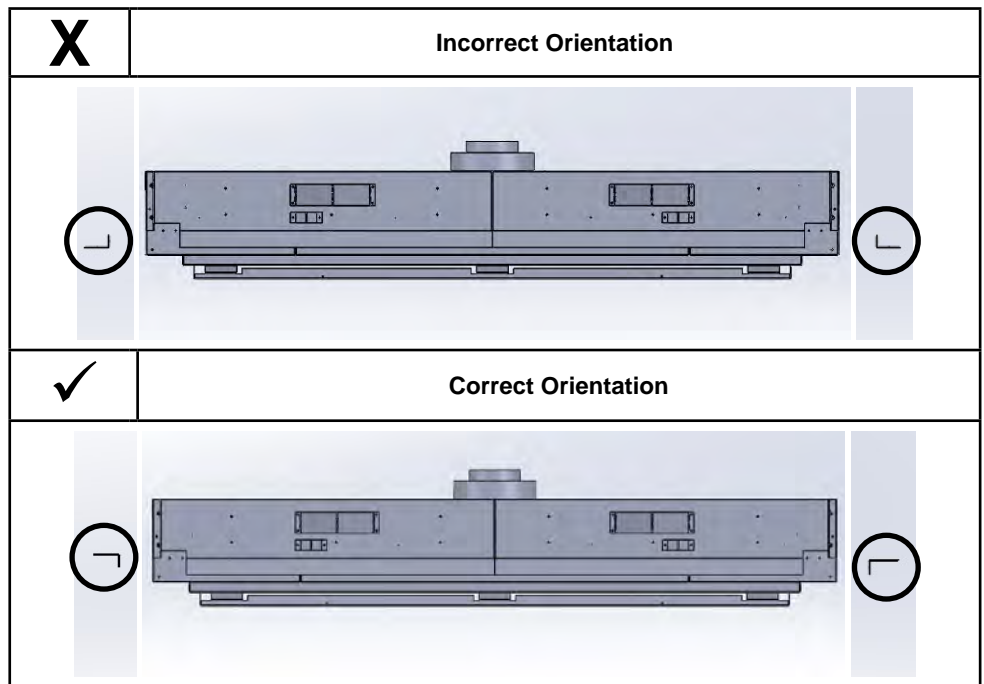


Figure 9.2.03:

Installation

9.3 Standoff Installation

CAUTION

Standoffs must be installed.

Two standoffs are included with each fireplace and must be installed prior to installing the fireplace.

Step 1: Align the standoffs with the inner holes on the top of the fireplace.

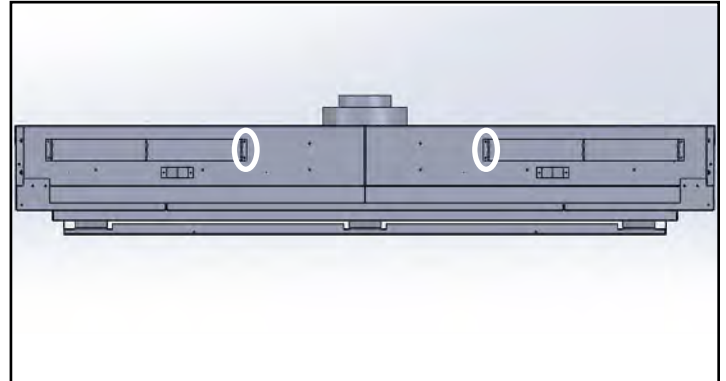
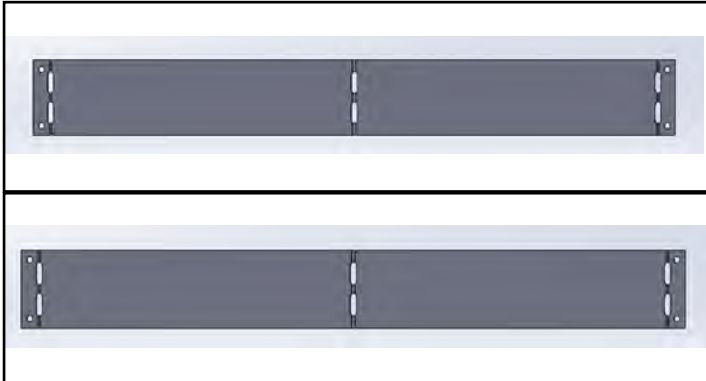


Figure 9.3.01:

Figure 9.3.02:

Step 2: Attach the standoffs at the inner holes using four (4) of the tek screws included with the fireplace.

Step 3: Bend the standoffs up.

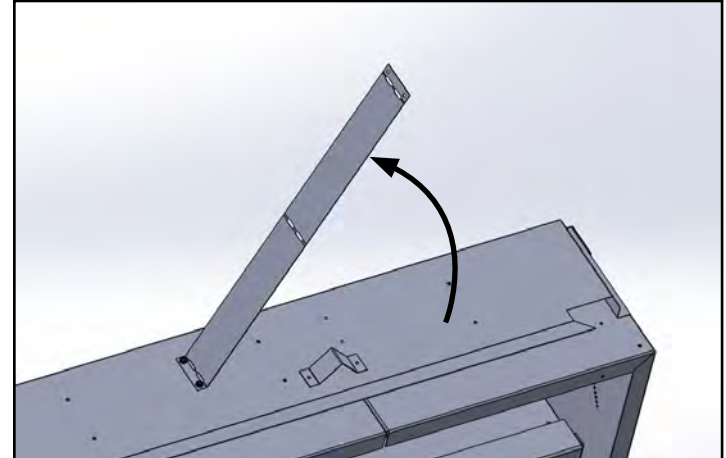
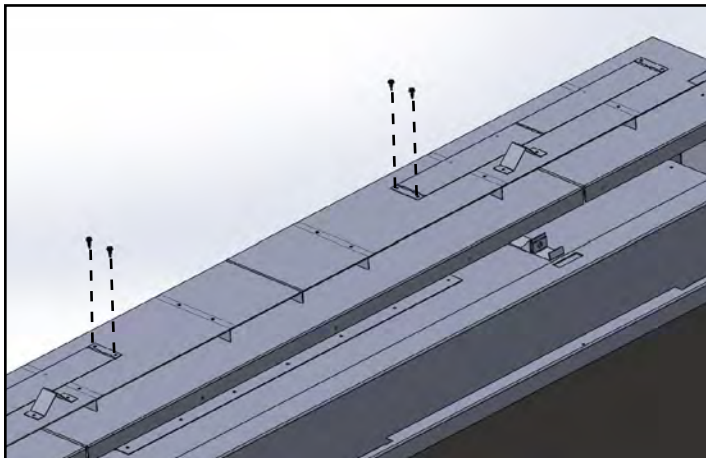


Figure 9.3.03:

Figure 9.3.04:

Step 4: Bend the standoffs down and align the other end with the outer holes on the top of the fireplace.

Step 5: Secure the other end of the standoffs with four (4) tek screws included with the fireplace.

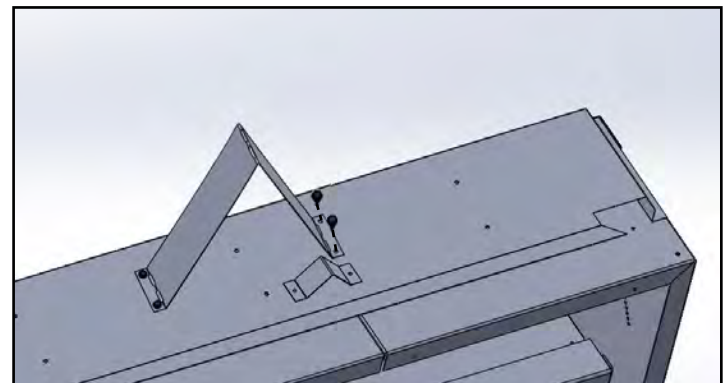
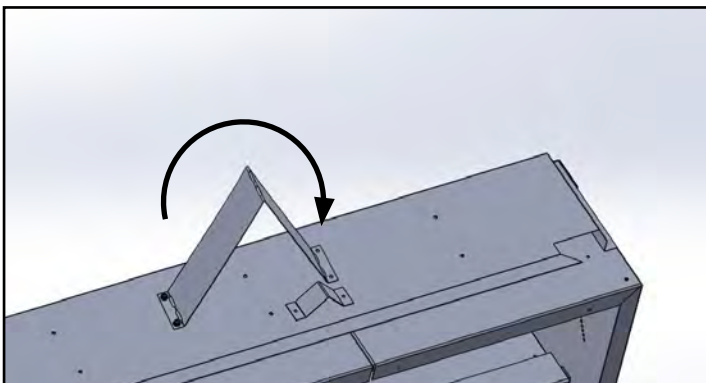


Figure 9.3.05:

Figure 9.3.06:

Installation

10.0 Venting Instructions

WARNING: Operation of this heater when not connected to a properly installed and maintained venting system can result in carbon monoxide (CO) poisoning and possible death. The appliance must not be connected to a chimney flue serving a separate solid fuel burning appliance.

WARNING

Consult the local and international codes to assure adequate combustion and ventilation air is available.
Flame height and appearance will vary depending upon venting configuration and type of fuel used.
Venting requirements apply to both Natural and LP gas.

Typical Interior Wall Installation:

Refer to the vent manufacturer's installation manual for complete installation instructions. Installation must conform with the venting requirements and restrictions as outlined in this manual. Provide a means for visually checking vent connection to fireplace after fireplace is installed.

(2) 45° degree elbows may be used in place of (1) 90° elbow. Always maintain a minimum 12" (305 mm) span between each 90° bend in the vent run.

Horizontal sections require 1/4" (6 mm) rise for every 12" (305 mm) of travel.

IF INSTALLING FLEX PIPE SYSTEMS:

- More than a 30 degree bend constitutes a 45 degree elbow
- More than a 45 degree bend constitutes a 90 degree elbow
- More than a 90 degree bend is not permissible

Third Party Horizontal Venting Specifications:

- A minimum 48" rise is required (see **Figure 10.1.02**)
- Horizontal sections require 1/4" (6 mm) rise for every 12" (305 mm) of travel
- Horizontal sections must be supported to prevent sagging. See vent manufacturer's installation manual for more information
 - As a general guideline; a flex line should be supported every 2 - 3' (609.6 - 914.4 mm) and rigid pipe should be supported every 4 - 6' (1219.2 - 1828.8 mm)
- This fireplace must be installed so as to prevent accumulation of condensate in the venting system

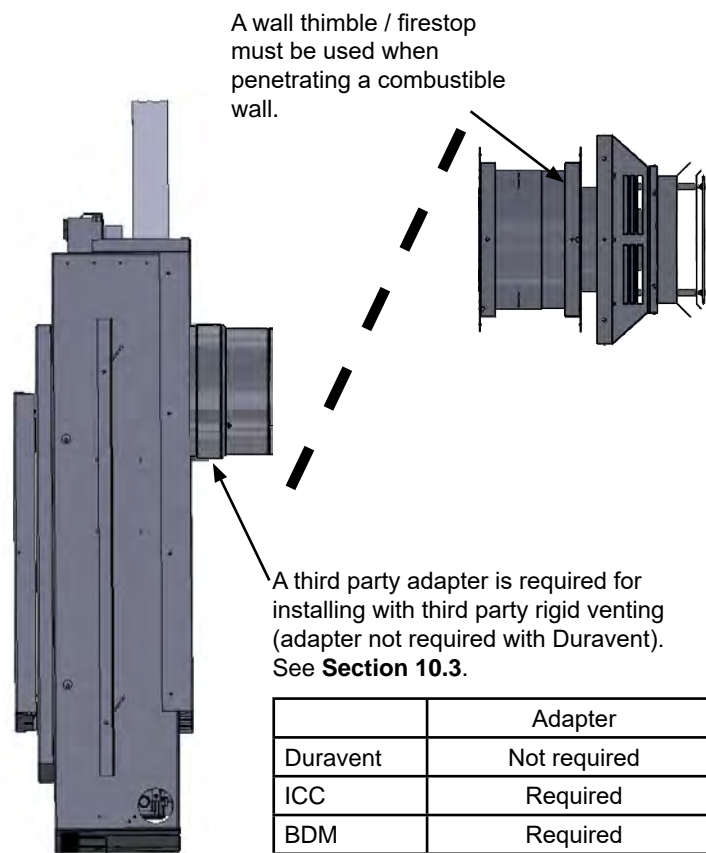


Figure 10.0.01:

	Adapter
Duravent	Not required
ICC	Required
BDM	Required
Selkirk	Required
Amerivent	Required

Installation

Archgard Venting Components:

999-DV-8HTCL

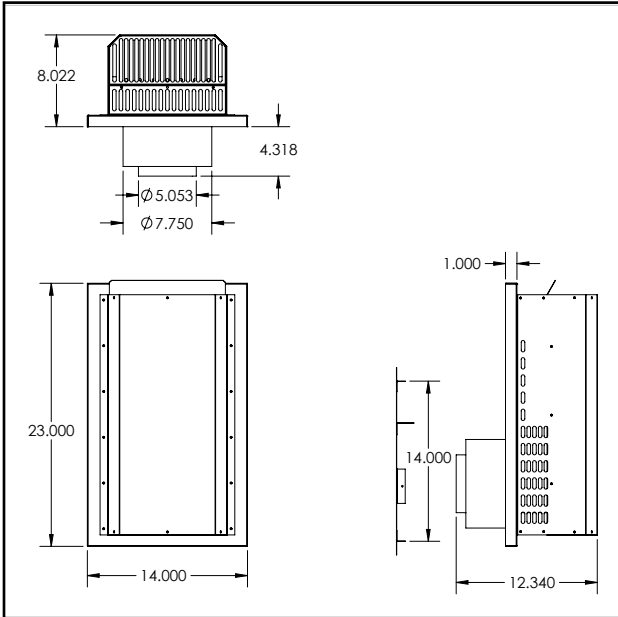


Figure 10.0.02:

999-DV-8HTCLT

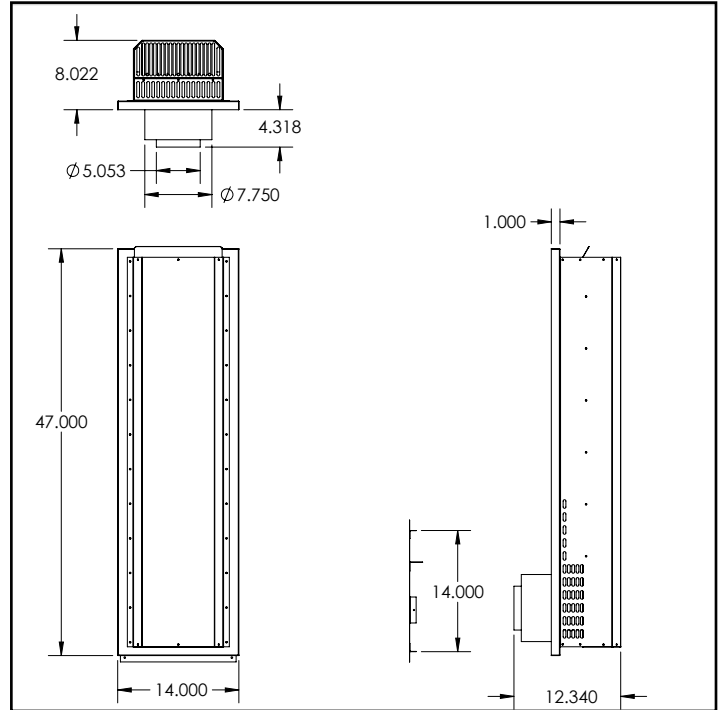


Figure 10.0.03:

Vertical Venting Specifications:

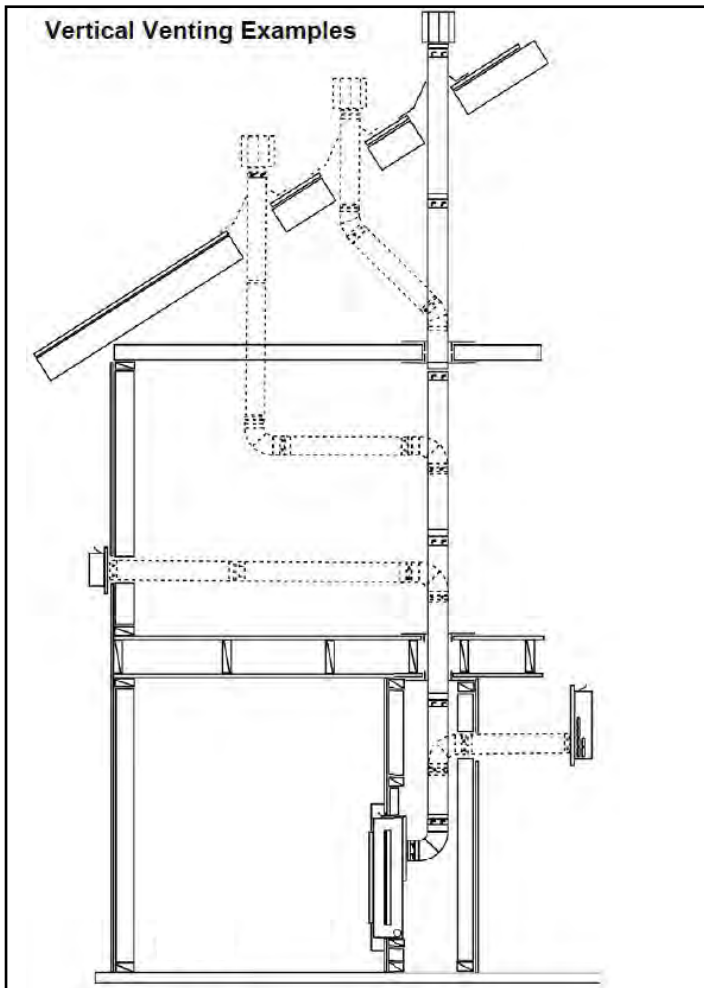


Figure 10.0.04:

Installation

Typical Venting Configuration

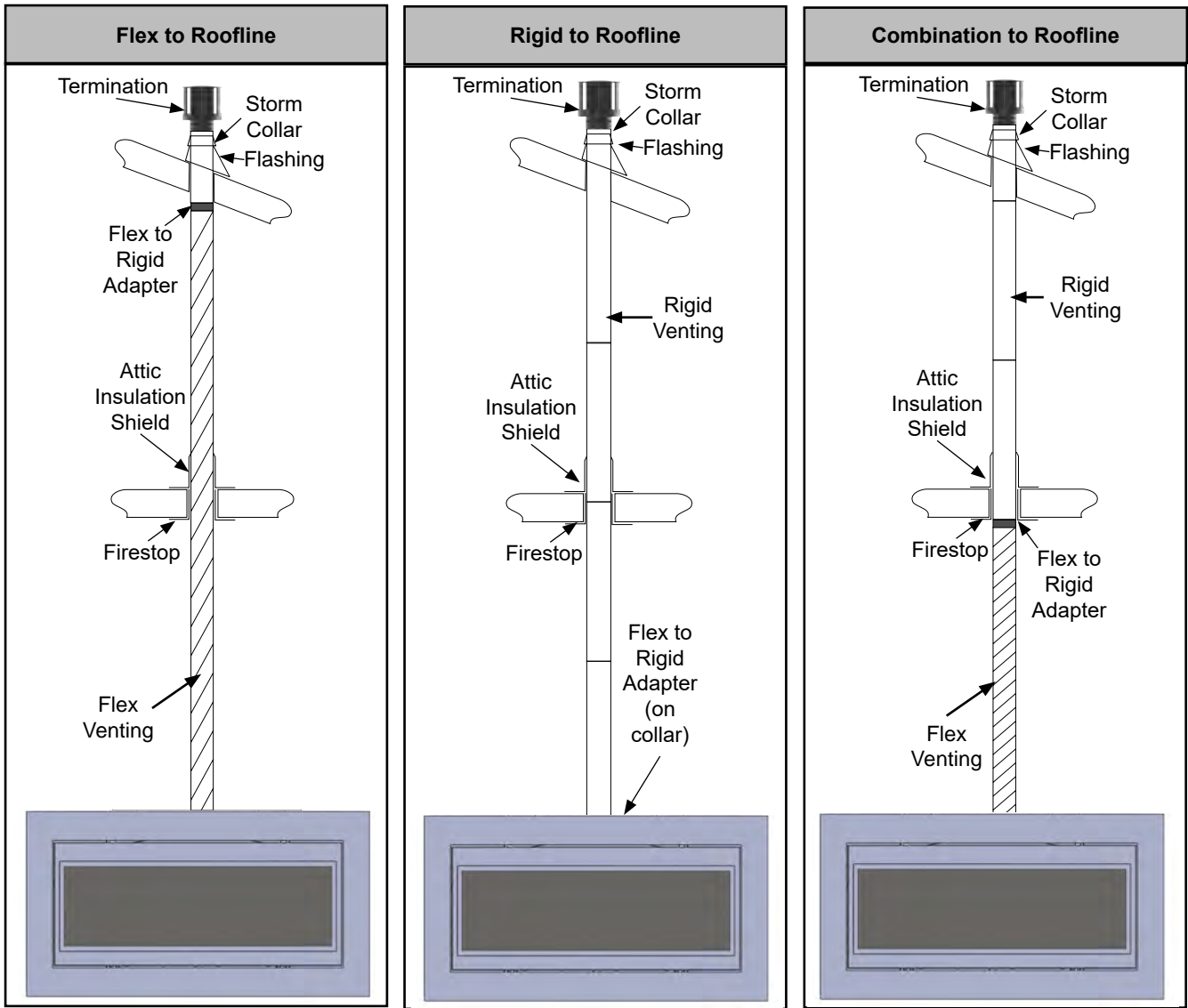


Figure 10.0.05:

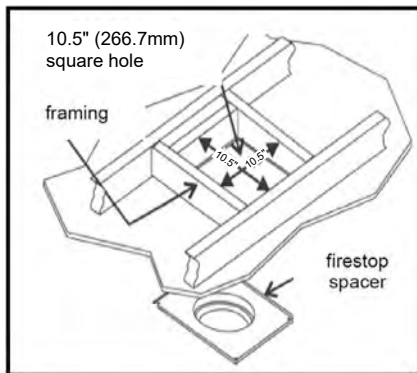


Figure 10.0.06: Firestop Framing

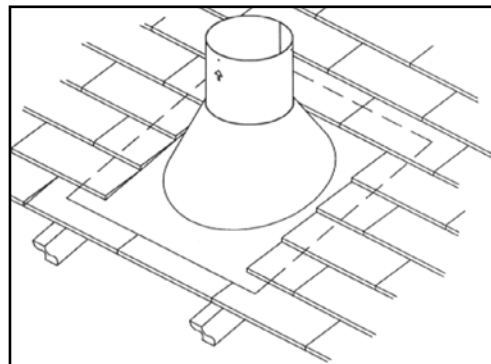


Figure 10.0.07: Flashing Installation

Installation

10.1 Vent Run Guide

Installations using 999-DV-8HTCL or 999-DV-8HTCLT

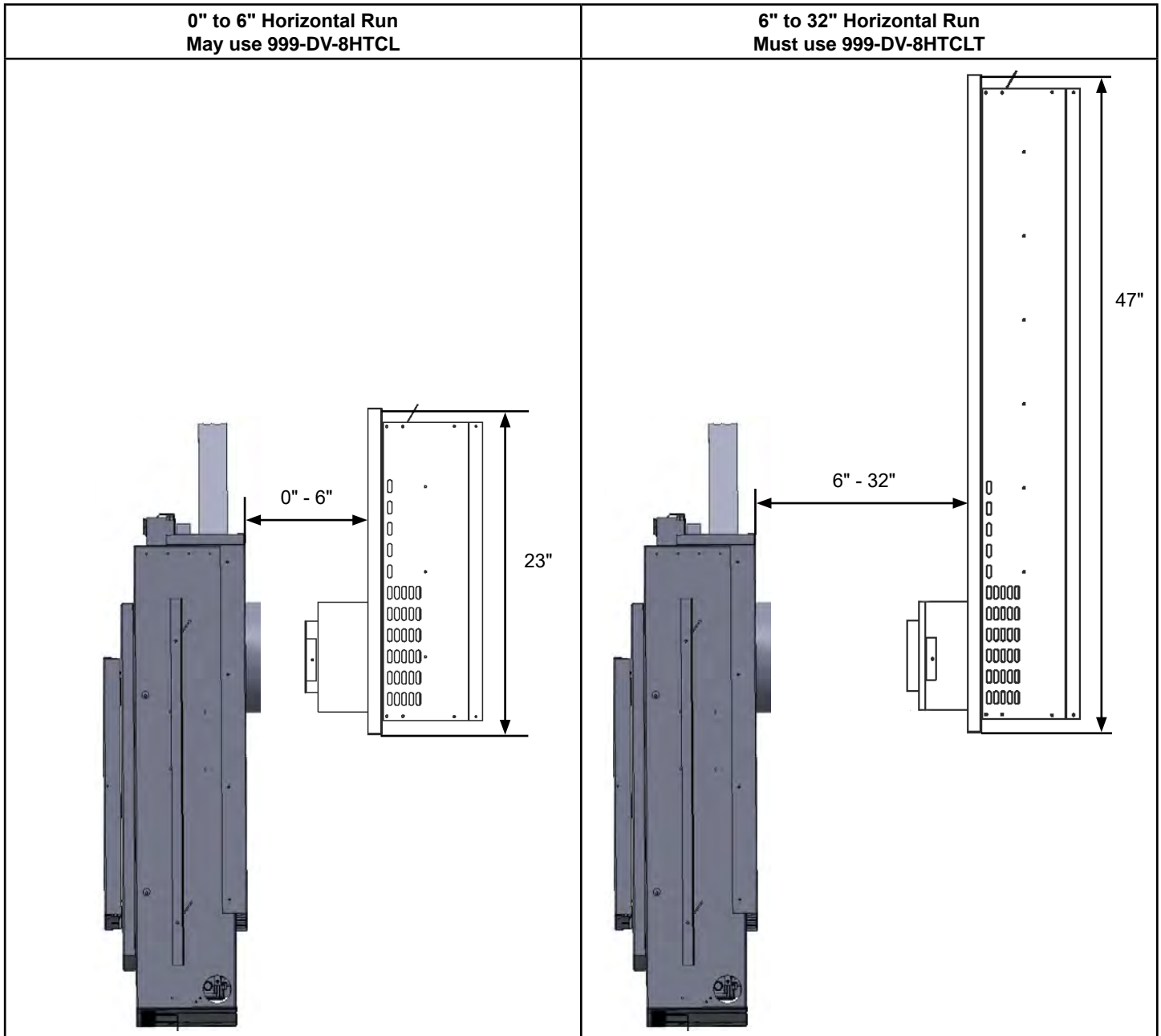
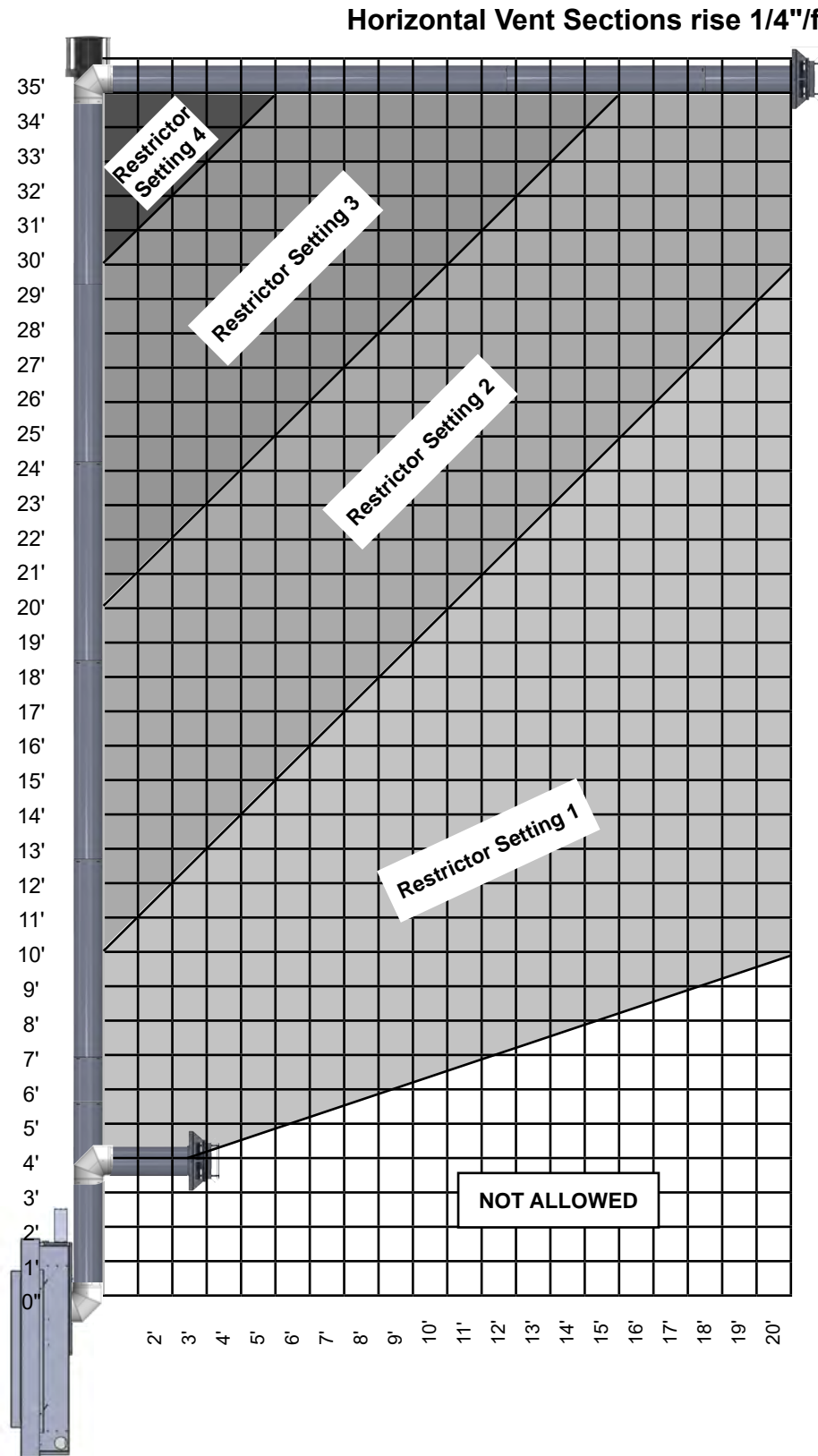


Figure 10.1.01

- A 0" - 6" horizontal run may use a 999-DV-8HTCLT
- Anything above a 6" horizontal run MUST use the 999-DV-8HTCLT
- The maximum allowable horizontal run is 32"
- See the next page for vent runs without 999-DV-8HTCL or 999-DV-8HTCLT
- The vent restrictor should be in position 1 (see **Section 10.2**). Complete removal of the vent restrictor may be necessary to achieve the flame pattern described in **Section 19.5** depending on factors unique to the installation
- Archgard terminations will not work with third party venting

Installation

Installations without 999-DV-8HTCL or 999-DV-8HTCLT



- Vent height is measured from the vent collar on the back of the fireplace
- Maximum horizontal elbows allowed = 3
- If more than 2 90° elbows are used horizontally, maximum horizontal is reduced by 1'
- Two 45° elbows = one 90° elbow
- Always maintain a minimum 12" span between each 90° bend in the vent run
- See **Section 10.5** for snorkel use
- See the previous page for installations using 999-DV-8HTCL or 999-DV-8HTCLT

Check the flame to modify the restrictor position and ensure the correct setting is used.

Figure 10.1.02:

Installation

10.2 Vent Restrictor Installation

This fireplace is shipped with the restrictor installed in Section 1. Follow the chart in **Section 10.1** for recommended settings based on venting configuration. It is important to remember each installation is unique and affected by various factors including venting configuration, altitude and climate. Therefore, after fireplace installation is complete, restrictor adjustments may be necessary. Use the following steps to adjust the vent restrictor.

Before installation:

- **Disconnect gas and electrical supply to the fireplace (including backup batteries)**
- Remove the barrier screen (see **Section 6.3**)
- Remove the glass door assembly (see **Section 6.4**)
- Remove the Baffle (see **Section 16.0**)
- Remove the middle rear steel panel (see **Section 16.0**)

Setting 1: Install the vent restrictor using to top holes for restrictor setting 1.

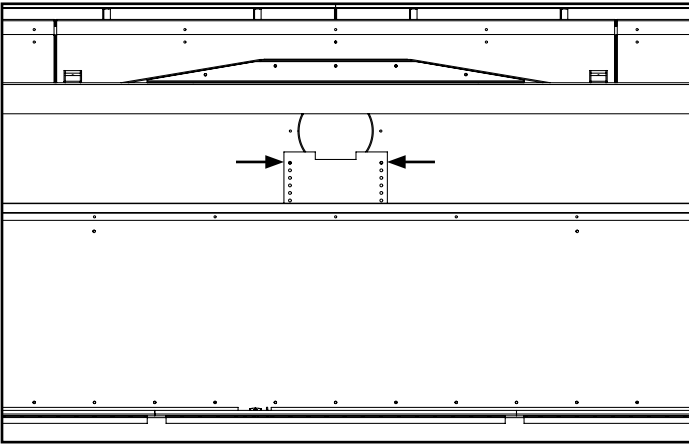


Figure 10.2.01:

Setting 2: Install using the third holes for restrictor setting 2.

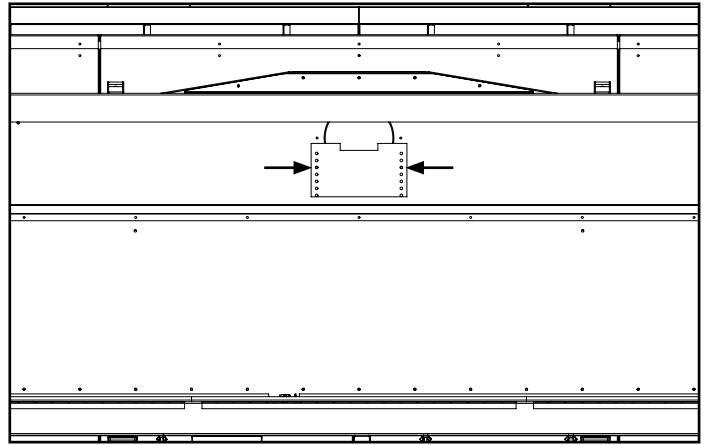


Figure 10.2.02:

Setting 3: Install using the fifth holes for restrictor setting 3.

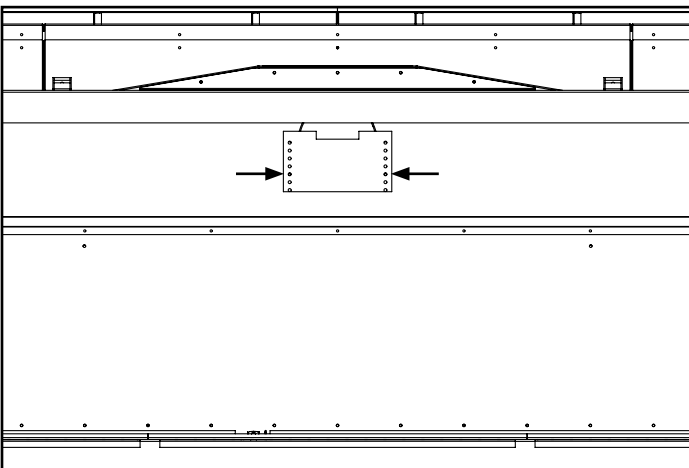


Figure 10.2.03:

Setting 4: Install using the bottom holes for restrictor setting 4.

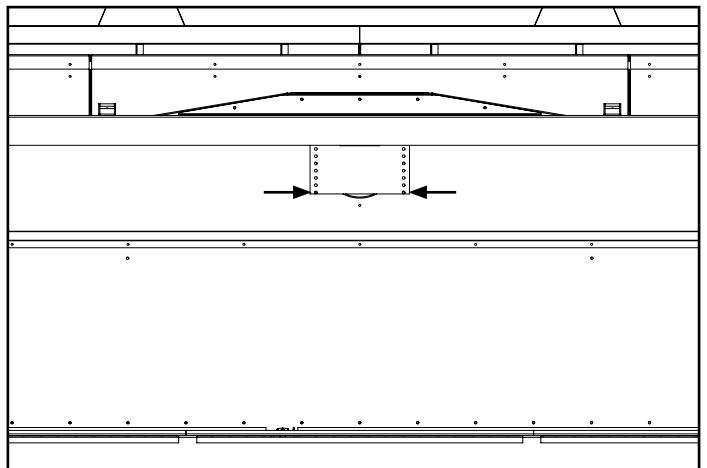


Figure 10.2.04:

Installation

10.3 Third Party Venting Components

	BDM	Selkirk	Duravent	ICC	Amerivent
Adapters					
Appliance Adapter	TBD	5DT-AA	N/A	TM-5AA7	5DSC-N
5" x 8" Hard Pipe					
6"	DVR8-06	5DT-06	58DVA-06	5DL6	5D7 (7")
9"	DVR8-09	5DT-09	58DVA-09	5DL9	---
12"	DVR8-12	5DT-12	58DVA-12	5DL1	5D12
18"	DVR8-18	5DT-18	58DVA-18	---	---
24"	DVR8-24	5DT-24	58DVA-24	5DL2	5D2
36"	DVR8-36	5DT-36	58DVA-36	5DL3	5D3
48"	DVR8-48	5DT-48	58DVA-48	5DL4	5D4
60"	---	---	58DVA-60	---	---
5" x 8" Pipe Extension					
Short Extension	DVR8-08A (4" to 8.5")	5DT-AJ12 (4" to 10")	58DVA-08A (3" to 7")	5DLS1 (1 7/8" to 9")	5D7A (3" to 5")
Long Extension	DVR8-16A (4" to 16")	---	58DVA-16A (3" to 14 1/2")	5DLS2 (1 7/8" to 21")	5D12A (3" to 10")
	---	---	---	---	5D16A (3" to 14")
	---	---	---	---	5D26A (3" to 24")
5" x 8" Adjustable (Telescopic) Pipe					
Short Adjustable	---	---	58DVA-17TA (9 1/2" to 15 1/2")	---	---
Long Adjustable	---	---	58DVA-24TA (15 1/2" to 22 1/2")	DLA30 (16 1/2" to 29")	---
5" x 8" Hard Elbows					
30 degree	DVR8-E30	---	58DVA-E30	5DE30	---
45 degree	DVR8-E45	5DT-EL45	58DVA-E45	5DE45	5D45L
60 degree	DVR8-E60	---	58DVA-E60	---	---
90 degree	DVR8-E90	5DT-EL90	58DVA-E90	5DE90	5D90L
Slip 90 Degree Elbow	---	---	---	5DE90S	---
Wall Strap	DVR8-WS	5DT-WS/B	58DA-WS	WS (universal)	5DWS
Elbow (Offset) Strap	DVR8-ES	5DT-OS	58DVA-ES	OS (universal)	5DWS
Wall Thimble	DVR8-WTU	5DT-WT / 5DT-WT-1	58DVA-WT	5WT	5DWTS / 5DWT
Vinyl Siding Standoff	DVR8-VSS	5DT-VSK / 5DT-VSKB (for 5DT-HCR) 5DT-VSS / 5DT- VSSB or 5DT-VS / 5DT-VS-1 (for 5DT-HC)	58DVA-VSS	VSS (universal)	5DHVSB / 5DH- VSK or 5DVSL (for 5DHCS) 5DVSB or 5DVSK (for 5DHC)
Counter Flashing	---	---	58DVA-CFK	---	---
Counter Flashing Stainless	DVR8-CFK-SS	---	58DVA-CFK-S	---	---
Firestop Spacer	---	5DT-FS	---	---	---
Ceiling Firestop	DVR8-DC	5DT-CS	58DVA-FS	5CS	5DFSP
Attic Insulation Shield	DVR8-AIS	5DT-AIS	58DVA-IS	5AS	5DAIS12 or 5DAIS36

Installation

Third Party Venting Components (cont'd)

	BDM	Selkirk	Duravent	ICC	Amerivent
Roof Flashings					
0/12 to 6/12 Pitches	DVR8-AF012	5DT-AF6	58DVA-F6	6EFA (1/12 to 7/12)	5DF (Flat to 5/12)
6/12 to 12/12 Pitches	DVR8-AF712	5DT-AF12	58DVA-F12	6EFB (8/12 to 12/12)	5DF12
Flat Roof	DVR8-TCF	---	58DVA-FF	6EF (Flat - 2/12)	---
Metal Roof Flashings					
0/12 to 6/12 Pitches	---	URBAK (rubber boot flashing)	58DVA-F6DS	6EMFA	TLCRBF or TLCMRFK
7/12 to 12/12 Pitches	---	URBAK (rubber boot flashing)	58DVA-F12DS	6EMFB	TLCRBF or TLCMRFK
Storm Collar	DVR68-SC	5DT-SC	58DVA-SC	SC (universal)	5DSC
Horizontal Terminations					
Horizontal Square Termination (Aluminum)	DVR8-HCP (Rigid)	5DT-HC / 5DT-AHC	58DVA-HC	TM-5HT	5DAHCS or 5DHCS
Horizontal Square Termination (Stainless)	---	---	58DVA-HC-S	---	---
Horizontal Square Termination (Copper)	---	---	58DVA-HC-C	---	---
Horizontal Termination Other	DVF8-HCP (Flex)	---	---	TM-5RHT	---
Horizontal Round Termination (Aluminum)	---	5DT-HCR	58DVA-HRCS	---	5DHC
Snorkels					
14" Snorkel	DVR8-SNK14	5DT-ST14	58DVA-SNK14	5ST14	5D14S
36" Snorkel	DVR8-SNK36	5DT-ST36	58DVA-SNK36	5ST36	5D36S
Horizontal High Wind Guard	DVR8-SHRD	---	58DVA-WG	5HTS / 5RHTS	5DHWS
Vertical Terminations					
Vertical High Wind Termination	DVR8-VCH	5DT-VT or 5DT-VC	58DVA-VCH	5SVT	5DVC
Vertical High Wind Guard	DVR68-VWG	---	46DVA-VWG	5SVTS	---
Flex Venting					
8" 25ft	95270825	1780250	8DFA-25	---	1780250
8" 35ft	95270835	1780350	8DFA-35	---	1780350
8" 50ft	---	---	8DFA-50	---	---
5" 25ft	95270525	1750250	8DFA-25	---	1750250
5" 35ft	95270535	1750350	8DFA-35	---	1750350
5" 50ft	---	---	8DFA-50	---	---

Horizontal Safety Cages		
Archgard	999-DV-SCU	Termination Safety Cage - Universal (14¾" W x 14¾"H x 10¼"D)
BDM	940164SHRD	BDM Termination Safety Cage

ATTENTION

NO OTHER VENTING SYSTEM OR COMPONENTS MAY BE USED.

Part numbers shown are correct at the time of printing and should be confirmed with the manufacturer prior to purchase.
Follow manufacturer instructions for installation of termination.

Installation

10.4 Termination Location Clearances

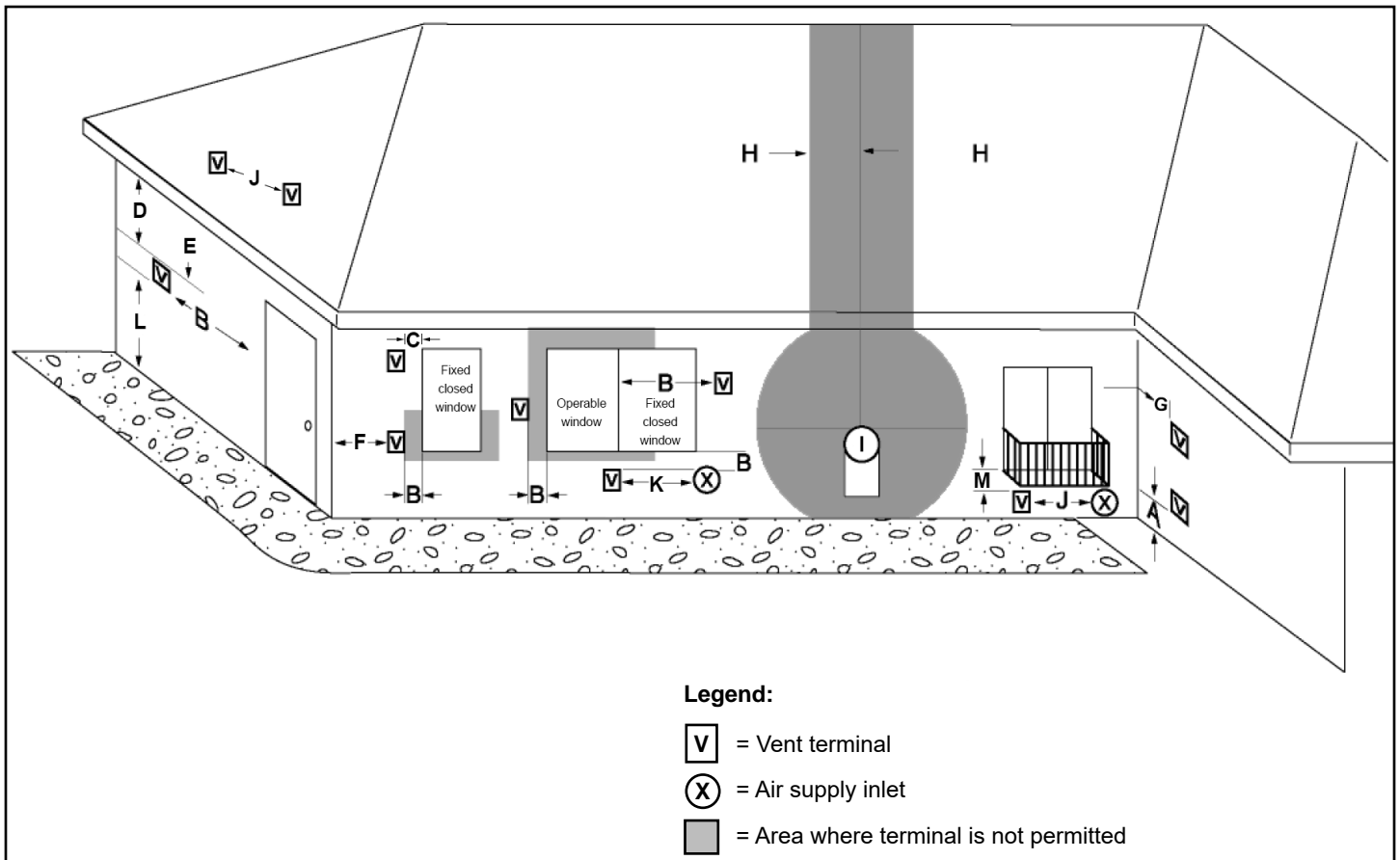


Figure 10.4.01:

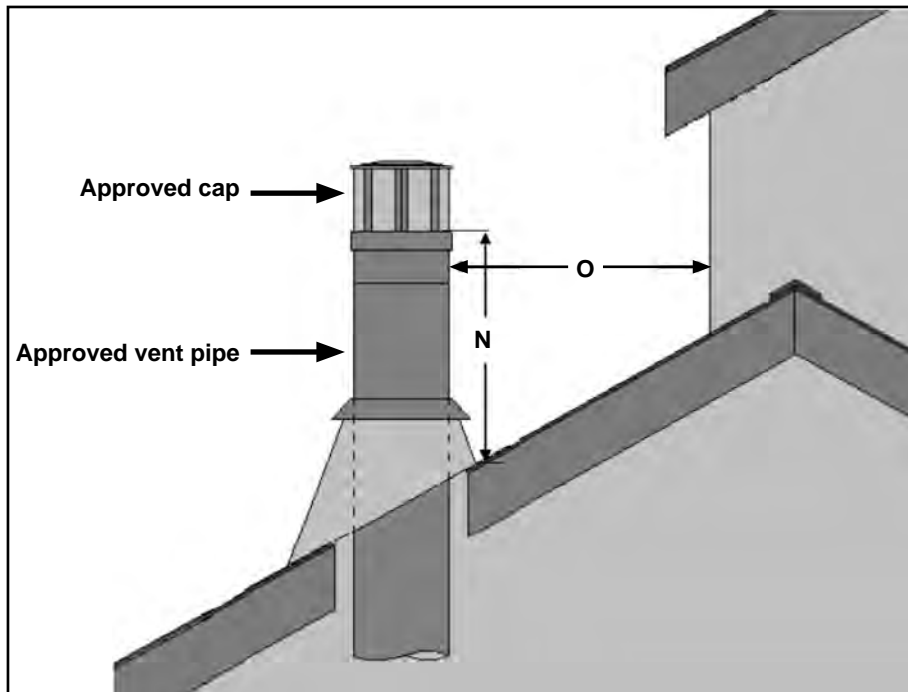


Figure 10.4.02:

Installation

		Canadian Installations ¹	US Installations ²
A	Clearance above grade, veranda, porch, deck, or balcony	12" (305 mm)	12" (305 mm)
B	Clearance to window or door that may be opened	9" (229 mm)	9" (229 mm)
C	Clearance to permanently closed window*	*	*
D	Vertical clearance to ventilated soffit	18" (457.2 mm)	*
E	Clearance to unventilated soffit	18" (457.2 mm)	18" (457.2 mm)
F	Clearance to outside corner	12" (305 mm)*	12" (305 mm)*
G	Clearance to inside corner	12" (305 mm)*	12" (305 mm)*
H	Clearance to each side of center line extended above meter / regulator	6' (1.8 m)	*
I	Gas service regulator vent outlet	3' (914 mm)	*
J	Clearance to non-mechanical air supply inlet to building or the combustion air inlet to any other appliance	12" (305 mm)	9" (229 mm)
K	Clearance to mechanical air supply inlet	6' (1.83 m)	3' (914 mm) above if within 10' (3.05 mm)
L	Clearance above paved sidewalk or driveway located on public property.	* †	*
M	Clearance under veranda, porch, deck, or balcony.	12" (305 mm) ‡	*
N	Minimum clearance from roof to lowest discharge opening.	18" (457 mm)	18" (457 mm)
O	Clearance from vertical vent to adjacent wall.	24" (610 mm)	24" (610 mm)

Notes:

1) In accordance with the current CSA B149.1, Natural Gas and Propane Installation Code.

2) In accordance with the current ANSI Z223.1/NFPA 54, Natural Fuel Gas Code.

• Recommended to prevent condensation on the window.

* For clearances not specified and ANSI Z223.1/NFPA 54 or CSA B149.1, clearance must be in accordance with local installation codes and the requirements of the gas supplier.

† A vent shall not terminate directly above a sidewalk or paved driveway that is located between two single family dwellings and serves both dwellings.

‡ Permitted only if veranda, porch, deck, or balcony is fully open on a minimum of two sides beneath the floor.

WARNING

A safety cage may be required to cover a horizontal termination if the termination is located near a walkway. See local codes.

10.5 Snorkel Termination Installation

- Follow snorkel termination manufacturer's installation instructions and local codes
- The vertical rise of a snorkel termination can be used in place of a vertical vent rise. Follow the snorkel termination manufacturer's information for installation
- A snorkel counts as two 90° elbows out of the total number of allowable elbows in the vent run. For example, the installation in **Figure 10.5.01** shows the use of 2 90° elbows
- Ensure there is enough vertical venting to accommodate the number of elbows used. run refer to **Section 10.1**
- If the snorkel termination is installed below grade, (IE: basement) proper drainage must be provided to prevent water from entering the snorkel termination (see **Figure 10.5.01**)
- Do not attempt to enclose the snorkel termination in the wall or any other type of enclosure
- Do not locate snorkel termination where excessive snow or ice build up may occur. Check snorkel termination area after every snow fall and clear if necessary to prevent blockage. If using snow blowers, make sure snow is not directed at the snorkel termination

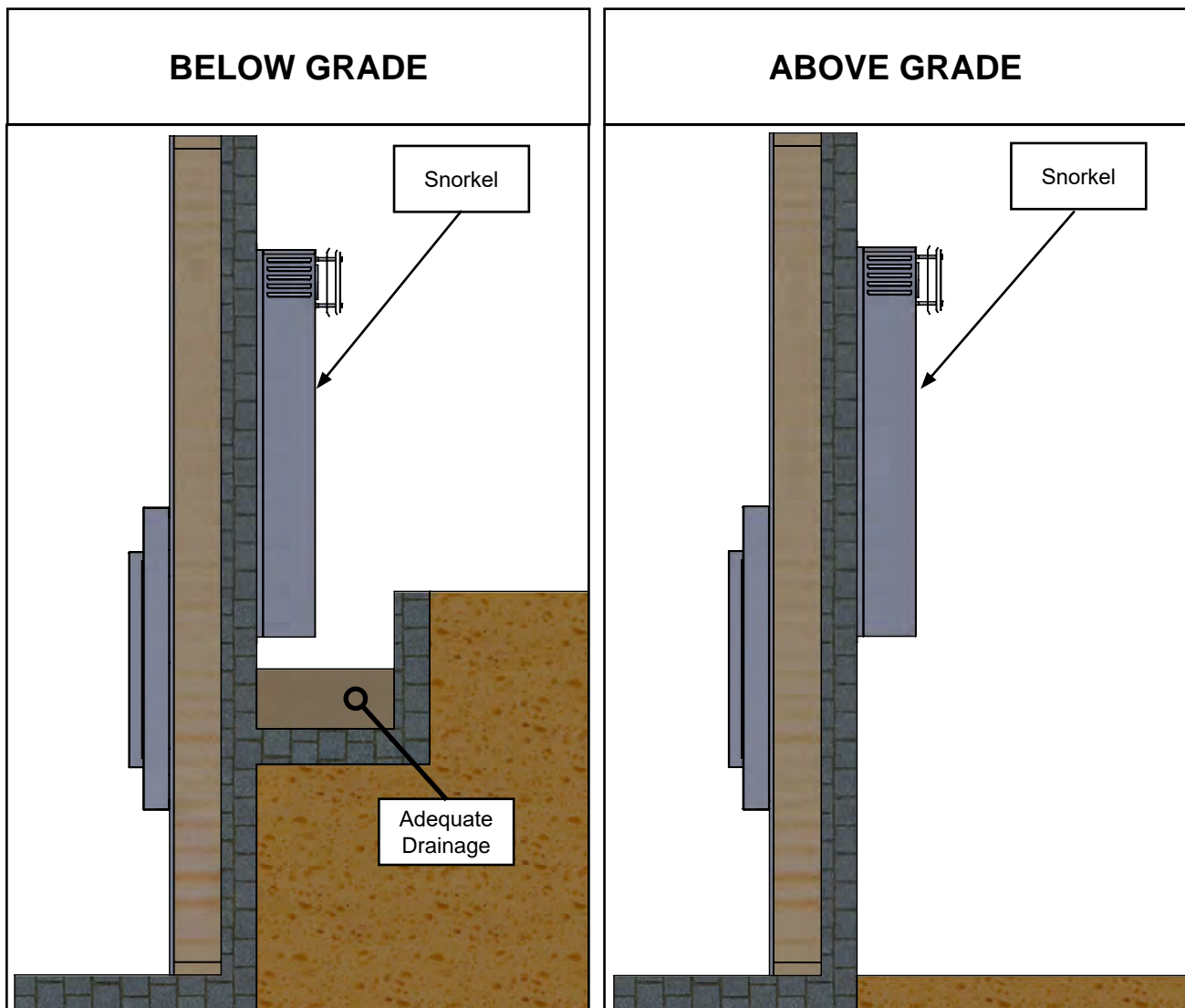


Figure 10.5.01

Installation

11.0 Framing

11.1 Wall Enclosure Rough Opening

IMPORTANT

Framing dimensions should allow for wall covering thickness and fireplace facing materials. If using a hearth, adjust rough opening size as necessary to maintain at least minimum clearance requirements.

WARNING

Provide adequate clearances around air openings into the combustion chamber. Do not obstruct upper and lower grill openings. Room air enters through lower passage, is heated and exits through upper passage. Blocking these passages may result in overheating, creating a potentially hazardous situation.

Determine exact position of your fireplace, including hearth height, width, and depth (if applicable). If possible, place fireplace in such a manner that vent termination will be between two studs, eliminating the need for additional framing.

Consider height of hearth finish material (stone, brick etc.) when building fireplace platform.

Install fireplace on hard metal or wood surface extending the full width and depth of fireplace.

If masonry is to be used (optional), prepare the necessary foundation for the masonry load. When masonry construction is used, a lintel iron must be used over top of fireplace to support the added weight. Never use this fireplace to support additional weight.

Build hearth to desired size and height. If a hearth extension is desired, combustible material may be used. See **Section 12.3**.

FIRE HAZARD

DO NOT install directly on carpet, vinyl, or any combustible material other than wood.

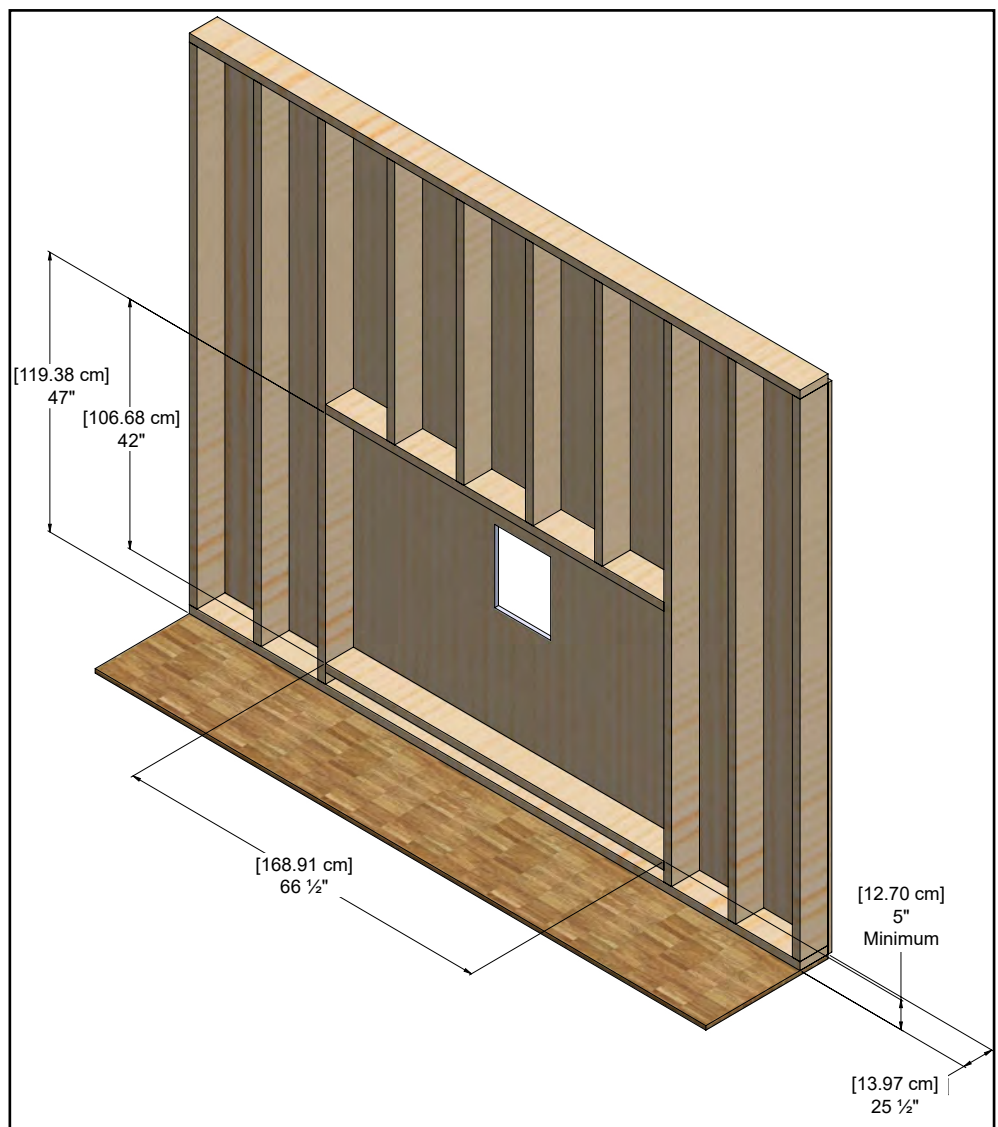


Figure 11.1.01

Installation

Framing the Fireplace Opening

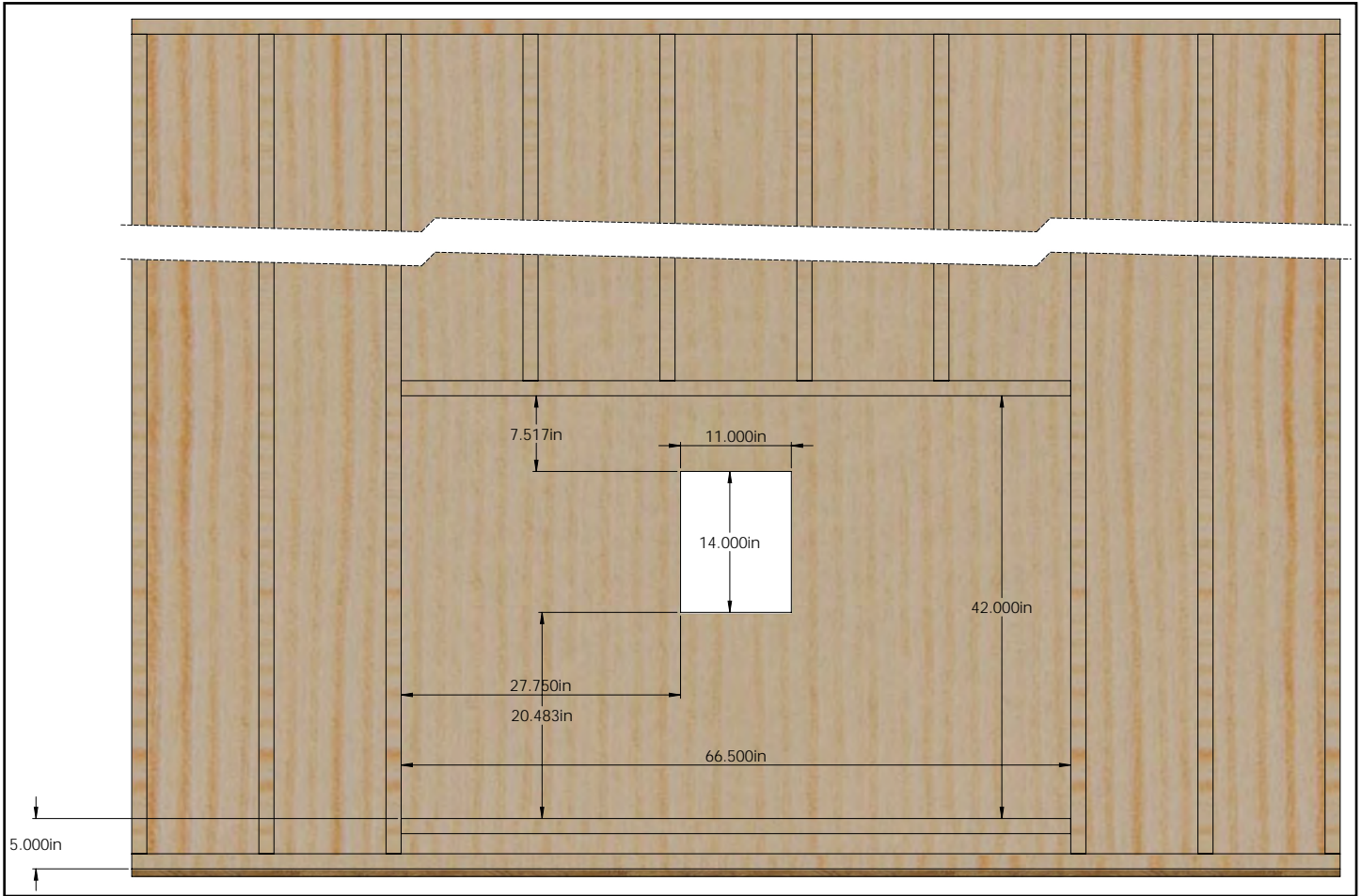


Figure 11.1.02

Installation

11.2 Typical Corner Installation

Dimensions shown in **Figure 11.2.01** are when using 1/2" wall board. If using a facing material that is an alternative thickness, refer to the table below for appropriate dimensions. The installation shown on this page shows Duravent venting connected directly to fireplace (no adapter required).

Refer to **Section 9.2** for information on nailing flange settings and installation.

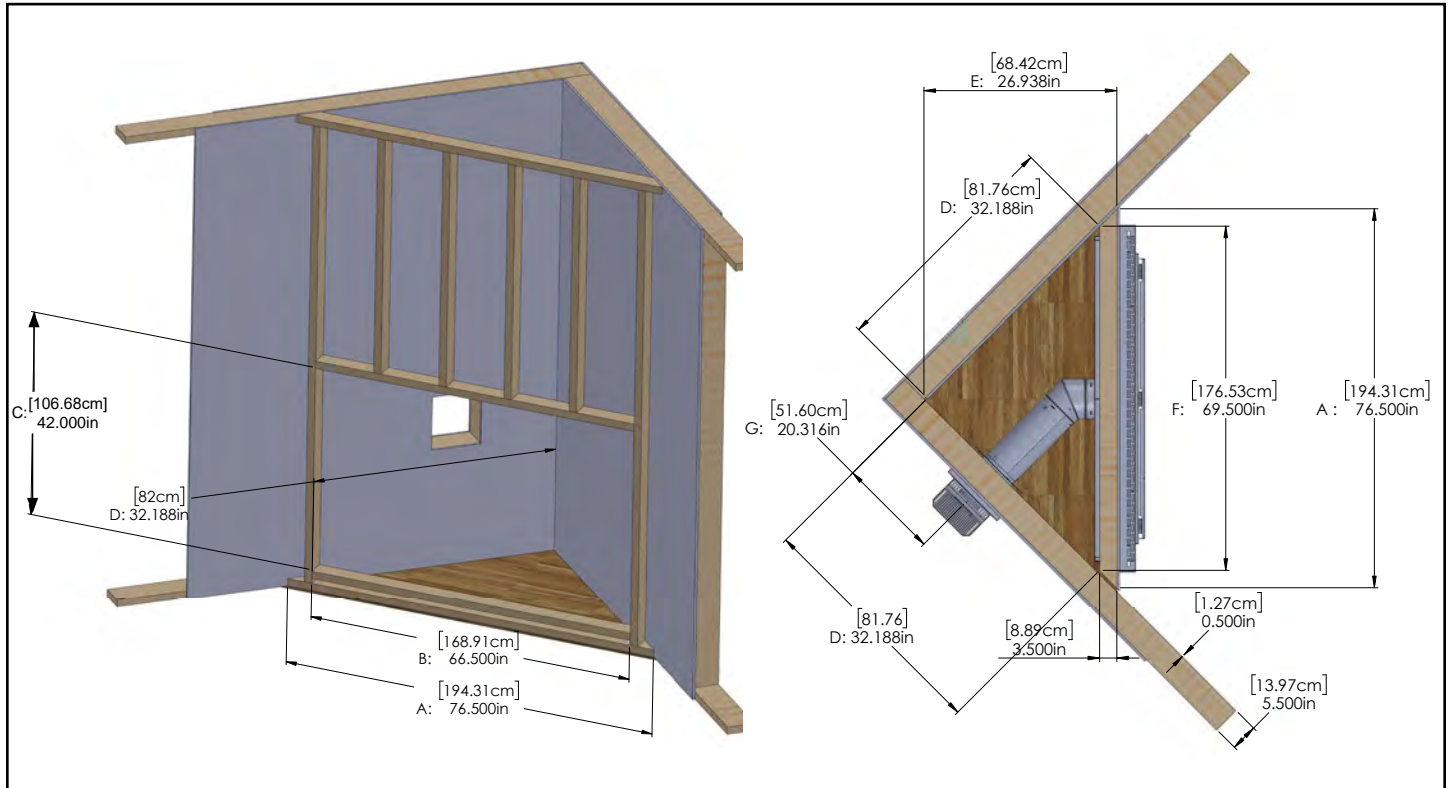


Figure 11.2.01

Dimension	1/2" Wall Board	5/8" Wall Board	3/4" Wall Board
A*	76.50"	76.375"	76.25"
B		66.50"	
C		42"	
D*	32.188"	32.063"	32.938"
E*	26.938"	26.813"	26.688"
F*	69.50"	69.375"	69.25"
G		20.316"	

Note:

The fireplace is adjustable up to 1 1/2" wall thickness.

Adjust each of the dimensions shown above by 1/8" for changes to finishing material.

Installation

11.3 Ventilation Framing

When installing the fireplace on an interior wall.

Ventilation framing dimensions are based on Duravent venting components. If other third party venting components are used, refer to the installation instructions from the third party manufacturer for installation information. The following critical dimensions must be maintained regardless of venting manufacturer:

Item	Critical Dimensions
Distance from ceiling to horizontal pipe	2" (50.8 mm)
Thimble framing dimensions	9" (228.6 mm) W x 10" (254 mm) H

Ceiling height and the height to the bottom of the thimble shown are based on a minimum vent run. These values may vary depending on the requirements of each installation.

Archgard Framing

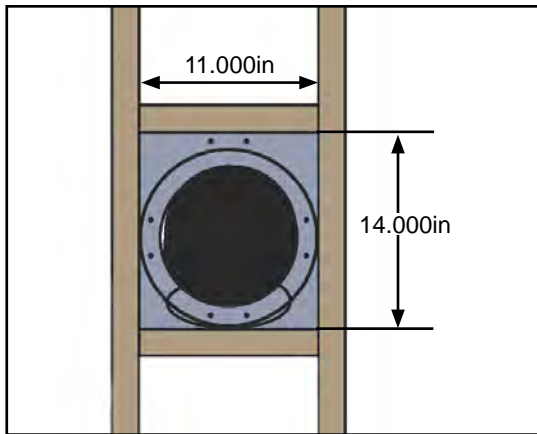


Figure 11.3.01: 999-DV-8HTCL / 999-DV-8HTCLT

Duravent

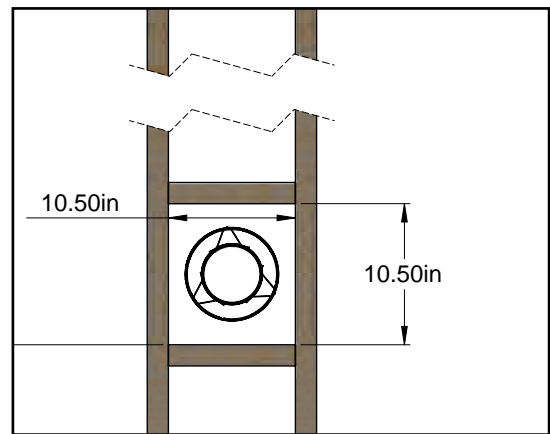


Figure 11.3.02

IMPORTANT

Vent cap location must be in compliance with guidelines in **Section 10.4** of this manual.

WARNING

DO NOT RECESS VENT CAP INTO WALL OR SIDING.

12.0 Clearances to Combustibles

WARNING: Failure to position the parts in accordance with these diagrams or failure to use only parts specifically approved with this appliance may result in property damage or personal injury or loss of life.

12.1 Mantel Clearances

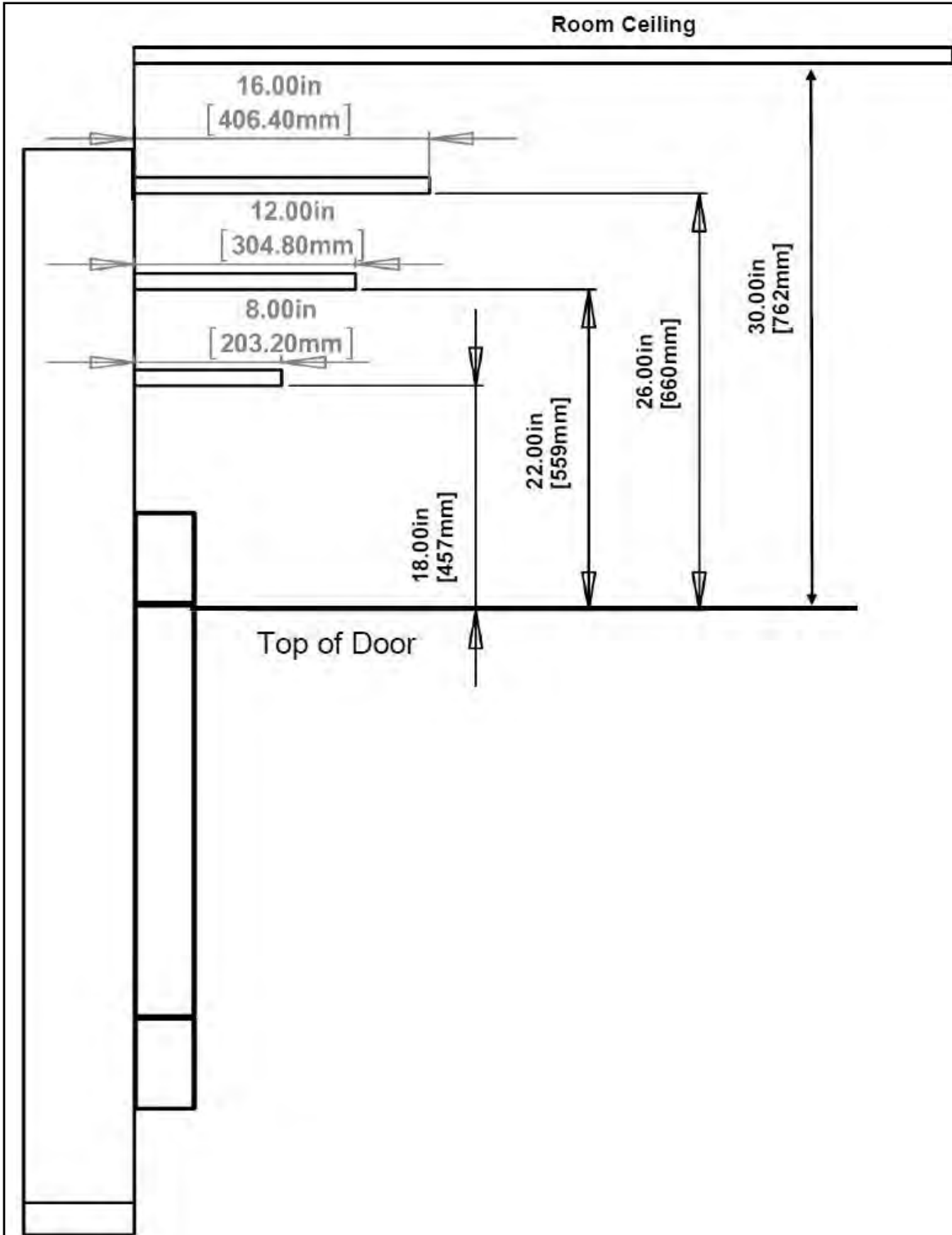


Figure 12.1.01

Installation

12.2 Clearances to surround

The surround on this fireplace is intended to remain on the outside of the wall.

Warning: Do not recess the installation or obstruct the openings in the top and bottom of the surround. Doing so may result in property damage or personal injury or loss of life.

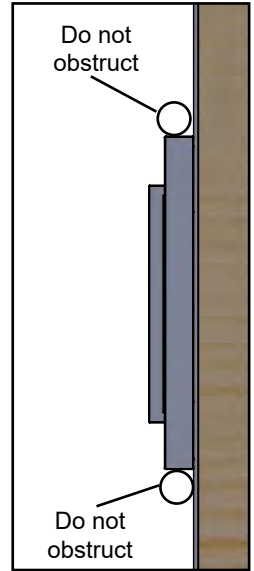


Figure 12.2.01

12.3 Hearth Clearances

Any hearth that extends outward in front of the fireplace must not have any combustible material closer than 5" (12.7 cm) to the front of the fireplace for the width of the fireplace door.

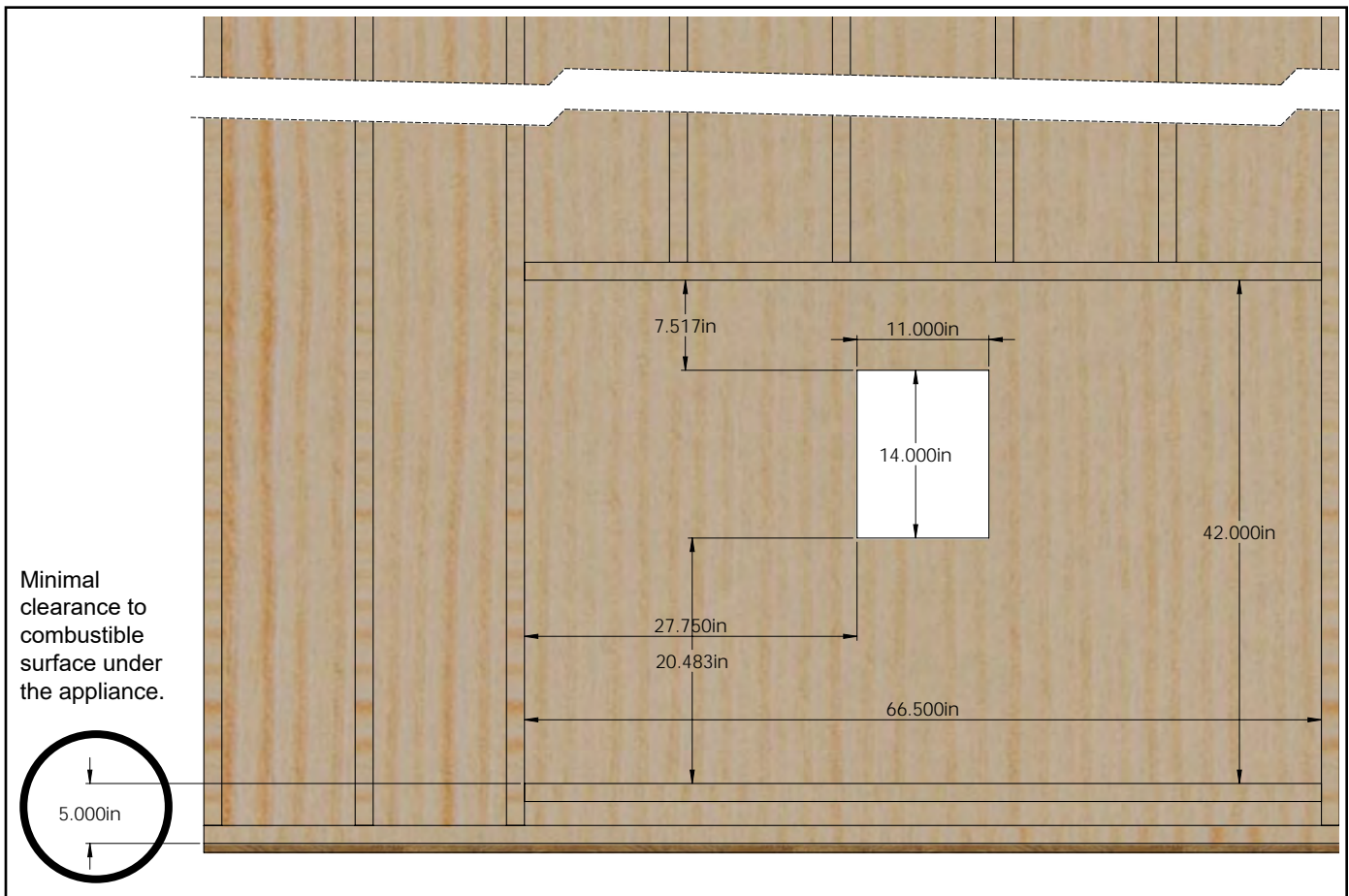


Figure 12.3.01

Installation

Heat Sensitive Flooring Materials

Archgard fireplaces are heating products, designed to produce a large amount of radiant and convective heat. The clearances specified above are intended to be minimum clearance distances to combustible materials, however, flooring directly adjacent to the minimum hearth clearances may reach temperatures of up to 180°F (82°C) or higher depending on the installation.

Please check with your flooring manufacturer for temperature tolerances as some materials, such as vinyl, tend to be more sensitive to temperatures above average room temperature and may be damaged or warped if exposed to heat.

We recommend testing any flooring material to ensure that it can withstand temperatures generated by this fireplace. If the tolerances of the flooring material are not known or are not capable of withstanding the temperatures generated by this fireplace, install a heat pad constructed of material that is not sensitive to heat, or adjust clearances to heat sensitive materials as shown below.

Note: clearances shown are the width of the fireplace door. The dimensions shown are guidelines only and cannot account for all flooring materials. The dimensions shown do not replace the hearth clearances for this product. Always maintain the clearances to combustible materials as shown on the previous page.

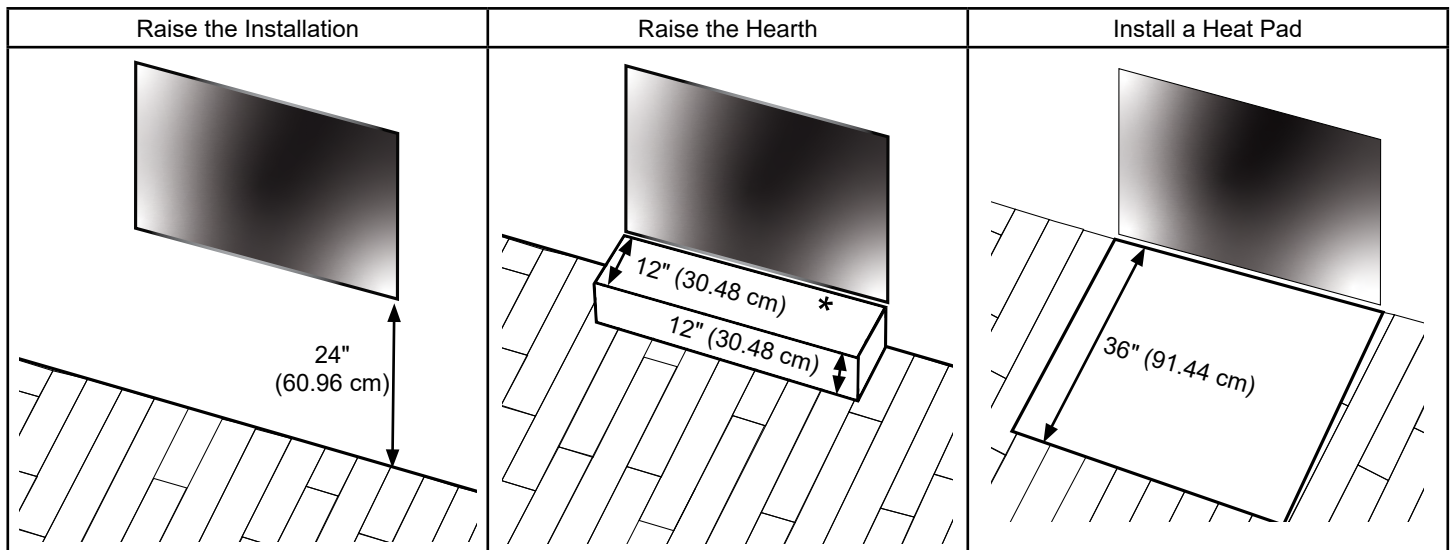


Figure 12.3.02

* Use whichever distance is greater when compared to the hearth clearances.

Installation

12.4 Rear Wall Clearance

If the appliance is installed on an exterior wall, the exterior wall insulation kit must be used (See **Section 13.0**) to protect against drafts.

If the appliance is NOT on an exterior wall, the insulation is not necessary, however, a 1" clearance to the wall behind the fireplace must be maintained.

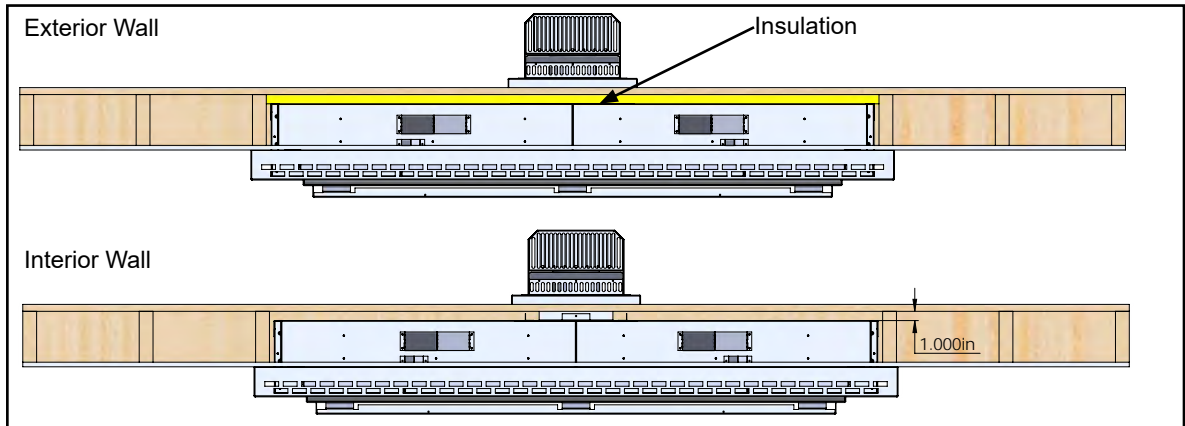


Figure 12.4.01

12.5 Sidewall Clearances

Maintain a minimum of 18" (45.72 cm) clearance from the side of the glass door to sidewalls or mantel supports.

Maintain a minimum of 12.3125" (31.27 cm) clearance from the side of the surround to sidewalls or mantel supports.

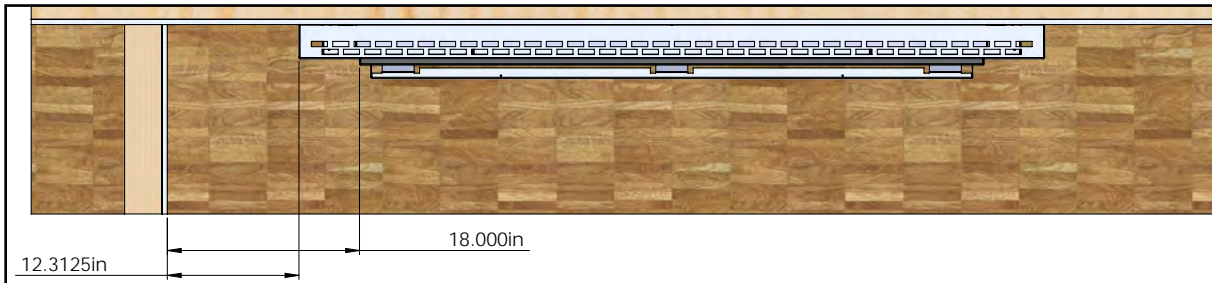


Figure 12.5.01

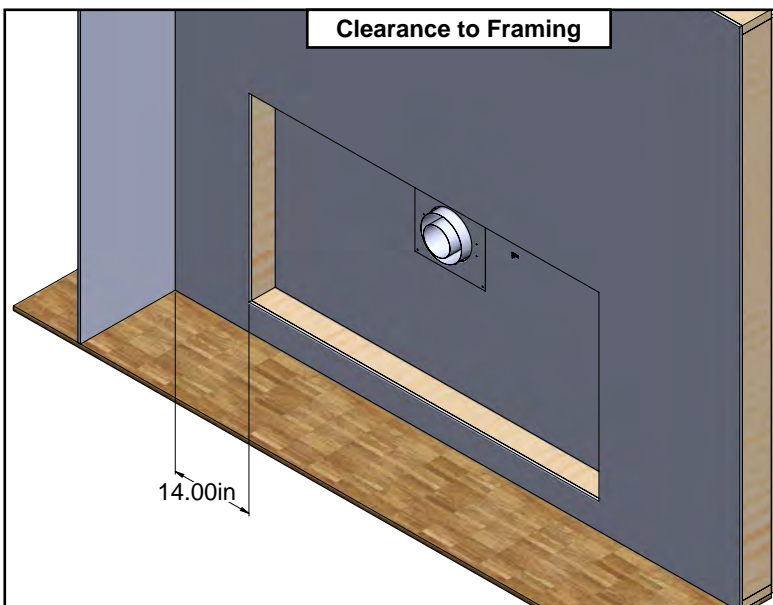


Figure 12.5.02

Installation

13.0 Fireplace Installation (Exterior Wall)

If the appliance is installed on an exterior wall, the exterior wall insulation kit must be used to protect against drafts. Place the insulation board with the foil facing into the room as shown in **Figure 13.0.02**.

If the appliance is NOT on an exterior wall, the insulation kit is not necessary, however, a 1" clearance to the wall behind the fireplace must be maintained (See **Section 12.4**).

Step 01: Install the framing for the fireplace and termination according to **Section 11**.



Figure 13.0.01

Step 02: Place the insulation in the fireplace opening with the foil facing into the room.

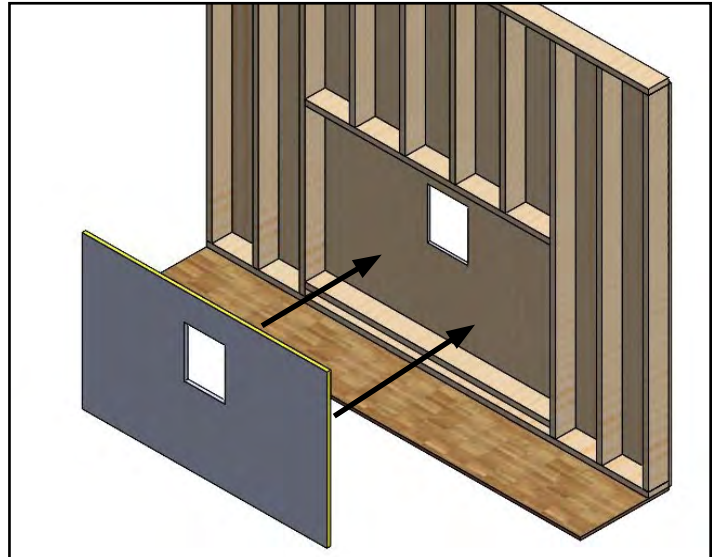


Figure 13.0.02

Step 03: Install the inside portion of the wall thimble

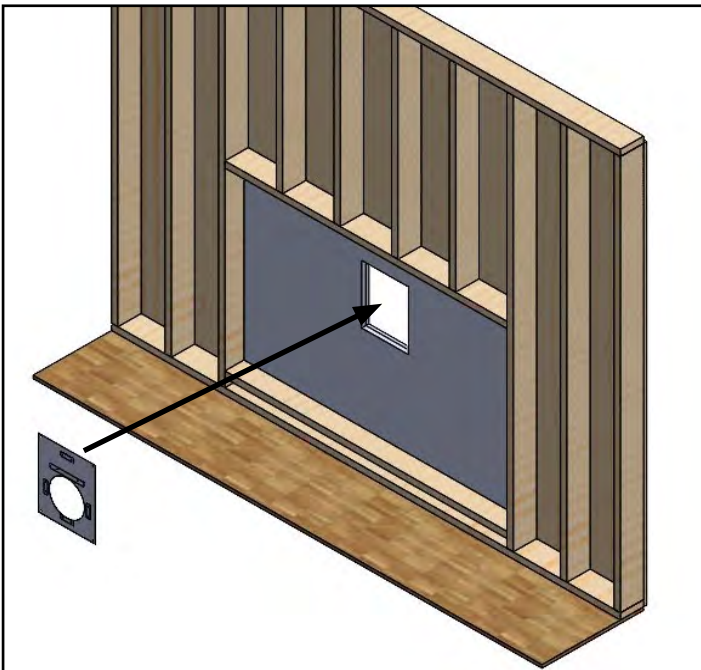


Figure 13.0.03

Step 04: Seal the inside with a high temperature silicone to prevent drafts.

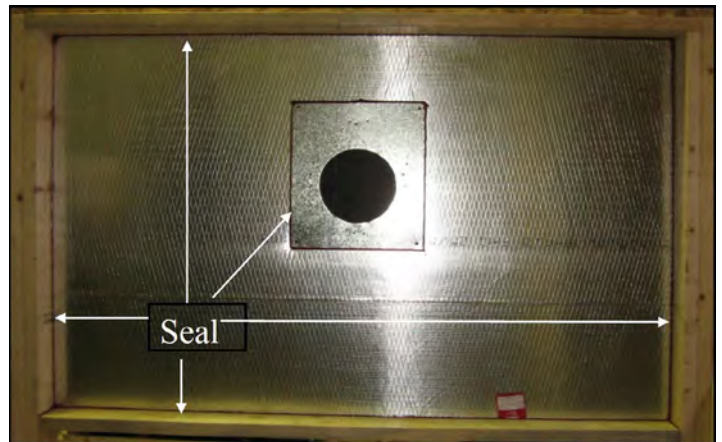


Figure 13.0.04

Installation

Step 05: Ensure the standoffs and nailing flanges are installed according to **Section 9.2** and **Section 9.3**.

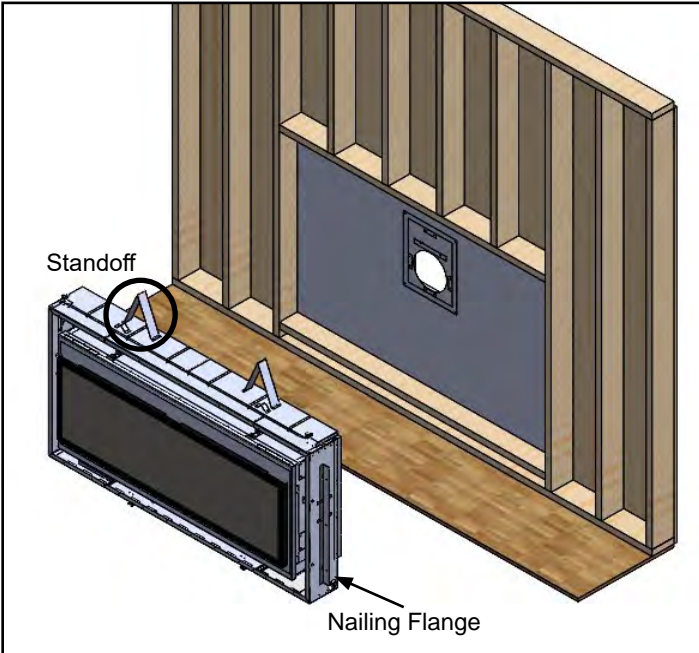


Figure 13.0.05

Step 06: Install the fireplace into the framing.

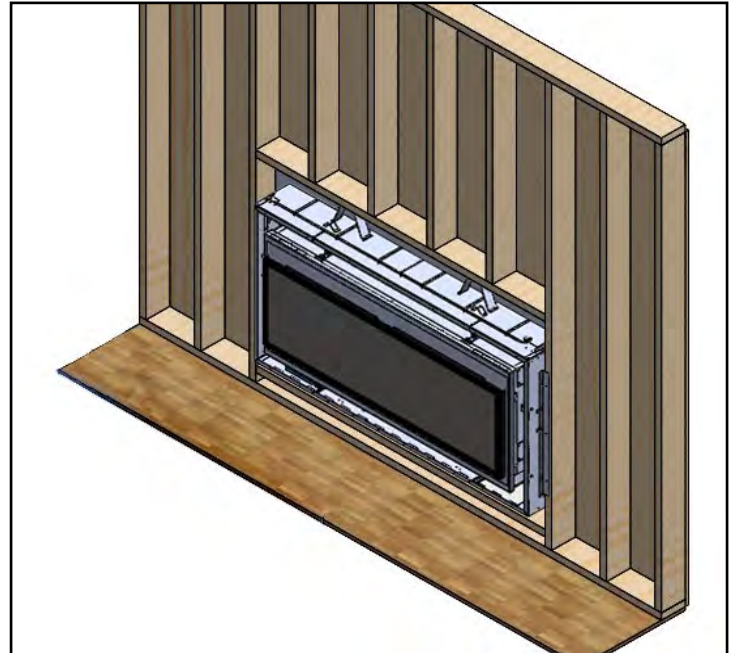


Figure 13.0.06

Step 07: Seal the vent collar and firestop on the outside to prevent cold drafts. Take care to avoid getting silicone in the air intake.



Figure 13.0.07

Step 08: Install the termination and seal with a non-silicone sealant.

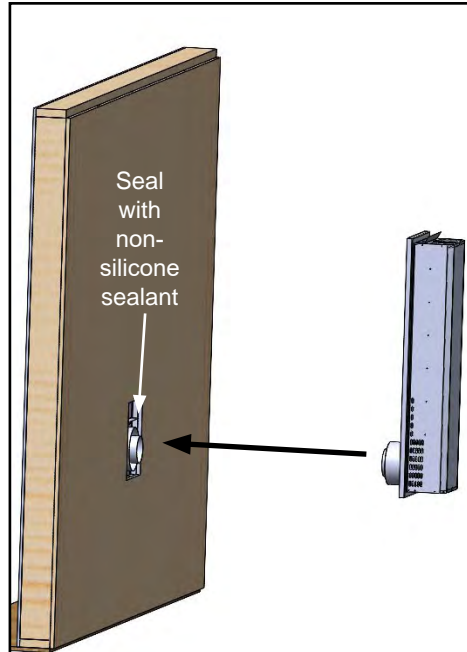


Figure 13.0.08

Step 09: Seal the edges of the termination to protect against drafts or leaks with a high quality silicone sealant.

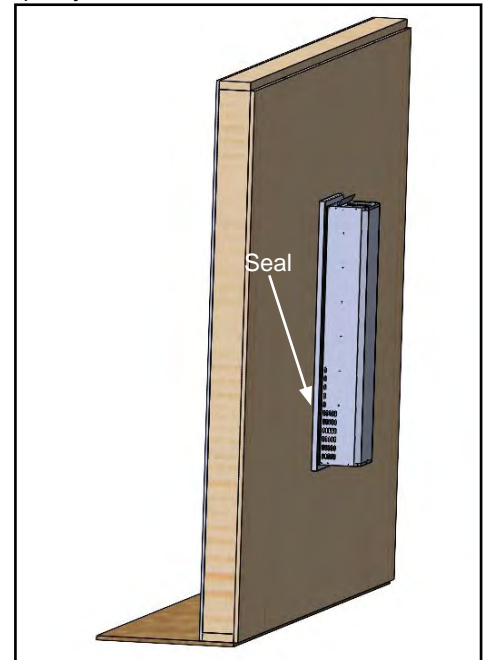


Figure 13.0.09

Installation

14.0 Gas Connections

Before connecting the appliance to the gas supply line, double check that the appliance you have purchased is designed for the gas type you are using. The gas type markings are located on the rating plate (See **Section 4.0** and **Section 6.2**) and also on the appliance's gas valve.

Adequate clearance for proper installation and checking of the gas connections must be provided. **All gas connections must be checked for gas leaks.**

After securing the fireplace to the framing, have your gas supplier or a qualified gas fitter run a gas supply line to the install location. The line must be properly sized and fitted according to the installation codes. Immediately upstream of the supply connection, the fitter shall provide an accessible manual shut-off valve. When connecting the supply line to the gas valve, the installer shall brace the gas valve to ensure that the gas valve is not moved from its bracket. If the valve is not braced when the supply line is connected, the valve may be moved and cause a "break" in the main burner supply line. Such damage is not covered by the manufacturer's warranty.

CAUTION: The appliance and its individual shut-off valve must be disconnected from the gas supply piping system during any pressure-testing of that system at test pressures in excess of 1/2 psig (3.5 kPa). The appliance must be isolated from the gas supply piping system by closing its individual manual shut-off valve during any pressure-testing of the gas supply piping system at test pressures equal to or less than 1/2 psig (3.5 kPa). Failure to do so will damage the appliance's gas valve. Such damage is not covered by the manufacturer's warranty.

Natural Gas Pressure Settings:

The inlet supply or line pressure must be a minimum of 5.0" W.C. (1.25 kPa) and a maximum of 14.0" W.C. (3.5 kPa). The orifices are a #35 DMS (2.79 mm) drill size for the center burner and #48 DMS (1.93 mm) for the two outer burners.

<u>ELEVATION</u>	<u>INPUT RATING</u>
0-4500 ft (0-1372 M)	50,000 BTU/hr (14.7 kW)
4500 ft (1372 M) and above.	50,000 BTU/hr (14.7 kW) less 4% per 1000 ft. (305 M) above sea level.

Please contact your local distributor for the appropriate orifice size you require.

Propane Pressure Settings:

The inlet supply or line pressure must be a minimum of 11.0" W.C. (2.74 kPa) and a maximum of 14.0" W.C. (3.5 kPa). The orifice is a #53 DMS (1.51 mm) drill size for the center burner and #58 DMS (1.07 mm) for the two outer burners.

<u>ELEVATION</u>	<u>INPUT RATING</u>
0-4500 ft. (0-1372 M)	50,000 BTU/hr (14.7 kW)
4500 ft. (1372 M) and above.	50,000 BTU/hr (14.7 kW) less 4% per 1000 ft. (305 M) above sea level.

Please contact your local distributor for the appropriate orifice size you require.

14.1 Clocking Procedure (for high altitude derating)

IMPORTANT: THE INPUT RATING SHOULD ALWAYS BE CHECKED WHEN FIRST FIRING THIS APPLIANCE.

Before you begin, shut off all other gas appliances including any standing pilots. Light the fireplace and wait 15 minutes. Clock the time to burn 1ft³ of gas on the meter. Check with your gas supplier for the gas BTU content at your elevation. Input is the rate of flow multiplied by the heating value of the gas (cubic feet/hour x BTU per cubic feet). **Note:** This assumes a dry gas meter at 1/2 psi. If using a 2 psi dry gas meter the unit will rate lower as the calculation has to correct for the higher pressure in the meter. If the unit is over-rated, contact your authorized Brigantia dealer. The following calculation equation gives a rough estimation as it does not correct for temperature and pressure.

Rough Calculation Equation:

$$\frac{3600}{\text{time to burn 1ft}^3 \text{ gas in seconds}} \times \frac{\text{gas caloric value in BTU/ft}^3}{\text{in BTU/ft}^3} = \text{Rating in } \frac{\text{BTU}}{\text{hr}}$$

Installation

14.2 Conversion Kit Instructions

IMPORTANT: This fireplace is Natural gas ready. If converting to LP gas, follow instructions below.

WARNING: This conversion kit shall be installed by a qualified service agency in accordance with the manufacturers instructions and all applicable codes and requirements of the authority having jurisdiction. If the information in these instructions is not followed exactly, a fire, explosion or productions of carbon monoxide may result, causing property damage, personal injury or loss of life. The qualified service agency is responsible for proper installation of this kit. The installation is not proper and complete until operation of the converted appliance is checked as specified in the instructions supplied with the kit. Refer to appliance owner's manual or product data plate for proper inlet and manifold pressure adjustments and orifice sizing.

IMPORTANT: For high altitude installations above 4500 ft (1372 meters), consult local gas distributor or the authority having jurisdiction for proper derating methods.

KIT NUMBERS: 57-CKELP for LP gas and 57-CKENG for Natural Gas

KIT INCLUDES:

- Gas conversion label (303-0128)
- Burner orifices (part number 301-0068-53, #53 DMS & 2 x 301-0068-58, #58 DMS for LPG) (part number 301-0068-35, #35 DMS & 2 x 301-0068-48, #48 DMS for NG)
- Instruction Sheet
- SIT 885 Valve conversion kit c/w instructions & gas type label

**WARNING: SHUT OFF GAS SUPPLY AND ELECTRICAL POWER TO FIREPLACE
SHUT OFF GAS SUPPLY BEFORE DISCONNECTING ELECTRICAL POWER**

14.3 Prepare the Fireplace

- Remove the barrier screen (see **Section 6.3**), surround (see **Section 6.5**), glass door (see **Section 6.4**), burner media (see **Section 17.0**),
- Remove the angled side panels, and fireplace baffle (see **Section 16.0**)
- Remove all three burners (see **Section 19.11**)

Remove the burner orifices using a 1/2" wrench. Replace with the orifices supplied with the conversion kit. The two smaller orifices install on the outer mounts, and the larger single orifice in the center. Use a small amount of pipe sealant on the threads of the orifice mount. Do not use too much as it can block the orifice.



Figure 14.3.01:

14.4 Pilot Conversion

Using a 7/16" wrench and loosen the pilot hood 1/4 turn. Slide the tab at the bottom of the orifice hood all the way so the red side (propane) with the hole in it is showing. Tighten the pilot hood back up so that it is lined up with the two probes on both sides of the pilot assembly.

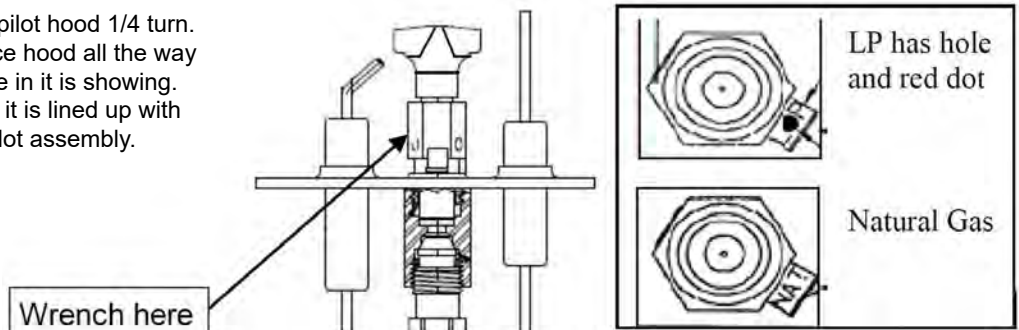


Figure 14.4.01:

Installation

14.5 Convert the Gas Valve

WARNING: Installation of this conversion kit must only be undertaken by a qualified and certified gas appliance installer.

Verify that the following items are present in the package:

- Pressure regulator assembly (E)
- Two (2) screws (F)
- Identification label (G)
- Installation instructions (this document)

1. Shut off the gas supply to the valve and shut down the electric supply.
2. See **Figure 14.5.01**. Using a Torx T20, or slotted screwdriver, remove and discard the two (2) pressure regulator mounting screws (A), pressure regulator tower (B), and the spring and diaphragm assembly (C), (if applicable).
3. Ensure the rubber gasket (D), which is prefitted as part of assembly (E), is properly positioned, see **Figure 14.5.02**, otherwise fit the gasket as shown **Figure 14.5.02**.
4. Install the new STEPPER MOTOR pressure regulator assembly, as shown in **Figure 14.5.03** and **Figure 14.5.04**. Use the supplied screws (F), M4 x 0.7 threaded, length of thread $L = (16 \text{ mm} + 0 - 0.5 \text{ mm})$, steel material, resistance class 8.8 (see **Figure 14.5.05**).
5. Manually thread the two conversion kit mounting screws into the valve body. Use a standard screwdriver or T20 Torx bit and tighten to the screws with a fixing torque of 25lb-in \pm 5%.
IN THE EVENT THAT THE THREADS OF THE VALVE ARE STRIPPED OR DAMAGED, REPLACE THE VALVE.
6. Install the enclosed identification label (G) to the valve body where it can be easily seen.
7. Make STEPPER MOTOR and valve electrical connections, apply gas to system and relight appliance according to manufacturers instructions.
8. With the main burner ON, test the new pressure regulator assembly for leaks using a soap solution.
9. Relight the main burner and verify proper burner ignition and operation.

WARNING: Installation should be carried out in a clean environment.

WARNING: This modulating conversion kit must ONLY be applied as part of a conversion kit supplied by the APPLIANCE MANUFACTURER.

WARNING: Correct operation of the system cannot be guaranteed if the conversion kit or valve has been dropped or has sustained a strong impact.

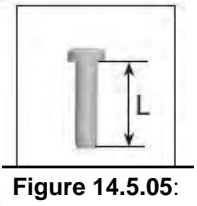
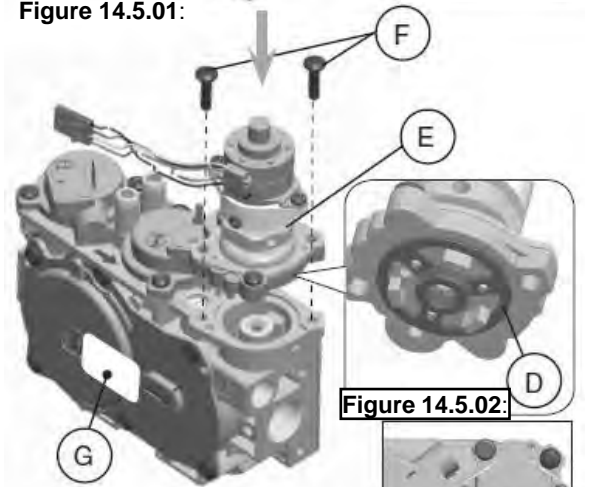
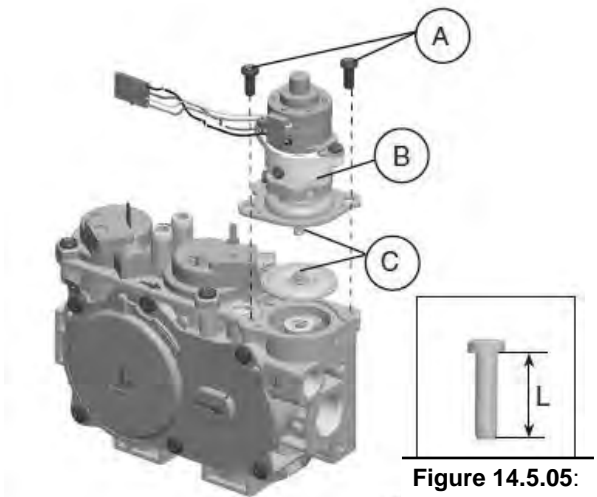
INSTALLER NOTICE: These instructions must be left with appliance.

14.6 Complete the Conversion

- Reinstall the burners (see **Section 19.11**)
- Reinstall the fireplace baffle and angled side panels (see **Section 16.0**)
- Reinstall the burner media (see **Section 17.0**), and glass door (see **Section 6.4**)
- Turn on the gas and electrical supplies
- Turn on the fireplace so the burner is on
- Check for leaks at **all** connections

Test inlet and outlet pressure (See **Section 19.3**). Visually check pilot flame. Flame should envelope top of the flame sensor and extend forward onto the burner. To adjust pilot turn the pilot adjustment screw on the control valve clockwise to decrease or counter clockwise to increase pilot flame. Clock the rating as shown in **Section 14.1**. Adjust the primary air according to specifications in this manual or as found on the rating plate.

- Turn fireplace off
- Affix gas type label to the rating plate label (See **Section 6.2** for rating plate location)
- Complete the conversion label and affix to valve assembly plate
- Reinstall the fireplace surround (see **Section 6.5**) and barrier screen (see **Section 6.3**)



15.0 Finishing

Step 01: Install the facing material. Facing material may be combustible. See **Figure 15.0.02** for facing material dimensions.

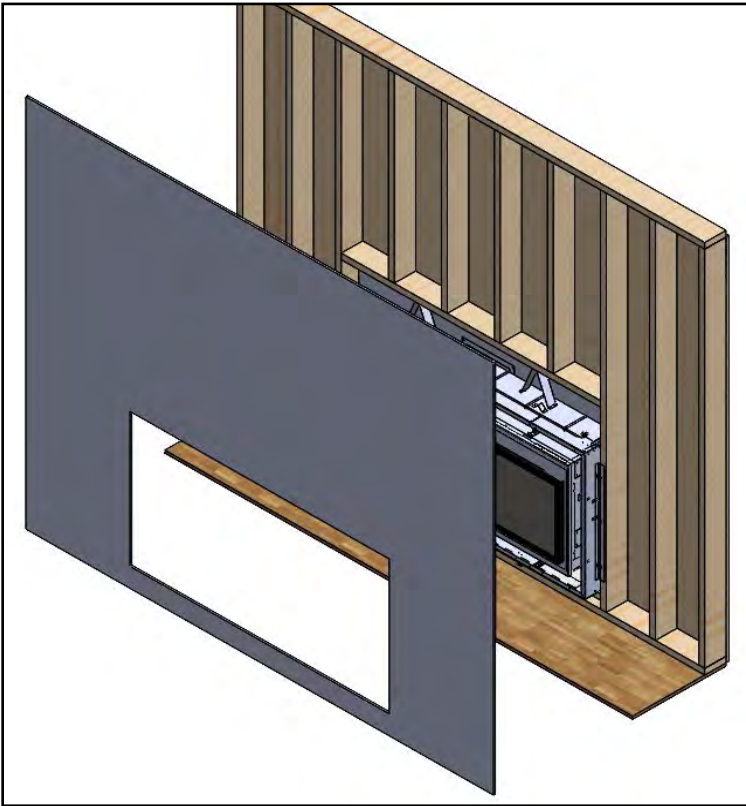


Figure 15.0.01

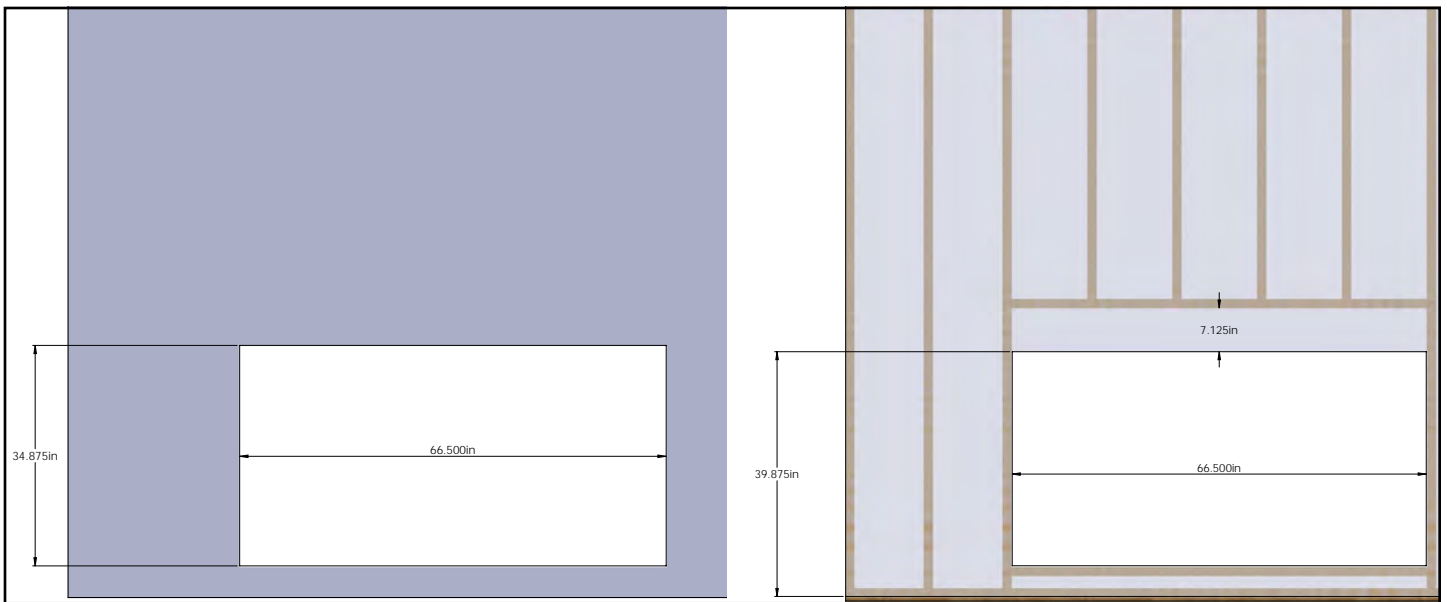


Figure 15.0.02

Installation

Note: The wallboard should extend down to the spacers located on top of the fireplace. See **Figure 15.0.03**.

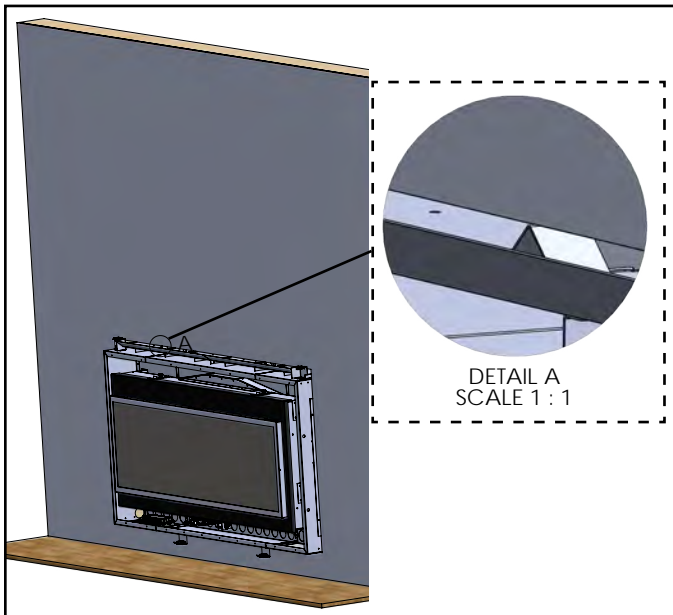


Figure 15.0.03

Step 02: With the facing material installed, locate the four (4) surround mounting clips located in the manual bag with the fireplace.

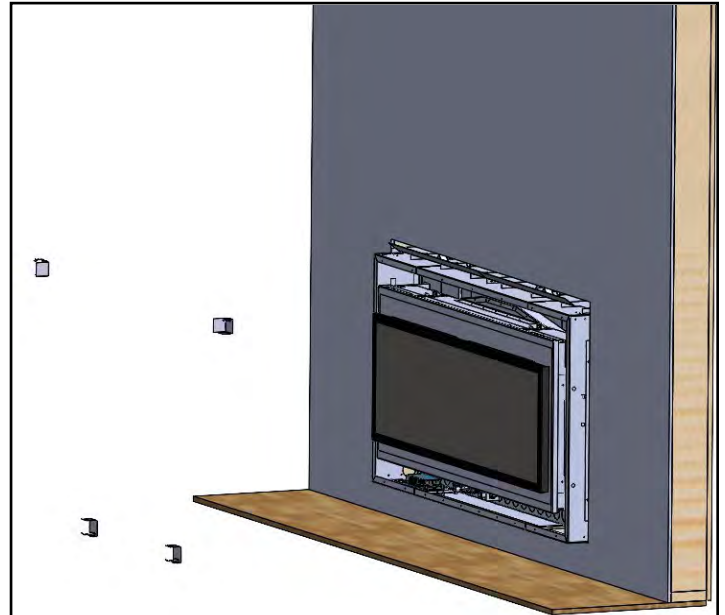


Figure 15.0.04

Step 03: The holes on the surround clip are elongated to allow the clip to rest flush against the facing material.

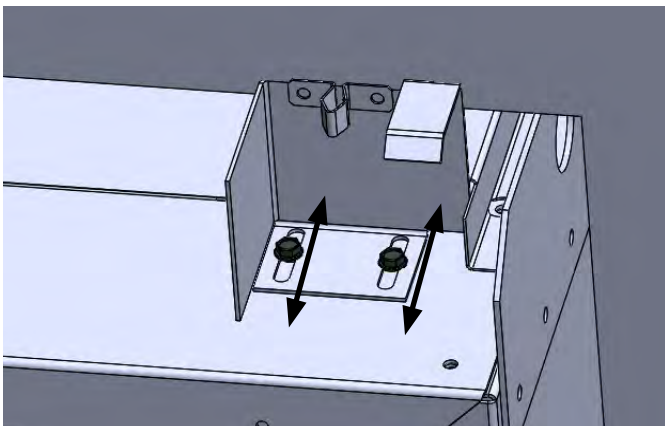


Figure 15.0.05

Step 04: Install the clips on the top and bottom of the fireplace, flush with the facing material.

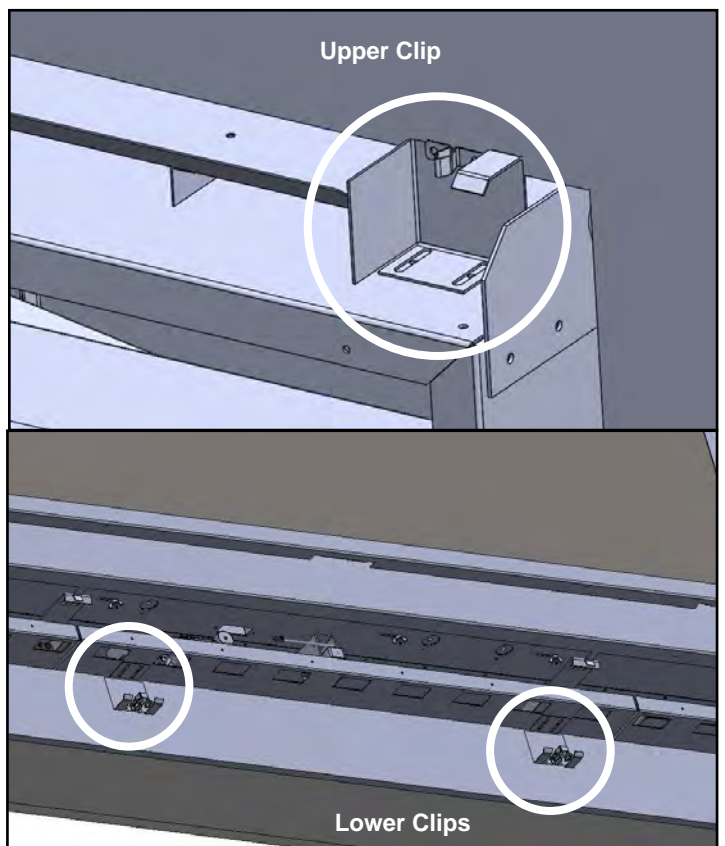


Figure 15.0.06

Installation

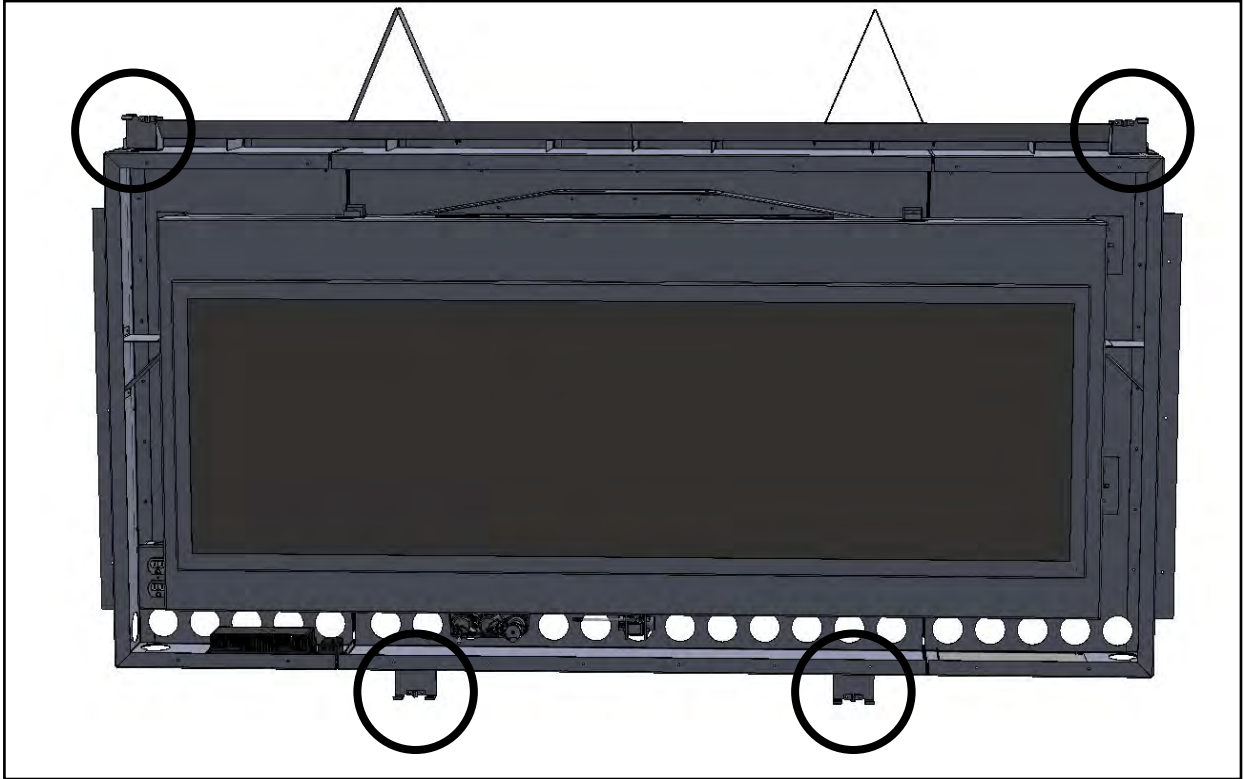


Figure 15.0.07

16.0 Firebox Liner Installation

16.1 Installing the Rear Panels

The following steps highlight the procedure for installing firebox liners included with the fireplace. Handle the panels with care to avoid scratching the paint. Inspect the panels to ensure that no damage has occurred inside the package. Please report any damage immediately to your Authorized Brigantia Dealer. **Note:** these panels must be installed.

Before you begin:

- **Ensure the gas supply is turned OFF and disconnect the power supply (including backup batteries)**
- Remove barrier screen (see **Section 6.3**)
- Remove Glass Door (see **Section 6.4**)

Step 1: Place side panels in the firebox with the notches facing forward. Slide them towards the sides of the fireplace, then add the middle panel.



Figure 16.1.01



Figure 16.1.02

Note: The panels are not identical. The tabs on the bottom of the middle panel are closer to the sides than the tabs on the side panels.

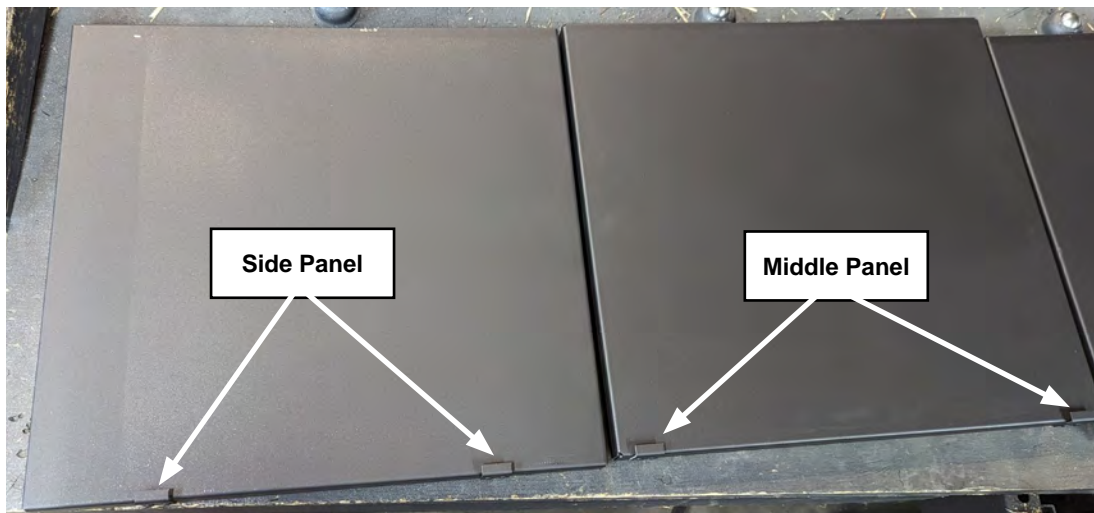


Figure 16.1.03

16.2 Installing the Side Panel & Baffle

Step 1: Set the right and left side panels by inserting the tabs into the slot of the support plate. Panels should angle into the firebox as shown.



Figure 16.2.01



Figure 16.2.02

Step 2: Set the baffle on top of the side panels so the slot in the baffle rests on the tabs on the side panels.

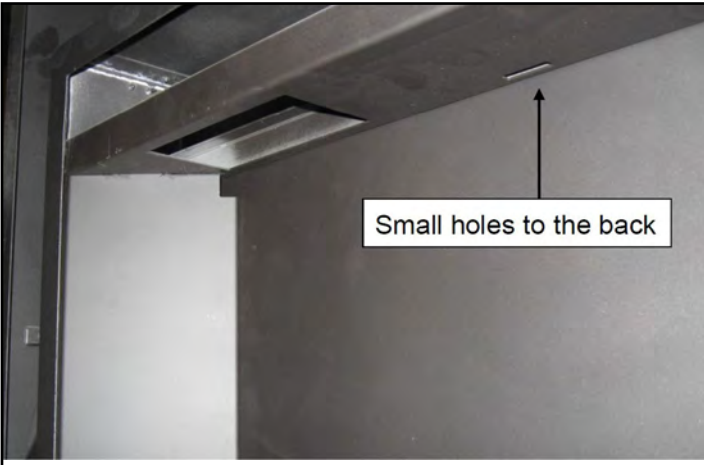


Figure 16.2.03

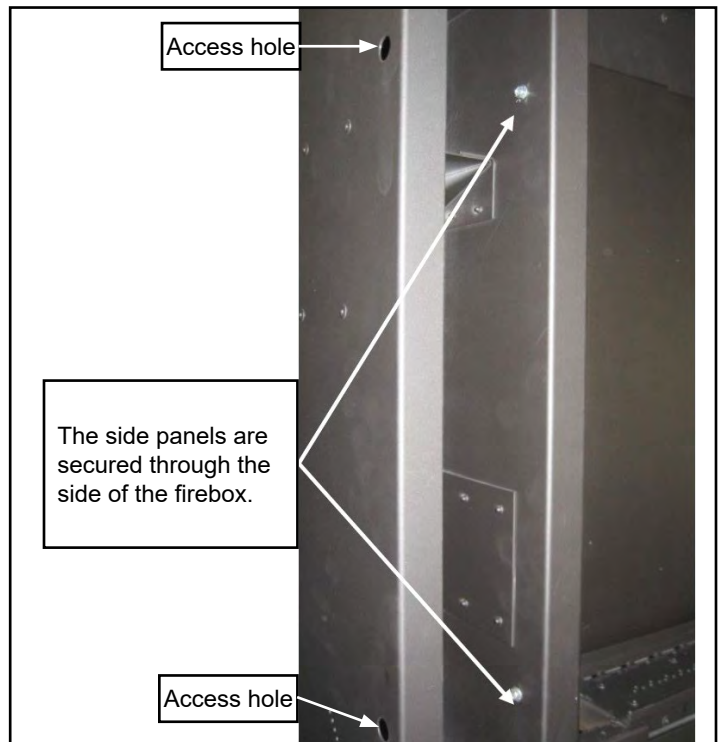


Figure 16.1.04

Installation

16.3 Reflective Glass Installation

The following steps highlight the procedure for installing Eternal Flame Reflective Ceramic Glass liner. We recommend using clean cotton gloves when handling panels as fingerprints or other marks may become permanent when the fireplace is lit. Handle the panels with care. Inspect the panels to ensure that no damage has occurred inside the package. Please report any damage immediately to your Authorized Brigantia Dealer.

Before you begin:

- Ensure the fireplace is OFF and cool before servicing the fireplace
- Ensure the gas supply is turned OFF and disconnect the power supply (including backup batteries)
- Remove barrier screen (see Section 6.3)
- Remove Glass Door (see Section 6.4)
- Remove the upper baffle (see Section 6.2)
- CAREFULLY remove the panel from the protective packaging to prepare for the installation

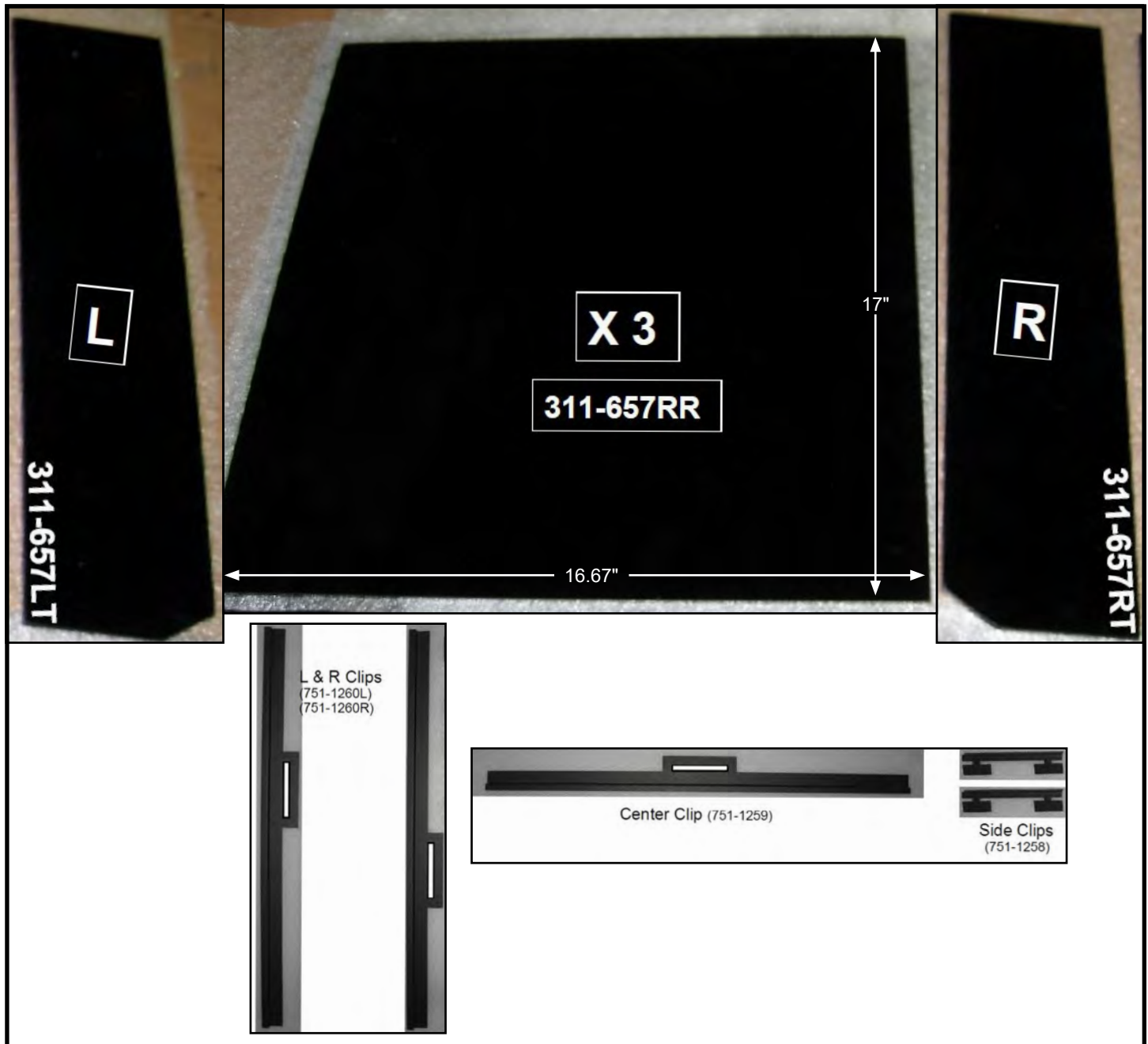


Figure 16.2.01

Installation

Step 1: Insert the right side rear panel in the lower brackets in the firebox with the longer side placed vertically.

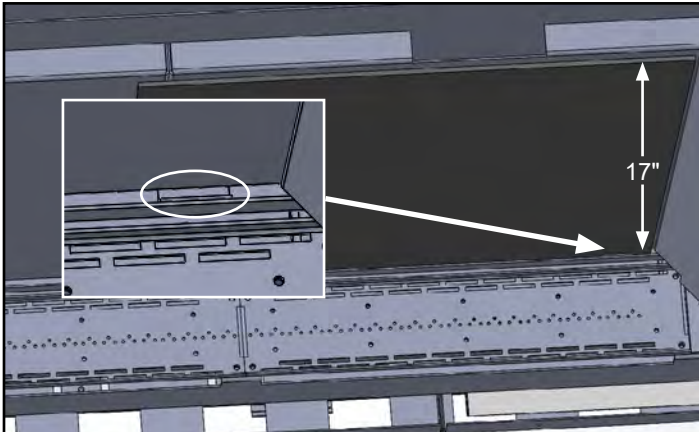


Figure 16.2.02

Step 2: Place the right side clip over the right side panel and bend the upper tab down.

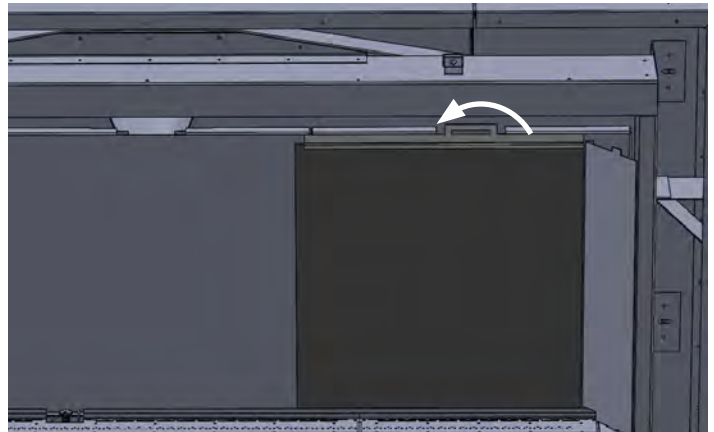


Figure 16.2.03

Step 3: Repeat for the left side rear panel.

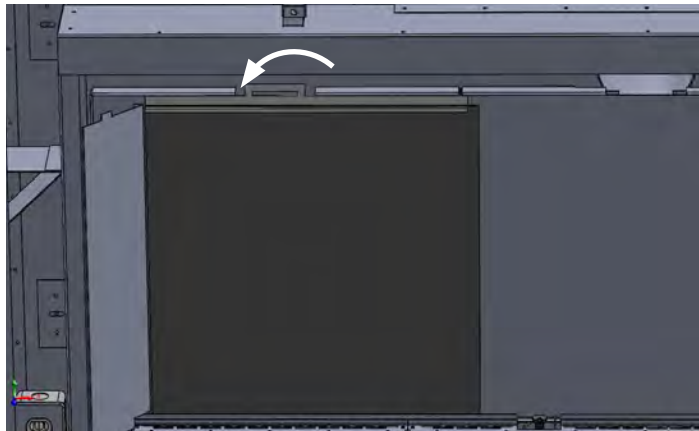


Figure 16.2.04

Step 4: Place the center rear panel.



Figure 16.2.05

Step 5: Place the center clip over the center piece of glass and bend the tab down.

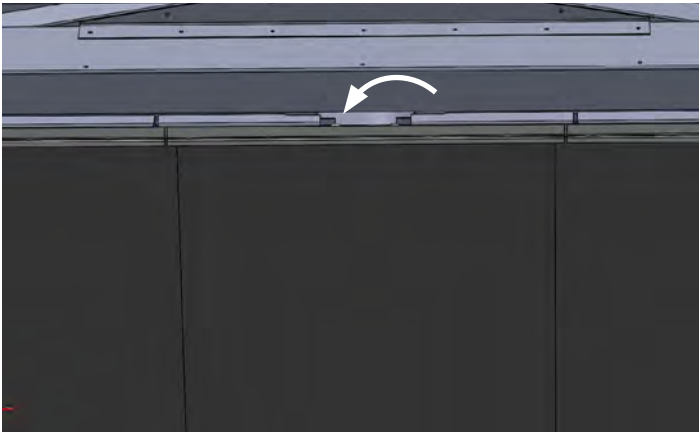


Figure 16.2.06

Step 6: Place the left or right side panel.



Figure 16.2.07

Installation

Step 7: Place the side panel clip over the panel and bend the two tabs down.

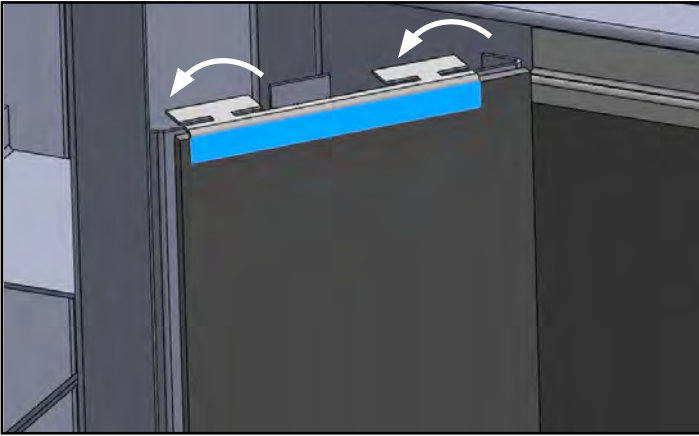


Figure 16.2.08

Step 8: Repeat for the other side and final clip.

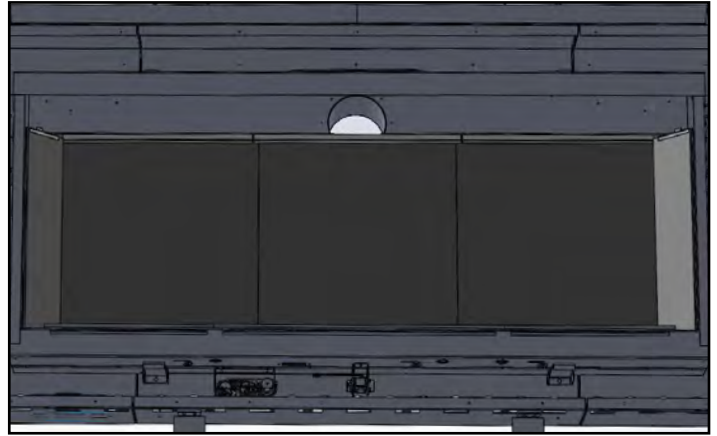


Figure 16.2.09

Step 9: Place the upper baffle (see **Section 6.2**). The baffle will help to hold everything in place.



Figure 16.2.10

Final Steps:

- Replace the glass door (see **Section 6.4**)
- Replace the barrier screen (see **Section 6.3**)
- Resupply gas and power
- Light the fireplace and ensure the flames match the patterns shown in **Section 19.5** of this manual

Installation

17.0 Burner Media Installation

WARNING

Failure to position the burner media in accordance with these diagrams or failure to use only parts specifically approved with this appliance may result in property damage or personal injury. Never use unapproved burner media such as rock wool or similar material. The use of unapproved burner media may cause damage or injury and will void product warranty.

The Brigantia Excellence includes jet black glass beads. Other options are available.

Gas and vent connection must be made before installing the glass beads. To install the beads, spread them evenly along the length of the burner. The beads should be one row deep and cover the entire burner.

CAUTION: DO NOT block pilot opening with glass beads.

NOTE: Improper placement of glass beads may cause soot accumulation on the internal parts and glass. This is not covered under warranty.

Step 1: Place the beads along the burner in a single, even layer. Try to avoid placing any flat edges over the burner holes.

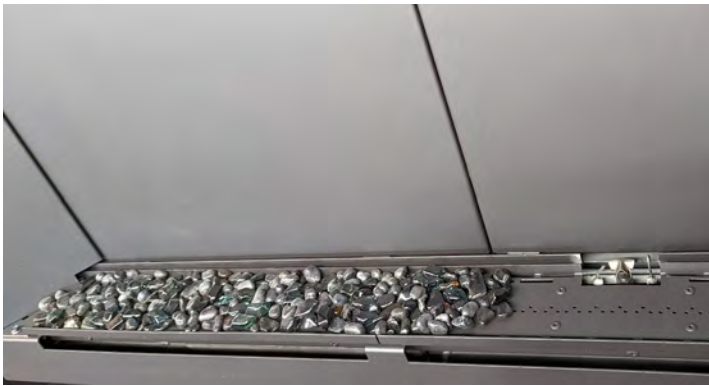


Figure 17.0.01



Figure 17.0.02

Step 2: Place beads around the pilot opening. Do not place beads within the pilot opening.



Figure 17.0.03

Installation

17.1 Optional Silhouette Log Set

Brigantia Silhouette Log Sets are designed to provide a unique contemporary fire bed from the day they are installed, through the years that follow. The logs are available in white, black, and grey. Each set includes two (2) logs. A maximum of six logs may be installed in any color combination. Care must be given when handling the logs as they can be damaged or broken if not handled properly. After opening the log set package, inspect the logs to ensure that no damage has occurred inside the package. Please report any damage immediately to your Authorized Brigantia Dealer. The glass media has been removed in the following photos to illustrate the position of the logs relative to the burner ports. Glass media must be installed for proper burner operation. The glass media may be installed either before or after the logs have been installed.

NOTE: Improper placement of logs may cause soot accumulation on the internal parts and glass. This is not covered under warranty. Do not use broken or damaged logs.

To install the Silhouette logs:

Before you begin:

- Ensure the fireplace is OFF and cool before servicing the fireplace
- Ensure the gas supply is turned OFF and disconnect the power supply (including backup batteries)
- Remove barrier screen (see Section 6.3)
- Remove Glass Door (see Section 6.4)

Step 1: Place the first log on the far left side of the firebox as shown. Ensure it is stable and resting on the burner in front of the ports at two points and leaning against the back of the firebox.



Figure 17.1.01

Step 2: Place another log to the right of the first log but turn the log so it faces the opposite direction. The log will rest at two points against the back of the firebox and one point in front of the burner ports.

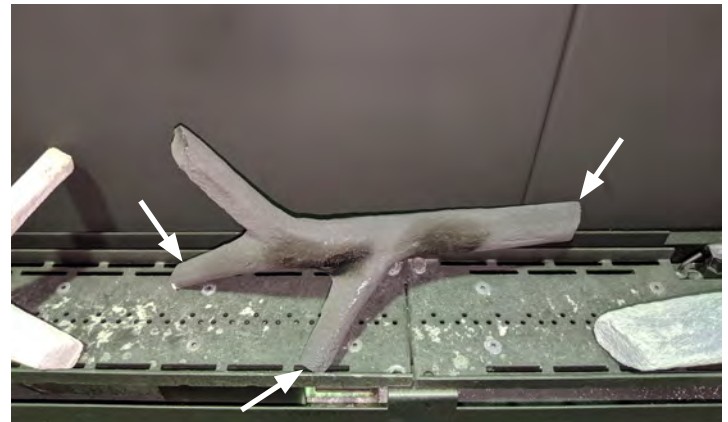


Figure 17.1.02

Step 3: Repeat for the remaining four (4) logs. Light the fireplace to ensure the flame appears as shown in Figure 17.1.03. Adjust the logs if necessary.

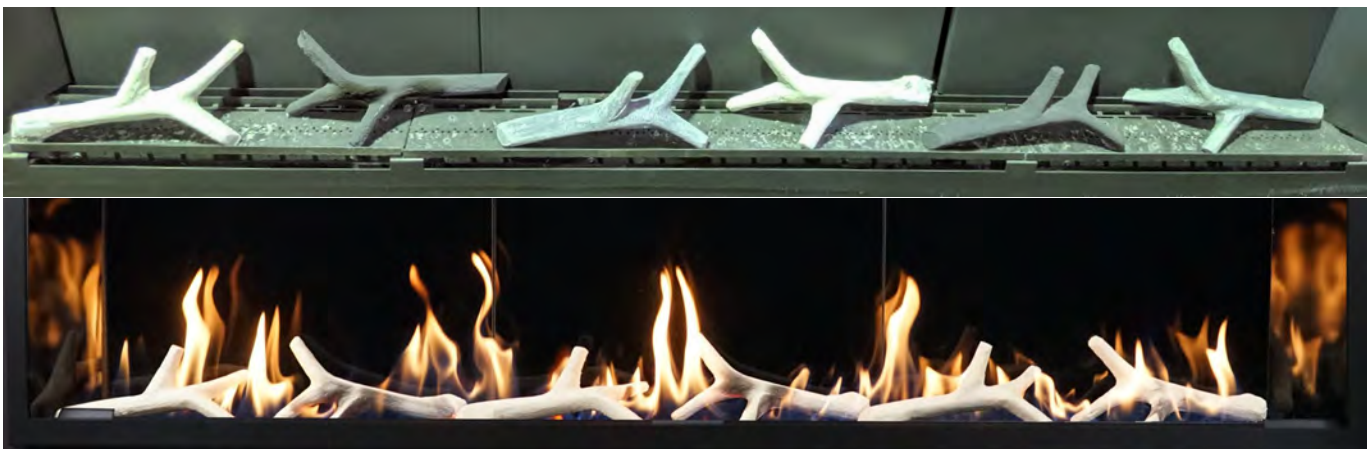


Figure 17.1.03

WARNING

Failure to position the burner media in accordance with these diagrams or failure to use only parts specifically approved with this appliance may result in property damage or personal injury. Never use unapproved burner media such as rock wool or similar material. The use of unapproved burner media may cause damage or injury and will void product warranty.

18.0 Operation

18.1 Before Lighting

WARNING: If you do not follow these instructions exactly, a fire or explosion may result causing property damage, personal injury or loss of life. Do not operate the appliance with the glass front removed, cracked or broken. Replacement of broken glass should be done by a licensed or qualified service person.

Each Brigantia Gas Fireplace is checked and tested at the factory prior to being packaged and shipped to our dealers and finally installed in your home. Brigantia recommends that before leaving this unit with the customer, the installer must ensure that the appliance is firing correctly and that the electrical system is in working order. This will include:

1. Performing leak tests of supply line, gas control valve, supply line from gas control valve and pilot assembly.
2. Clocking the appliance to ensure the correct firing rate (see **Section 14.1** of this manual).
3. If required, adjusting the primary air to burner to ensure that the flame does not carbon or soot.
4. Checking for proper operation including correct drafting.
5. After the system has been checked, refer to the instructions for FIRST FIRE located in this manual.

Use the installation checklist in **Section 5.0** to ensure all installation steps have been completed.

Note: Any alteration to this product that causes carbon or soot deposits that results in any damage or requires cleaning is not the responsibility of the manufacturer.

Do not store or use gasoline or other flammable vapors and liquids in the vicinity of this or any other appliance.

WHAT TO DO IF YOU SMELL GAS:

- Do not try to light any appliance.
- Do not touch any electrical switch; do not use any phone in your building.
- Immediately call your gas supplier from a neighbor's phone. Follow the gas supplier's instructions.
- If you cannot reach your gas supplier, call the fire department.

Installation and service must be performed by a qualified installer, service agency or the gas supplier.

1. **BEFORE LIGHTING**, smell all around the appliance area for gas. Be sure to smell next to the floor, because some gasses are heavier than air and will settle on the floor.
2. **IF YOU SMELL GAS**, follow the instructions as listed directly above or as shown on the front cover of this manual.
3. Do not use this appliance if any part has been under water. Immediately call a qualified service technician to inspect the appliance and to replace any part of the control system and any gas control which has been under water.
4. This appliance is equipped with an ignition device which automatically lights the pilot and main burner when operating the remote control.

18.2 First Fire

When operated for the first few times, the appliance will emit some odor and fumes. This is due to the heat from the appliance evaporating the oils and solvents used in fabricating the appliance. Close off the room to the rest of the house and open all windows. Keep the room well ventilated, as smoke alarm may sound. Run the appliance for at least 6 hours at maximum setting to allow paint to cure. Smoke and fumes caused by the curing process may cause discomfort to some individuals. Clean the glass door after this curing process has completed (see **Section 18.1**). Be sure there are no fingerprints left on the glass panels as high temperatures can bake these prints on permanently.

Operation

18.3 Lighting Instructions

The following information may be found on the fireplace rating plate. See **Section 6.2** for the rating plate location.

FOR YOUR SAFETY READ BEFORE LIGHTING
POUR VOTRE SÉCURITÉ VEUILLEZ LIRE AVANT L'ALLUMAGE

WARNING: If you do not follow these instructions exactly, a fire of explosion may result causing property damage, personal injury or loss of life.

AVERTISSEMENT: Quiconque ne respecte pas à la lettre les instructions dans la présente notice risque de déclencher un incendie ou une explosion entraînant des dommages, des blessures ou la mort.

A. This appliance is equipped with an ignition device which automatically lights the pilot. Do not try to light the pilot by hand. When lighting the pilot follow these instructions exactly.

B. BEFORE OPERATING smell all around the appliance area for gas. Be sure to smell next to the floor because some gas is heavier than air and will settle on the floor.

WHAT TO DO IF YOU SMELL GAS

- Do not try to light any appliance.
- Do not touch any electrical switch; do not use any phone in your building.
- Immediately call your gas supplier from a neighbor's phone. Follow the gas supplier's instructions
- If you cannot reach your gas supplier, call the fire department.

C. Do not use this appliance if any part has been under water. Immediately call a qualified service technician to inspect the appliance and to replace any part of the control system and any gas control which has been under water.

A. Cet appareil est équipé d'un dispositif d'allumage qui allume automatiquement la veilleuse. N'essayez pas d'allumer la veilleuse à la main.. Respectez les instructions ci-dessous à la lettre.

B. AVANT D'ALLUMER la veilleuse, renifllez tout autour de l'appareil pour déceler une odeur de gaz. Renifllez près du plancher, car certains gaz sont plus lourds que l'air et peuvent s'accumuler au niveau du sol.

QUE FAIRE SI VOUS SENTEZ UNE ODEUR DE GAZ:

- Ne pas tenter d'allumer d'appareil
- Ne touchez à aucun interrupteur; ne pas vous servir des téléphones se trouvant dans le bâtiment
- Appelez immédiatement votre fournisseur de gaz depuis un voisin. Suivez les instructions du fournisseur.
- Si vous ne pouvez rejoindre le fournisseur, appelez le service des incendies.

C. N'utilisez pas cet appareil s'il a été plongé dans l'eau, même partiellement. Faites inspecter l'appareil par un technicien qualifié et remplacez toute partie du système de contrôle et toute commande qui ont été longés dans l'eau.

LIGHTING INSTRUCTIONS
INSTRUCTION D'ALLUMAGE

1. STOP! Read the safety information above on this label. This appliance is equipped with an ignition device which automatically lights the pilot. Do not try to light the pilot by hand.
2. Set the remote control switch to "OFF".
3. Open the lower louvers, or remove trim and barrier screen.
4. Turn off all electric power to the appliance.
5. Open the gas isolation valve.
6. Wait 5 minutes to clear out any gas. Then smell for gas, including near the floor. If you smell gas, STOP! and follow "B" in the safety information above (and to the left) on this label. If you do not smell gas, go to the next step.
7. Turn on all electric power to the appliance.
8. Set the remote control switch to "ON".
9. If the fireplace does not light, the system will cycle through two trials (one minute of audible clicking, thirty seconds of silence, and then another one minute of audible clicking). If the system locks out due to inadequate gas flow, refer to troubleshooting in instruction manual.
10. If the system will not function correctly, follow the instructions "To turn Off Gas To Appliance" below and call your service technician or gas supplier.
11. Replace louver or trim.

1. ARRÊTEZ! Lisez les instructions de sécurité sur la portion supérieure (à droite) de cette étiquette. Cet appareil est équipé d'un dispositif d'allumage qui allume automatiquement la veilleuse. N'essayez pas d'allumer la veilleuse à la main.
2. Réglez le commutateur à distance sur "OFF".
3. Ouvrez persiennes inférieurs ou garnir.
4. Coupez l'alimentation électrique de l'appareil.
5. Vanne d'isolement de gaz ouverte.
6. Attendre cinq (5) minutes pour laisser échapper tout le gaz. Renifllez tout autour de l'appareil, y compris près du plancher, pour déceler un odeur de gaz. Si vous sentez une odeur de gaz, ARRÊTEZ! Passez à l'étape B des instructions de sécurité sur la portion supérieure (à gauche) de cette étiquette. S'il n'y a pas d'odeur de gaz, passez à l'étape suivante.
7. Réglez le commutateur à distance sur "ON".
8. Allumez l'alimentation électrique de l'appareil.
9. Si le foyer ne se allume pas, le cycle de la volonté du système grâce à deux essais (une minute de clic audible, trente secondes de silence, et puis un autre une minute de clic audible). Si le système se bloque en raison de l'écoulement de gaz insuffisante, voir le dépannage dans le manuel d'instruction.
10. Si le système ne fonctionne pas correctement, suivez les instructions «Pour couper le gaz de l'appareil» ci-dessous et appelez votre technicien d'entretien ou fournisseur de gaz.
11. Persienne fermée ou garnir.

Proflame 885 Board

Proflame 885 Valve

Pilot

TO TURN OFF GAS TO APPLIANCE
POUR COUPER LE GAZ À L'APPAREIL

1. Set the remote control switch to "OFF".
2. Turn off all electric power to the appliance if service is to be performed.
3. Open louver or access panel.
4. Turn incoming gas isolation valve to "OFF" position.
5. Close louver or trim.

1. Réglez le commutateur à distance sur "OFF".
2. Coupez l'alimentation électrique de l'appareil s'il faut procéder à l'entretien.
3. Ouvrez persiennes inférieurs ou porte d'accès.
4. vanne d'isolement de gaz à proximité
5. Persienne fermée ou garnir.

Figure 18.3.01:

53

Operation

18.4 Continuous Pilot on Demand System

This fireplace comes standard with the Continuous Pilot on Demand Ignition System (CPI) option.

This new electronic ignition system is the latest in fireplace technology. It improves the safety of the fireplace and improves the efficiency of the fireplace by reducing waste.

How the system works:

Continuous Pilot on Demand Ignition operates on a seven day cycle.

1. Turn the fireplace is turned on.
2. The pilot will remain lit even if the main burner is off.
3. The 7 day timer will begin
4. The pilot will turn itself off if 7 days pass without the fireplace being started.

When the main burner is lit again the 7 day timer is refreshed.

This means that with frequent use, the pilot will remain lit (known as a standing pilot or continuous pilot).

With infrequent use, the pilot will turn off to reduce the amount of wasted gas.

If the pilot turns off, simply turn the system on again to restart the system.

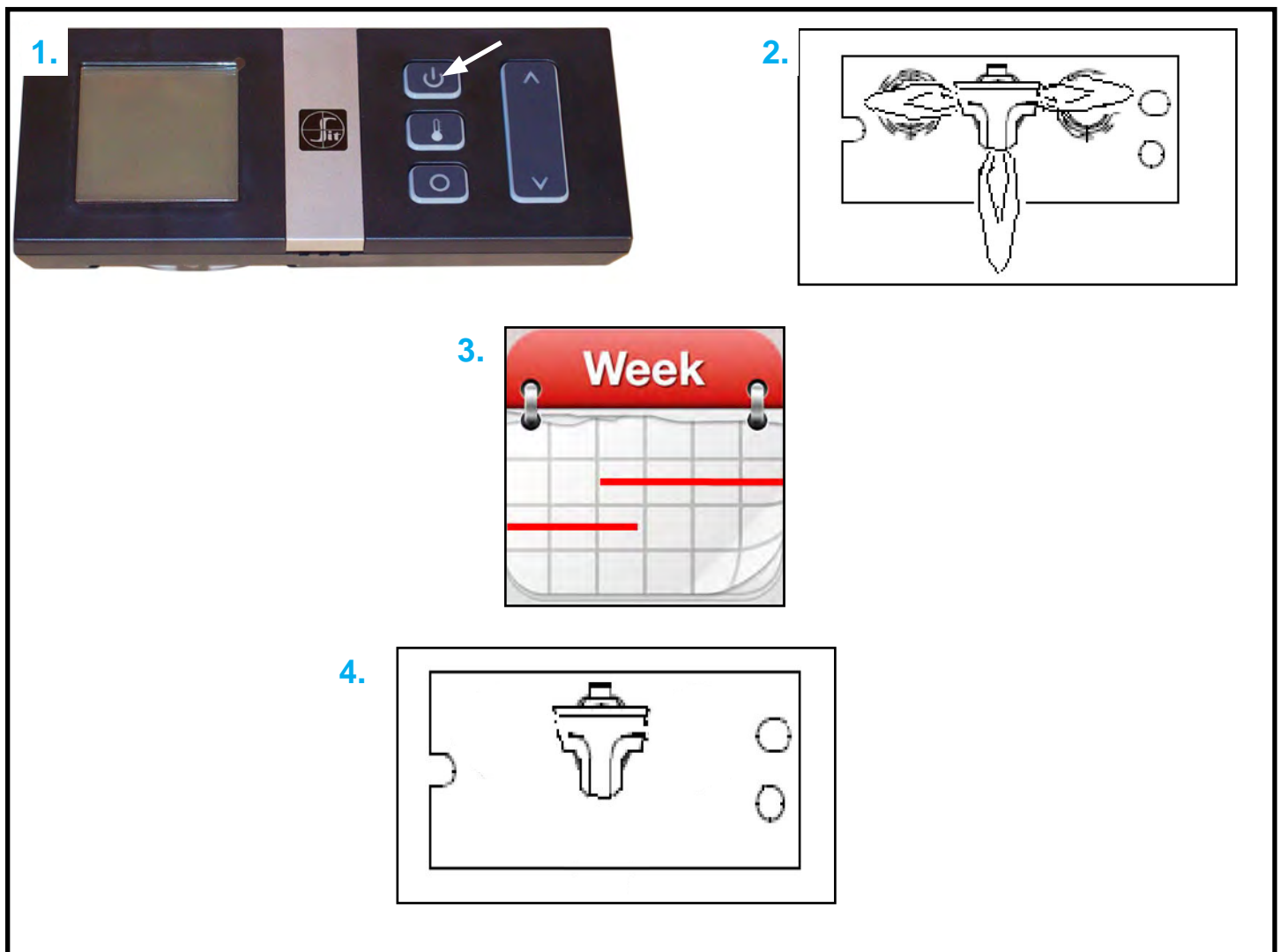


Figure 18.4.01

Operation

18.5 Remote Control Operation

IMPORTANT

The Proflame II Remote is an integrated part of the Proflame II System, which consists of a Proflame II Remote, to be used in conjunction with Integrated Fireplace Control (Proflame II Control Module).



Figure 18.5.01

The Proflame II Remote provides for controlling the following hearth appliance functions:

1. Main Burner ON/OFF
2. Main Burner flame modulation (6 levels)
3. Choice of standing or intermittent pilot (CPI/IPI)
4. Manual, Thermostat, and SMART thermostat functions
5. Splitflow Valve Control
6. Comfort fan speed modulation (6 levels) - not available on this fireplace
7. Variable lights (6 levels) - not available on this fireplace

The Proflame II Remote uses a streamline design with a simple button layout and informative LCD display. A Mode Key is provided to index between the features and a Thermostat Key is used for on/off or to index through the thermostat function. Additionally a Key Lock function is provided.

ATTENTION

- TURN OFF THE MAIN GAS SUPPLY DURING INSTALLATION OR MAINTENANCE OF THE RECEIVER DEVICE
- TURN OFF MAIN GAS SUPPLY TO THE APPLIANCE PRIOR TO REMOVING OR REINSERTING THE BATTERIES
- IN CASE OF REMOTE CONTROL MALFUNCTION TURN OFF THE IFC DEVICE USING THE 'ON/OFF" MAIN SWITCH
- FOR INSTALLATION/MAINTENANCE SWITCH OFF THE IFC DEVICE BY REMOVING MAIN POWER SUPPLY PLUG.

Technical Data - Remote Control

Supply Voltage	4.5 V (three (3) 1.5V AAA batteries)
Ambient temperature ratings	0 - 50°C (32 - 122°F)
Radio Frequency	315 MHz

Operation

Remote Display

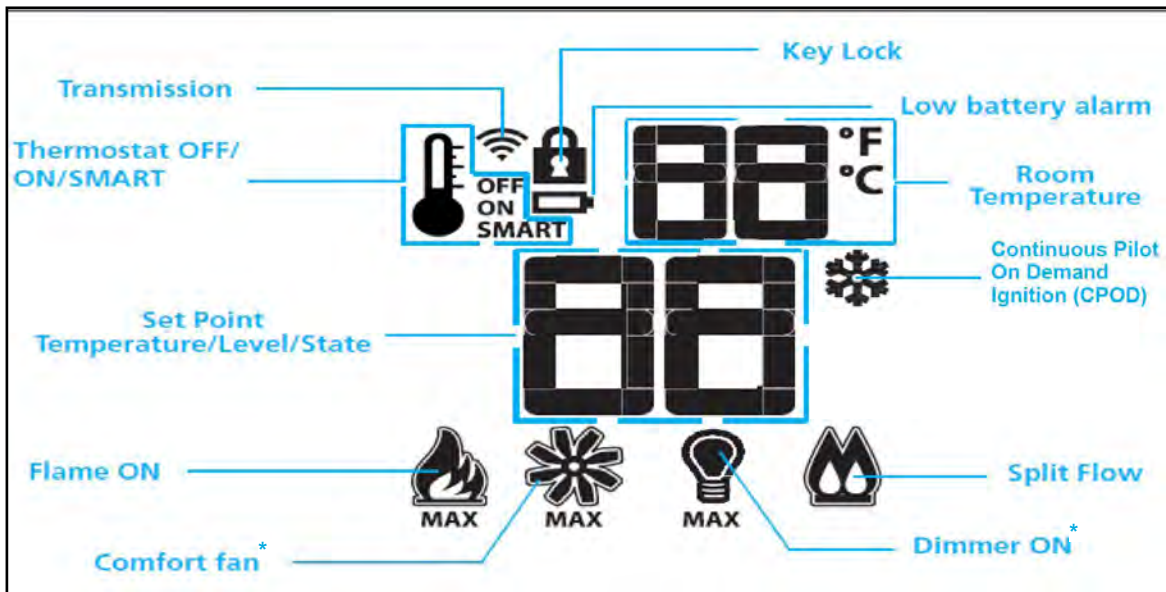


Figure 18.5.02

* Not available on this fireplace

WARNING

THE REMOTE AND RECEIVER ARE RADIO FREQUENCY DEVICES. PLACING THE REMOTE IN OR NEAR METAL ENCLOSURES MAY REDUCE THE SIGNAL RANGE.

Handheld Remote (optional)



Figure 18.5.03

Operation

Initializing the System for Handheld / Wall Mount Remote Operation

1. Connect IFC Control Module to AC power supply. A single beep will indicate the presence of power. **NOTE: This will initiate Pilot Start-up in Manual Mode. The pilot will spark repeatedly and ignite if gas has been supplied to the unit. Sync the control board to the remote to turn main burner and pilot off using the steps below.**
2. The ON/OFF Override Jumper on the control board must be connected.
3. Press and hold the red SW1 button until the IFC module beeps three (3) times and/or the amber LED illuminates indicating the module is ready to synchronize with the remote.
4. Within ten (10) seconds push the ON/OFF key on the remote. The IFC module will beep four (4) times to indicate that it has successfully synced with the remote. Turn the fireplace OFF using the ON/OFF button on the remote to complete initialization. The remote will now control the fireplace.
5. Install the provided four (4) AA batteries into battery back up holder.

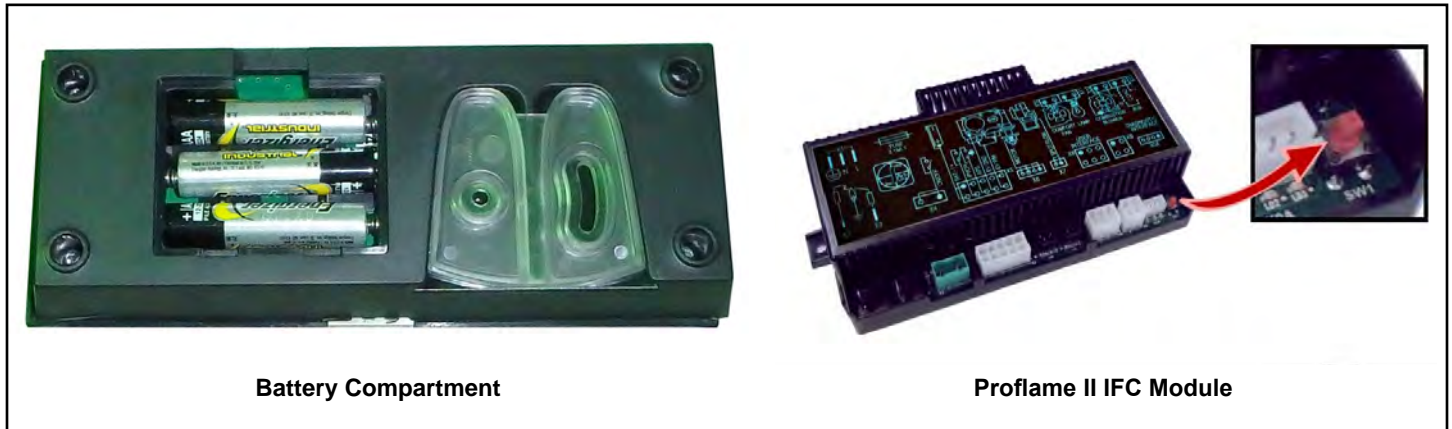


Figure 18.5.04:

Turn ON the Appliance

With the system OFF, press the ON/OFF Key on the Remote. The Remote display will show other active icons on the screen. At the same time the Receiver will activate the appliance. A single beep from the receiver will confirm reception of the command.

Turn OFF the Appliance

With the system ON, press the ON/OFF Key on the Remote. The Remote display will show the current room temperature. At the same time the Receiver will turn the appliance off. A single beep from the receiver will confirm reception of the command.

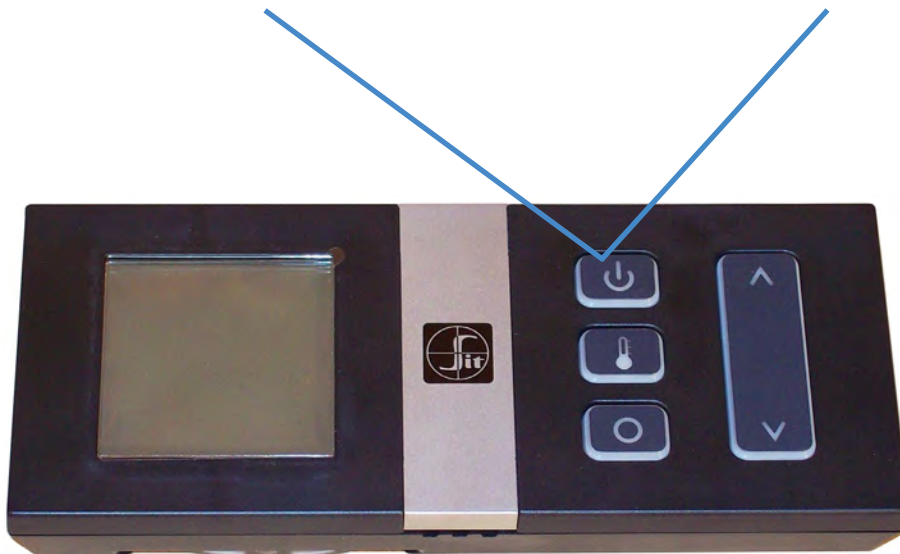


Figure 18.5.05:

Operation

Temperature Indication Display

With the system in the OFF position, press the Thermostat Key and the Mode Key at the same time to switch between Fahrenheit (F) or Celsius (C). Verify on the LCD screen the correct designation is visible.

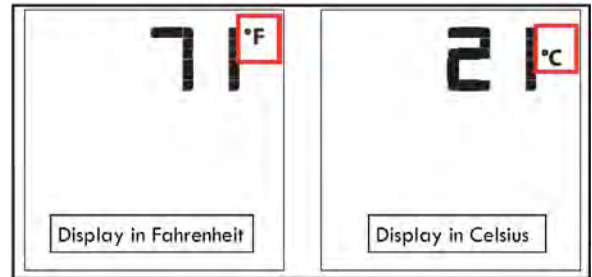


Figure 18.5.06:

Variable Flame Control

This function is disabled when in SMART Thermostat Mode

The Proflame II IFC has six (6) flame levels. With the system ON and the flame at maximum in the appliance, pressing the Down Arrow Key once will reduce the flame height by one step. Repeat to lower the flame till OFF.

The UP Arrow Key will increase the flame height each time it is pressed.

If the UP Arrow Key is pressed while the system is on but the flame is off, the flame will activate in the high setting. A single beep will confirm reception of the command.

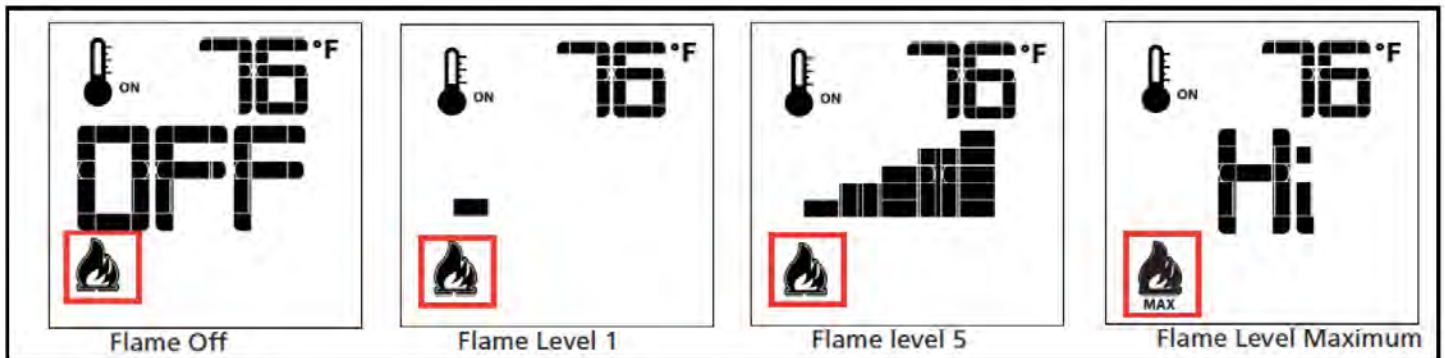


Figure 18.5.07:

Fan Speed Control (not available on this fireplace)

If the appliance is equipped with a hot air circulating fan, the speed of the fan can be controlled by the Proflame II system. The fan speed can be adjusted through six (6) speeds. To activate this function use the Mode Key to index to the fan control icon. Use the Up/Down Arrow Keys to turn on, off or adjust the fan speed. A single beep will confirm reception of the command.

In manual mode the fan will activate immediately upon burner ignition. Adjust the fan speed to personal preference. Blower will shut off when the burner is extinguished.

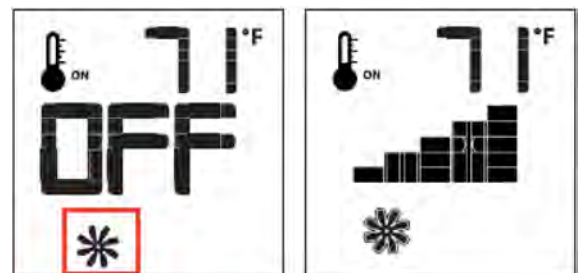


Figure 18.5.08:

Dimmer Control (Light - not available on this fireplace)

This function is used to control the variable lights. To activate this function use the Mode Key to index to the variable light icon.

The intensity of the output can be adjusted through six (6) levels. Use the Up/Down Arrow Keys to adjust the output level. A single beep will confirm reception of the command.

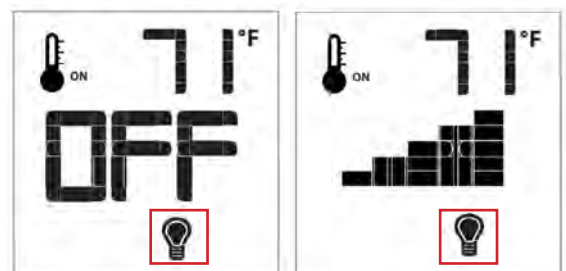


Figure 18.5.09:

Operation

Room Thermostat (Remote Operation)

The Remote Control can operate as a room thermostat. The thermostat can be set to a desired temperature to control the comfort level in a room. To activate this function:

- Press the Thermostat Key. The LCD display on the remote will change to show that the room thermostat is ON and the set temperature is now active
- To adjust the temperature, press the Up/Down Arrow Keys until the desired temperature is displayed

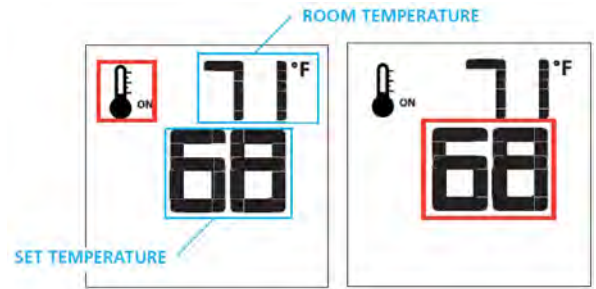


Figure 18.5.10:

SMART Thermostat (Remote Operation)

The Smart Thermostat function adjusts the flame height automatically in accordance to the difference between the set point and the actual room temperature. As the room temperature approaches the set point, the Smart Function will modulate the flame down.

To activate this function:

- Press the Thermostat Key until the word "SMART" appears to the right of the temperature bulb graphic
- To adjust the set temperature, press the Up/Down Arrow Keys until the desired set temperature is displayed

NOTE

When the fireplace is started in Smart Thermostat mode:

1. Manual Flame height adjustment is disabled.
2. Split flow will not engage as part of the flame modulation.

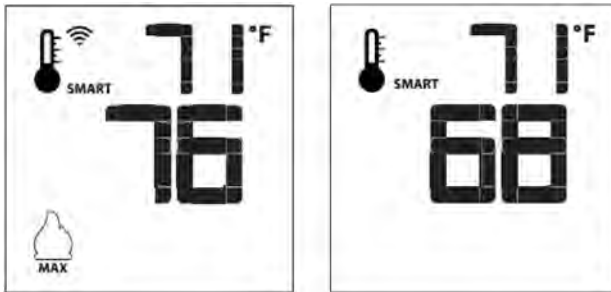


Figure 18.5.11:

Split Flow Control

The secondary burners are controlled by the split flow valve. To activate this function, use the mode key to index to the SPLIT FLOW mode icon (See **Figure 18.5.02**). Press the UP arrow key to activate the secondary burners. Press the DOWN arrow to deactivate the secondary burners. A single "beep" will confirm reception of the command.

Note: Split Flow Control must be operated manually and will not toggle on or off with thermostatic control.

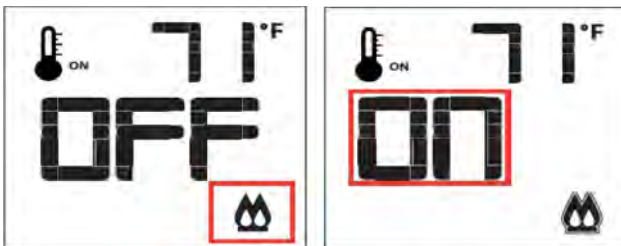


Figure 18.5.12:



Figure 18.5.13:

Operation

Continuous Pilot / Intermittent Pilot (CPI/IPI) Selection

With the system in OFF position press the Mode Key to index to the CPI mode icon.

Pressing the UP Arrow Key will activate the Continuous Pilot Ignition mode (CPI). Pressing the Down Arrow Key will return to IPI. A single beep will confirm the reception of the command.

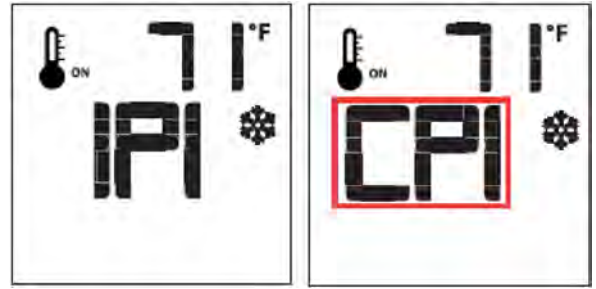


Figure 18.5.14:

NOTE

This system is shipped from the factory with a CPI/IPI Wire that enables the ability to switch between CPI/IPI with the remote.

To disable the Continuous Pilot selection ability via the remote, cut the blue wire shown in the picture and protect exposed ends to prevent shorting. Once this connection is severed, the appliance will not switch to standing pilot even if the remote shows a CPI mode. See **Section 19.8**.

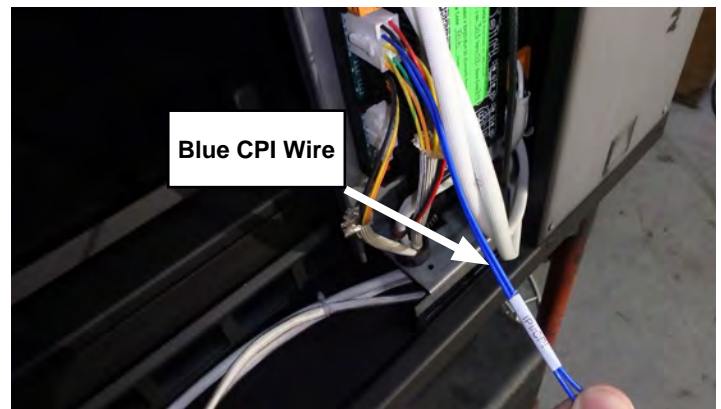


Figure 18.5.15:

CPI vs IPI:

Continuous Pilot Ignition (CPI): Also known as standing pilot. In this mode the pilot runs continuously even when the main burner is off, reducing condensation and assisting smoother starts.

Intermittent Pilot Ignition (IPI): A mode in which the pilot is only used when the main burner is on.

This appliance is shipped in IPI mode. IPI mode is often the preferred method, however, there are some situations where it may be preferable to switch the fireplace into CPI mode. These situations include:

- **Very Cold Conditions** - When temperatures are colder the burner may not light as quickly. In this situation, the flames will lift off the burner
- **Excessive Condensation on Glass** - Some installations could encounter excessive fogging on the glass door after startup (not just initial startup)
- **Cold Glass or Fireplace Front** - In colder climates the glass door or the front of the fireplace could become very cold
- **Insect Control** - Insect nests inside the fireplace or gas lines can cause combustion issues which will lead to unplanned service calls. The heat from the pilot will help deter spiders or other insects during the off season.

CPI mode may be disabled if desired or required by local code as shown in **Section 19.8**.

Operation

Automatic Safety Shut-Off

This system will execute an automatic turn OFF command after a 24hr continuous main burner flame ignition. This allows the system to verify correct safety functions.

Diagnostic Indications Information

LOW BATTERY CONDITION (Less than 4V):

Remote Control

- Battery Icon will appear on LCD remote control display. Replace batteries.

Battery Back-up

- Red LED indicator will enter a (1) blink sequence. IFC Module will emit a double-beep when it receives an ON/OFF command from the hand held remote. Replace batteries.

Pilot Flame Error Condition:

- Red LED Indicator will commence a (2) blink sequence. Contact your dealer if this occurs.

System Lock Out Condition:

- Red LED Indicator will commence a (3) blink sequence. Make sure your gas is turned on.
- Make sure pilot sensor is not shorted out.
- If the system is in a locked state, reset the IFC module as follows: Turn off all power to the IFC module for at least 2 seconds (including the backup battery pack), then restore power to the IFC module.

Key Lock

This function will lock the keys to avoid unsupervised operation.

- To activate this function, press the MODE and UP Keys at the same time
- To deactivate this function, press the MODE and UP Keys at the same time



Figure 18.5.16:

Low Battery Power Detection (Less than 4V)

Remote

The life span of the remote control batteries depend on various factors:

- Quality of the batteries used
- The number of ignitions of the appliance
- The number of changes to the room temperature set point, etc

When the Remote batteries are low, a Battery Icon will appear on the LCD display of the Remote before all battery power is lost. When the batteries are replaced this icon will disappear.



Figure 18.5.17:

BACKUP BATTERY PACK (used when 120V home electrical power is interrupted):

- Red LED indicator on the IFC Module will enter a (1) blink sequence
- Backup batteries lifespan depends on various factors including battery quality, number of ignitions, changes to room thermostat set point, etc. When batteries are low, a double beep will be emitted from the IFC control module when it receives an ON/OFF command from the remote control
- This is an alert for a low battery condition of the backup batteries and after this double-beep warning, no commands will be accepted until batteries are replaced
- When batteries are replaced a beep will be emitted from IFC control module as soon as powered

Maintenance

19.0 Maintenance

CAUTION:

Do not conduct maintenance on the appliance while it is operating or while it is still hot. Always verify proper operation after servicing.

19.1 Cleaning and Routine Maintenance

The exterior painted surfaces, glass, and metal plated trims may be cleaned with a soft, non-abrasive cloth and water or a suitable, mild, non-abrasive cleaner. Be sure there are no fingerprints left on the glass panels as high temperatures can bake these prints on permanently.

Regularly:

- Frequent cleaning of the ceramic glass is recommended. We recommend using a good quality ammonia free gas fireplace glass cleaner that is available at any hearth retail location. Take care to avoid scratching glass while cleaning. **DO NOT CLEAN WHILE HOT.** Never use common household cleaners to clean the glass.
- Keep the appliance area free from combustible materials, such as paper, wood, clothing, gasoline and flammable solids, liquids and vapors.
- Visually check the height and color of the burner and pilot flames.
- Touch up the paint as needed using a high temperature metallic black paint. Allow the paint to dry prior to lighting the fireplace.

Once a year, have a qualified service technician:

- Perform the regular services listed above
- Inspect and operate the pressure relief mechanism (door buckles) to verify they are free from obstruction and operate properly
- Carefully remove the logs and gently brush off any loose carbon deposits. This job is best done outside the house, wearing a dust mask. The logs are very fragile, take care not to break them. Do not wash logs with any liquid. While the logs are removed, check that all burner openings are not obstructed and it is recommended you use a vacuum cleaner to clean off any dust or lint
- After cleaning, the logs and embers must be replaced according to the instructions in this manual
- Vacuum and clean any lint accumulations or debris in the firebox, on the burners, on the pilot, at the primary air opening, and in any combustion and convection air passageways
- Inspect the operation of the flame safety system pilot and gas valve
- Inspect and ensure the lighting of the main burner occurs within 4 seconds of the main gas valve opening. Flames should match those shown in **Figure 19.5.01**
- Completely inspect the appliance and the venting system, if the vent pipe or seal is found to be defective, replace and or reseal (follow the instructions found in the venting instructions, **Section 10.0**)
- Inspect the condition of the vent and vent terminal for sooting or obstruction and correct if present
- Test and measure the flame failure response time of the flame safety system. It must de-energize the safety shutoff in no more than 30 seconds
- Check all accessible gas-carrying tubes, connections, pipes and other components for leaks

WARNING: All parts removed or disturbed, including guards and grills, must be properly replaced after maintenance. Service and repair must be conducted by a qualified service person. If these instructions are not followed, a fire or explosion may result, causing property damage, personal injury or loss of life.

19.2 Servicing Under Warranty

Before servicing, read the terms and conditions of the warranty at the back of this manual. Contact the authorized Brigantia dealer where you purchased the appliance from and provide them with details of the problem, along with the initial installation information (from the front of this manual).

WARNING: Servicing of this appliance **must be conducted by a qualified service technician**. Improper servicing, adjustment or alteration of this appliance may cause property damage, personal injury or loss of life. All servicing should be conducted with the appliance cold. All replacement parts must be authorized by Archgard for suitability.

19.3 Checking Inlet and Outlet Pressure

1. Remove the surround.
2. The pressure test taps are located on the valve's front face. The inlet is marked "IN" and the outlet is marked "OUT". See **Figure 19.3.01**.
3. Loosen the set screw inside the tap with a 3/16" flathead screwdriver.
4. Connect a 1/4" (6 mm) rubber tube to the tap post and a manometer.
5. Verify that the readings obtained are within specs (as shown on the appliance rating plate)
6. Be sure to tighten the set screw inside the tap after you have finished taking pressure readings.
7. Check for leaks.

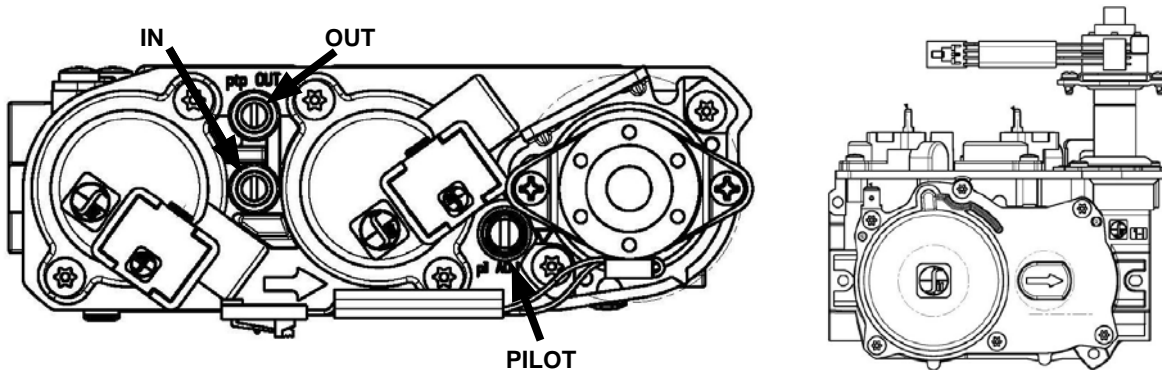


Figure 19.3.01

19.4 Checking and Adjusting Pilot

The pilot flames should have the characteristics shown in the illustration to the right.

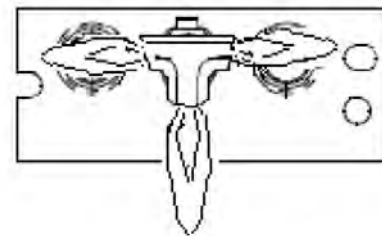


Figure 19.4.01

The flame should not have yellow tips but should engulf the flame sensor and spark electrode. It can be adjusted by turning the screw marked "pilot" on the control valve (See **Figure 19.3.01**).

It may be necessary to remove the pilot cover for a better view of the pilot flame (see next page).

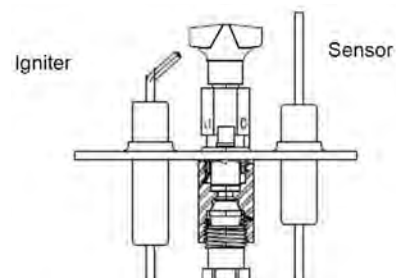


Figure 19.4.02

19.5 Adjusting the Primary Air

The Excellence includes three air shutters located under the door of the fireplace which may be used to adjust the primary air to achieve the ideal flame as shown in **Figure 19.5.01**. To adjust, loosen the wing nut on the air shutter and adjust as shown in **Figure 19.5.02**. To open the air shutter and increase air flow to the burner, slide the air shutter to the left. To close the air shutter and decrease air flow to the burner, slide the air shutter to the right.

CAUTION: Do not adjust primary air below specified opening on the rating plate.

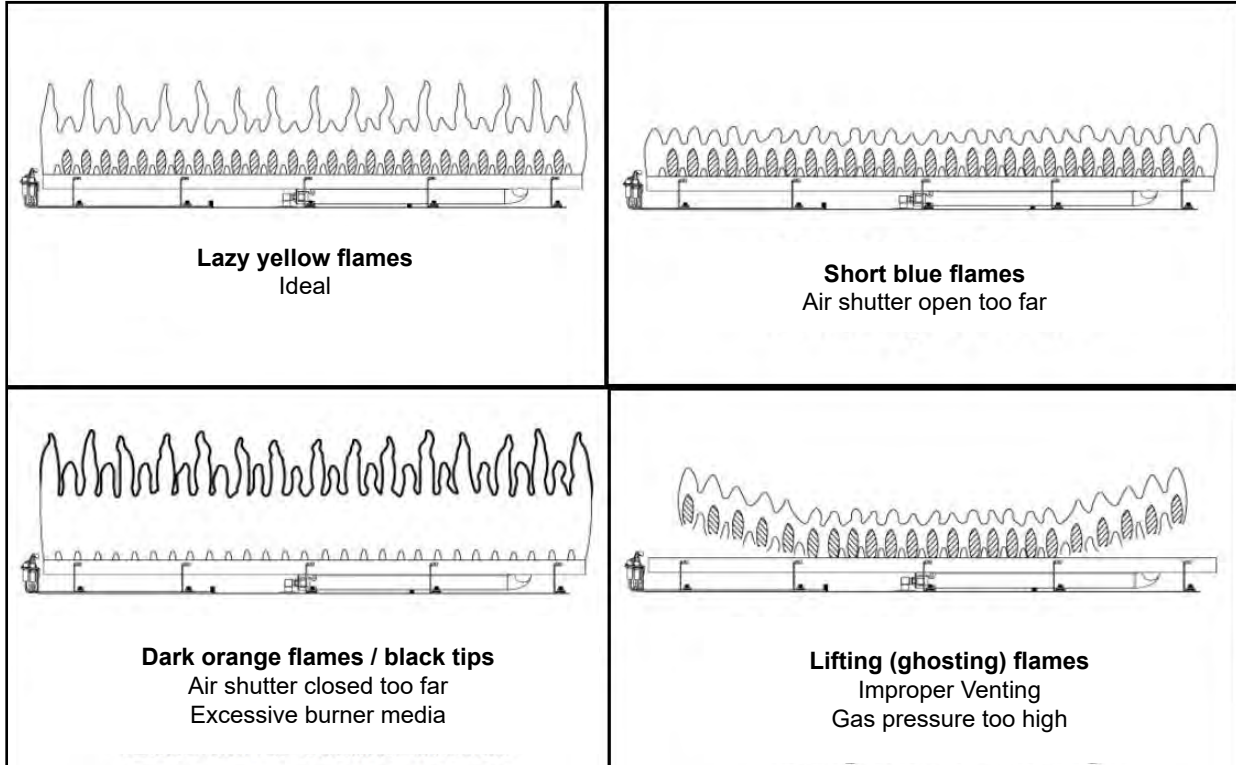


Figure 19.5.01:

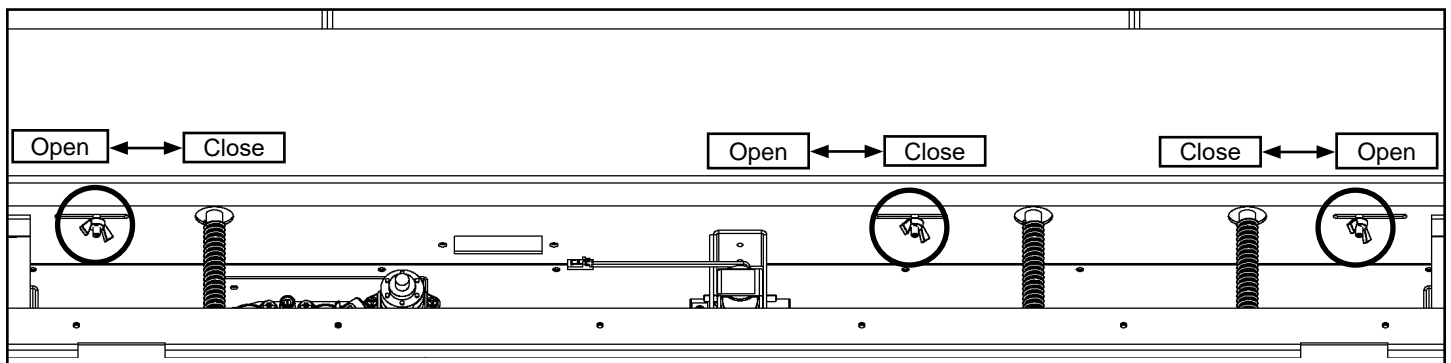


Figure 19.5.02:

The main burner flame should be about 1/3 the height of the viewing area and be strong without wispy or ghosting tips.



Figure 19.5.03:

Maintenance

19.6 Replacing Batteries

1. Disconnect power supply to the fireplace.
2. Ensure the fireplace is off and cool before servicing.
3. Turn off gas supply.
4. Remove the fireplace surround (see **Section 6.5**).
5. Remove the battery holder from under the firebox.
6. Replace the batteries return the battery holder.
7. Light the fireplace to verify proper operation.
8. Resupply power once fireplace operation has been confirmed.
9. Replace the fireplace surround and barrier screen.

Battery Specifications: 4 x AA Batteries

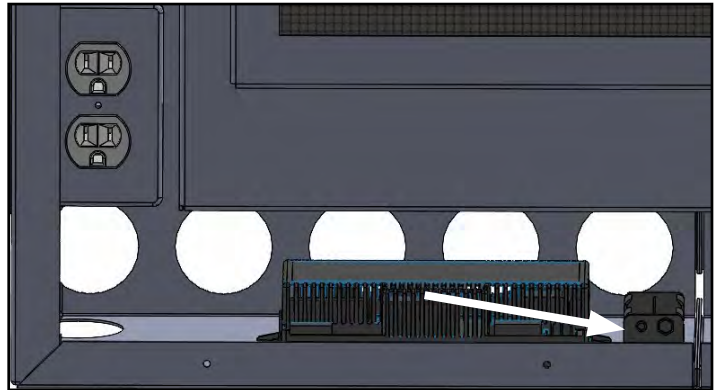


Figure 19.6.01:

19.7 Replacing Fuse

1. Disconnect power supply to the fireplace (including backup batteries).
2. Ensure the fireplace is off and cool before servicing.
3. Turn off gas supply.
4. Remove the fireplace surround (see **Section 6.5**).
5. Remove the fuse holder from the control board.
6. Replace the fuse with one which has the same specifications using the existing fuse holder.
7. Resupply power and light the fireplace to verify proper operation.
8. Replace the fireplace surround and barrier screen.

Fuse type: T3.15AL250V
Part Number: RP-305-2080



Figure 19.7.01:

19.8 Disabling CPI

CAUTION: Label all wires prior to disconnection when servicing controls. Wiring errors can cause improper and dangerous operation. Verify proper operation after servicing. This appliance, when installed, must be electrically grounded in accordance with local codes or, in the absence of local codes, with the **National Electrical Code, ANSI/NFPA 70, or the Canadian Electrical code, CSA C22.1.**

If you have to disable continuous pilot ignition (CPI) for any reason, follow the steps below:

1. Ensure the fireplace is off and cool before servicing.
2. Disconnect power supply to the fireplace (including backup batteries).
3. Turn off gas supply.
4. Remove the fireplace surround (see **Section 6.5**).
5. Pull the blue CPI wire from the insulation sleeving and cut the wire. Protect both ends of the wire.
6. Replace the wire fireplace surround and barrier screen.
7. Resupply power and Light the fireplace to verify proper operation.

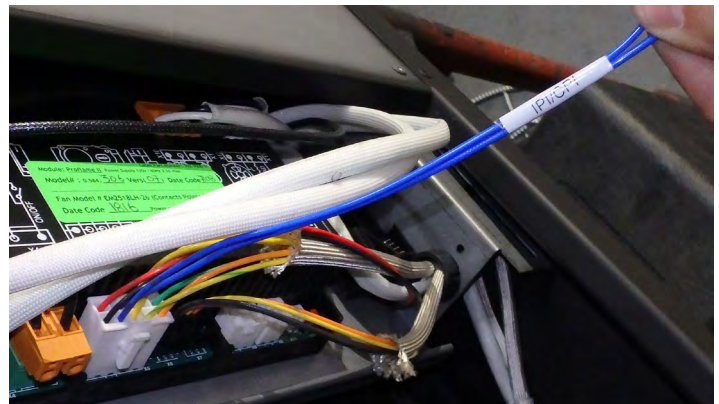


Figure 19.8.01:

19.9 Replacing the Control Board

CAUTION: Label all wires prior to disconnection when servicing controls. Wiring errors can cause improper and dangerous operation. Verify proper operation after servicing. This appliance, when installed, must be electrically grounded in accordance with local codes or, in the absence of local codes, with the **National Electrical Code, ANSI/NFPA 70, or the Canadian Electrical code, CSA C22.1.**

Before you begin:

- **Ensure the fireplace is off and cool before servicing**
 - **Disconnect power supply to the fireplace (including backup batteries)**
 - **Turn off gas supply**
 - Remove the fireplace surround (see **Section 6.5**)
1. Mark all the wires connected to the control board as you unplug them from the control board.
 2. Pull the old control board from the fireplace to remove.
 3. Plug the wires into the new control board.

Final steps:

- Replace the fireplace surround (see **Section 6.5**)
- Resupply gas to the fireplace
- Resupply power to the fireplace

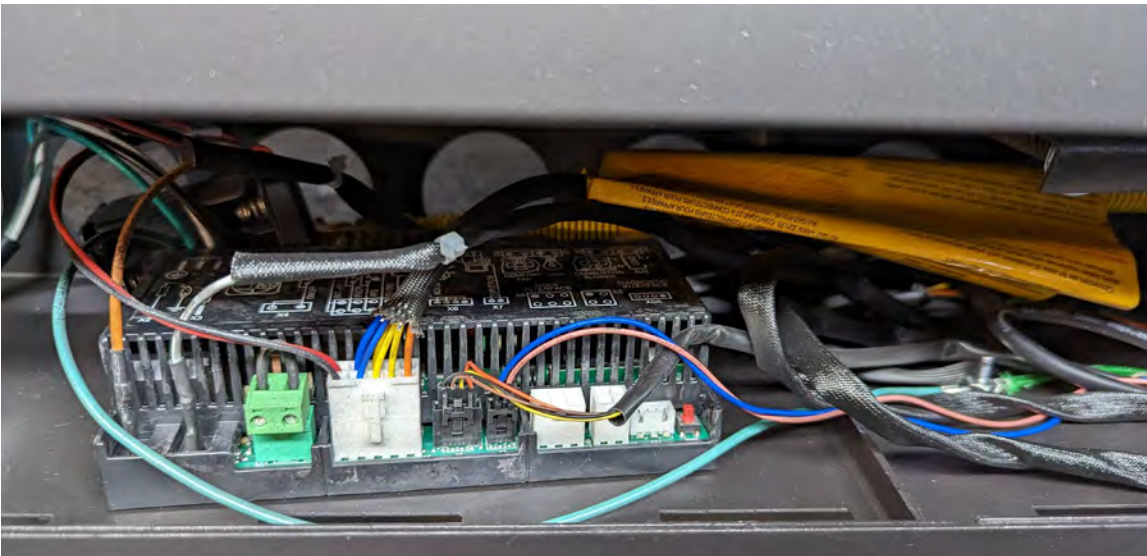


Figure 19.09.01:

19.10 Wiring Schematic

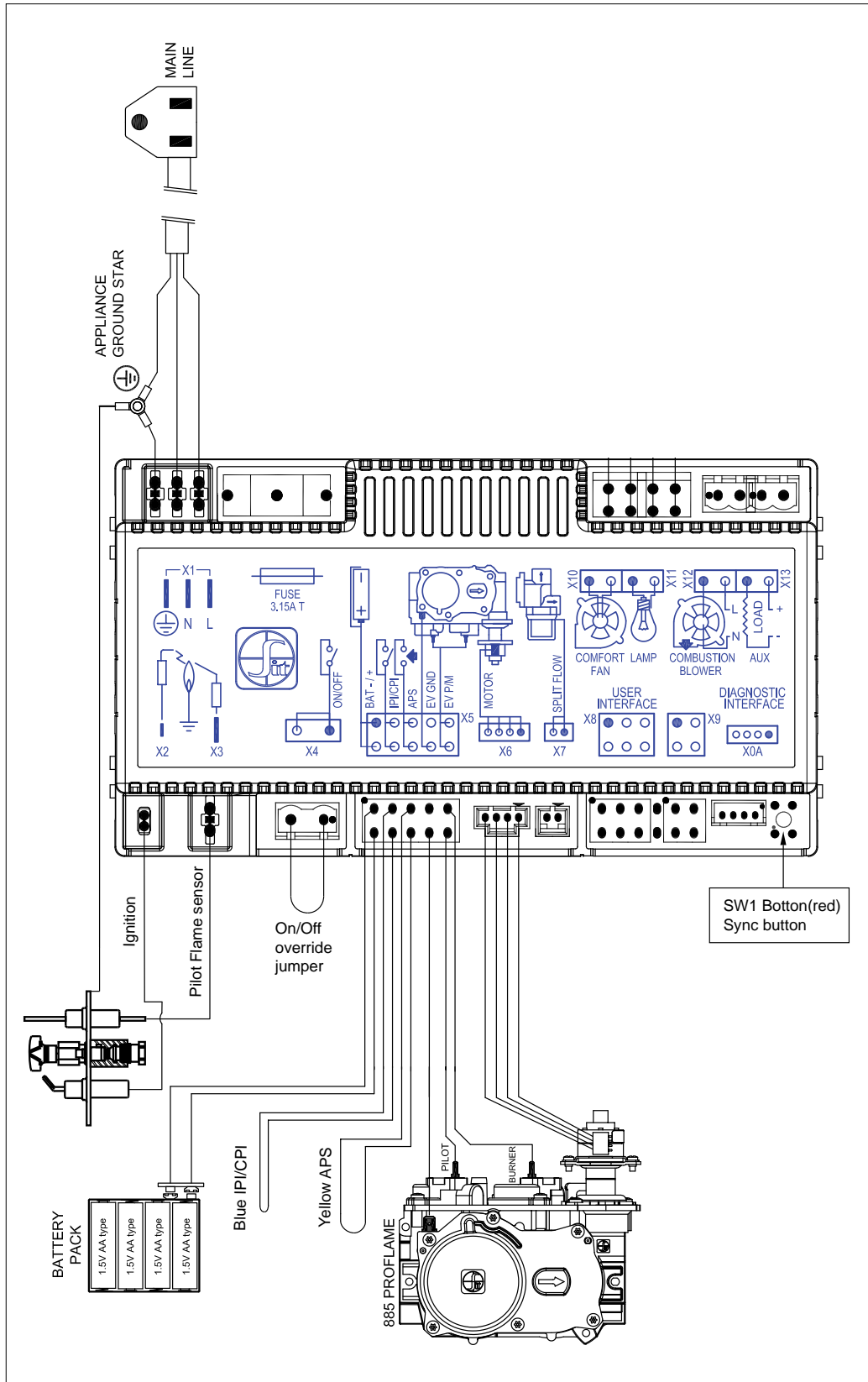


Figure 19.10.01

19.11 Replacing the Burners

The Brigantia Excellence includes three (3) burners.

Before you begin:

- Ensure the fireplace is off and cool before servicing
- **Ensure the gas supply is turned OFF and disconnect the power supply (including backup batteries)**
- Remove the fireplace surround (see **Section 6.5**)
- Remove the barrier screen (see **Section 6.3**)
- Remove Glass Door (see **Section 6.4**)
- Remove burner media (see **Section 17.0**)
- Remove Reflective Glass Panels (if installed, see **Section 16.3**)
- Remove the Side Panels and Baffle (see **Section 16.2**)
- Remove the Rear Panels (see **Section 16.1**)

Step 1: Remove the (4) tek screws securing each burner.

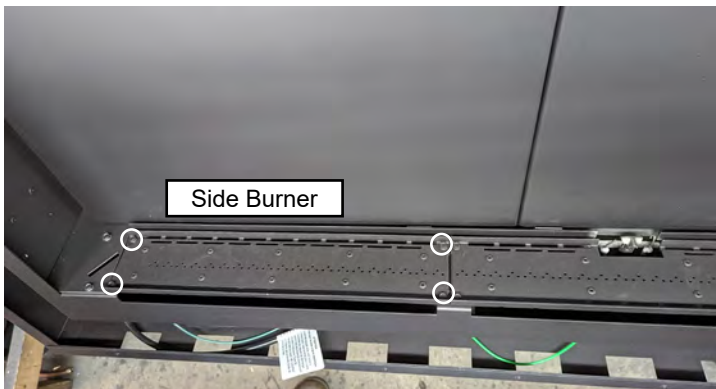


Figure 19.11.01:

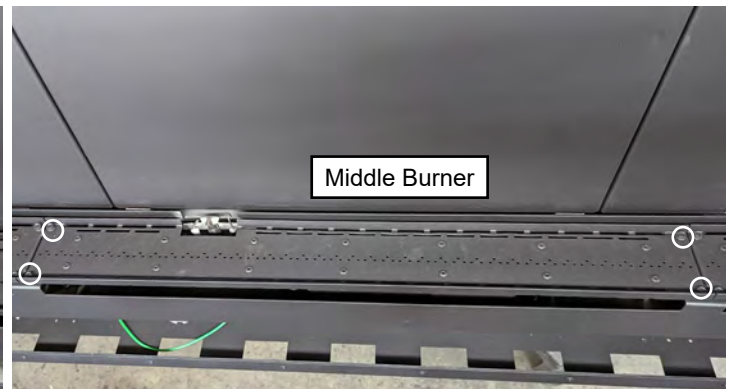


Figure 19.11.02:

Step 2: Remove the side panel brackets on each side of the fireplace.



Figure 19.11.03:

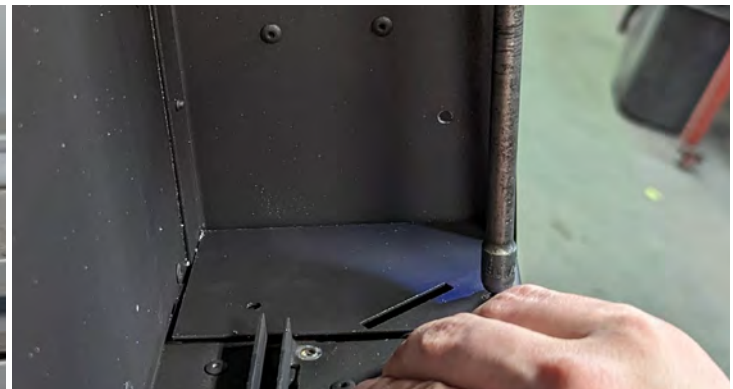


Figure 19.11.04:

Maintenance

Step 3: Slide the left side burner toward the left and up to clear the air shutter.



Figure 19.11.05:

Step 4: Slide the right side burner toward the right and up to clear the air shutter. Do not mix up the left and right side burners.



Figure 19.11.06:

Step 5: Slide the middle burner toward the left. Take care to avoid damaging the pilot.



Figure 19.11.07:

Step 6: Lift the burner toward the left and up to clear the air shutter.



Figure 19.11.08:

Installation is the reverse of removal.

Important: Ensure the side burners are installed in the correct orientation (see **Figure 19.11.09**). If the sides are reversed, the holes in the burner will not align and the flame will not carry over.

Check operation of air shutter when reinstalling the burner.
See **Section 19.5**.

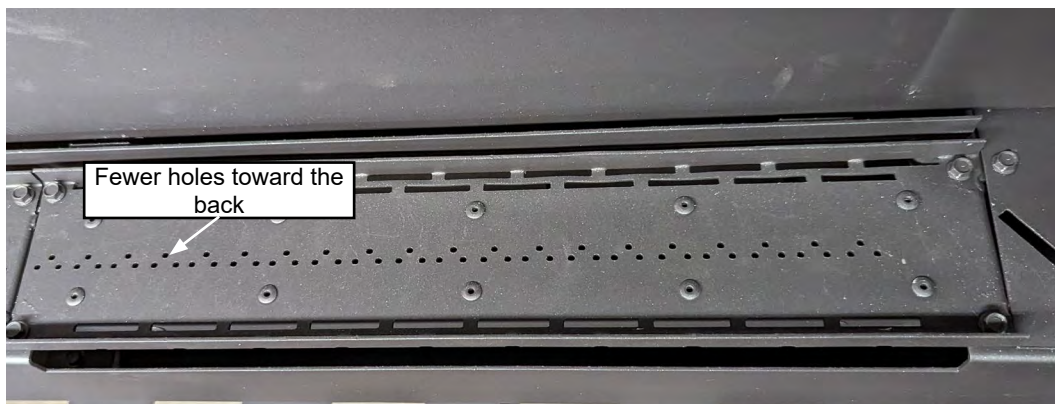


Figure 19.11.09:

19.12 Replacing the Pilot

Before you begin:

- Ensure the fireplace is off and cool before servicing
- **Ensure the gas supply is turned OFF and disconnect the power supply (including backup batteries)**
- Remove the fireplace surround (see **Section 6.5**)
- Remove the barrier screen (see **Section 6.3**)
- Remove Glass Door (see **Section 6.4**)
- Remove burner media (see **Section 17.0**)
- Remove Reflective Glass Panels (if installed, see **Section 16.3**)
- Remove the Side Panels and Baffle (see **Section 16.2**)
- Remove the Rear Panels (see **Section 16.1**)
- Remove the middle burner (see **Section 19.11**)

Step 1: Unplug the pilot wires from the control board.

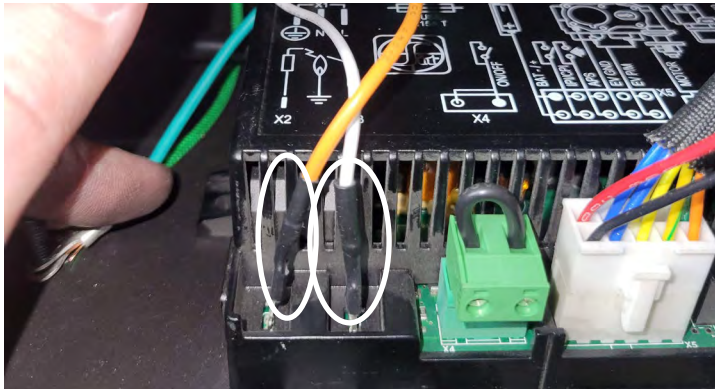


Figure 19.12.01:

Step 2: Remove the pilot gas line from the valve.

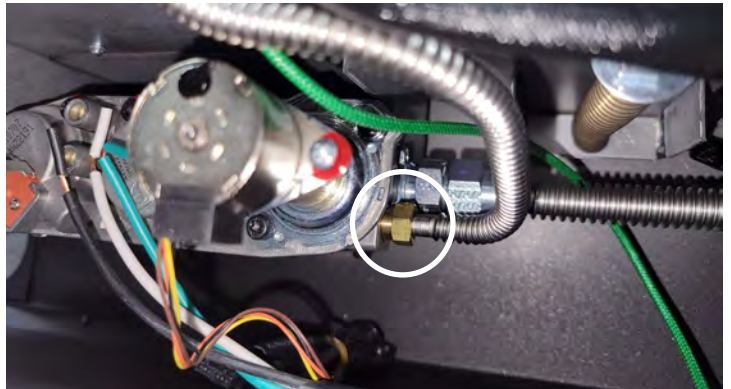


Figure 19.12.02:

Step 3: Remove the (2) tek screw securing the pilot.



Figure 19.12.03:

Step 4: Remove the pilot.

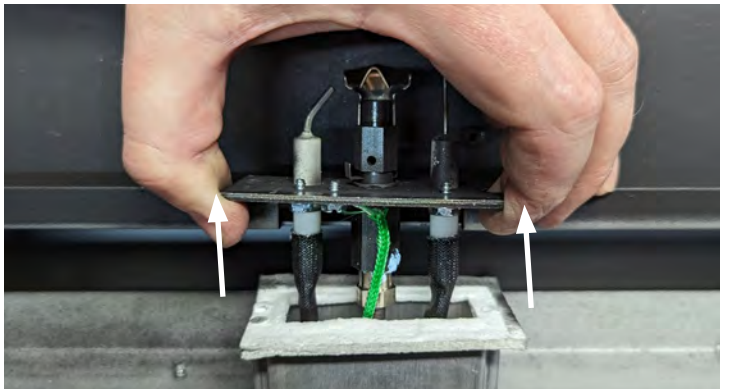


Figure 19.12.04:

Installation is the reverse of removal.

CAUTION: Label all wires prior to disconnection when servicing controls. Wiring errors can cause improper and dangerous operation. Verify proper operation after servicing. This appliance, when installed, must be electrically grounded in accordance with local codes or, in the absence of local codes, with the **National Electrical Code, ANSI/NFPA 70, or the Canadian Electrical code, CSA C22.1.**

Maintenance

19.13 Troubleshooting

Issue	Solution
The pilot igniter won't spark.	<ol style="list-style-type: none">1. Ensure the ON/OFF override jumper is installed correctly.2. Ensure main power is ON and new batteries are installed in the remote control (3 x AAA) and backup battery pack on the control board (4 x AA).3. Make sure remote is synced with control board.4. Check the 3.15A fuse in the control board. Replace the fuse if necessary.5. Make sure remote is not in smart or thermostat mode.6. Ensure igniter wire is connected to the control board and is not damaged.
The pilot igniter sparking, but the pilot will not light.	<ol style="list-style-type: none">1. Verify the inlet gas pressure is within acceptable limits.2. Check all connections to the gas valve.3. Ensure fuel supply valves and emergency shut-off valve are open.4. Check wiring connections from control board to valve.5. Check that the pilot is set to the correct fuel.6. Ensure pilot head is clear of debris.
The pilot lights, but the main burner will not light.	<ol style="list-style-type: none">1. Check and verify all wiring connections match the wiring diagram.2. Verify the inlet and manifold pressure are within acceptable limits.
The pilot lights, but the main burner will not light and igniter continues to spark.	<ol style="list-style-type: none">1. Check the pilot flame sensor rod and clean with steel wool or similar if dirty.2. Check the pilot hood and clean with steel wool if dirty.3. Ensure the flame sensor wire is plugged into the control board and is not damaged.4. Adjust pilot flame using the pilot adjustment screw if the pilot flame is too long or too short (the flame should fully engulf the sensor rod and must be stable).5. Check supply pressure.6. Ensure the ground wire from the pilot is connected to the fireplace ground location.
Control module beeps twice when On/Off button on remote is pressed and Red LED is On.	<ol style="list-style-type: none">1. Replace batteries in remote battery pack.

All service and repairs should be performed by a qualified and licensed service technician.

20.0 Frequently Asked Questions

Listed below are some frequently asked questions regarding Brigantia Gas Fireplaces. If you have questions that are not listed below, or are not answered in this manual, please contact your Authorized Brigantia Dealer.

Q. My glass has a condensation "fog" when the appliance is first lit.

A. Condensation is normal and will disappear in a few minutes after the glass is heated. This can be reduced if the appliance is left in CPI mode.

Q. I have a white "film" on my glass. What is the best way to clean the inside of the glass.

A. Frequent cleaning of your glass is recommended. The white film cannot be removed using standard household glass cleaner. We recommend using a good quality, ammonia-free gas fireplace glass cleaner which is available at all authorized Brigantia dealers. Do not use abrasive materials, and do not clean the glass or the appliance when the unit is hot. Never use ammonia based cleaners to clean the glass door.

Q. I hear a "ticking", "cracking" or "pinging" sound when my fireplace is running, and after it is turned off.

A. The different gauges of steel used to manufacture your fireplace will expand and contract at different rates when your fireplace is on, and will continued as your fireplace completes its heating function. You will likely hear these same sounds more on start up and shut down. This is normal for steel fireplaces.

Q. I hear a "click" when my main burner turns ON or OFF.

A. Your Gas Control Valve will make a clicking sound when it opens to allow gas to flow to the main burner. This is a normal part of the operating system.

Q. Can I burn wood and other materials in my gas fireplace.

A. No! Burning anything other than the fuel (natural gas or propane) the fireplace is setup for will create a potential fire hazard and present a danger to your home and its occupants and possibly void your manufacturer's warranty. Only burn the gas fuel for which the unit was originally designed.

Q. Can I shut my pilot off in the summer?

A. You will save energy by turning off the pilot light if you are not using your appliance for the hot summer months. When in CPI mode the pilot will remain lit. When in IPI mode the pilot will only remain on when the main burner is on. See **Section 18.8**.

Q. Can I position my logs in a different fashion or use a different log set?

A. No. Your gas fireplace is an engineered system that includes the firebox, burner, logs, venting and options which are tested and listed with a certification agency. Changing any specifications or placement of the logs could cause injury or damage, void your manufacturer's warranty, and possibly even your homeowner's warranty. Use only burner media that is approved for this fireplace. Contact your local Brigantia dealer for information on burner media that is approved for this model.

Maintenance

21.0 Replacement Parts List

Item #	Item Description	Unit
200-0057-16	English Owner's Manual	EA
200-0057F-04	French Owner's Manual	EA
308-6070	SIT Pro Flame II Electronic Control Module	EA
308-6024	Wall Mount Remote	EA
308-6017	SIT 885 Gas Valve c/w Step Motor	EA
308-6012	Module Main Wiring Harness (5 wire)	EA
308-6016	Split Flow Wiring Harness	EA
305-6060	Battery Back-up	EA
RP-305-2080	Fuse, 3.15A, 250V (Pack of 5)	EA
301-0068-35	Center Orifice - #35 DMS (2.79 mm) for Natural Gas	EA
301-0068-48	Side Orifice - #48 DMS (1.93 mm) for Natural Gas (two per fireplace)	EA
301-0068-53	Center Orifice - #53 DMS (1.51 mm) for Propane	EA
301-0068-58	Side Orifice - #58 DMS (1.07 mm) for Propane (two per fireplace)	EA
57-IB	Exterior Wall Insulation Board	EA
857-0014	Replacement Split Flow Kit (units prior to S/N: 510071)	EA
857-0015	Replacement Split Flow Kit (S/N: 510071 and up)	EA
308-0124	Pilot Assembly	EA
308-0125	PSE Spark Ignighter	EA
308-0126	PSE Flame Sensor	EA
857-0050-C	Center Burner Assembly	EA
857-0050-L	Left Side Burner Assembly	EA
857-0050-R	Right Side Burner Assembly	EA
57-CKENG	Conversion Kit LP to NG	EA
57-CKELP	Conversion Kit NG to LP	EA
57-BS	Barrier Screen	EA
57-DB	Replacement door (includes glass, gasket, and door frame) - BLACK	EA
57-DBBS	Replacement door and Barrier Screen	EA

Brigantia Limited Warranty

This Limited Warranty is made by ARCHGARD INDUSTRIES LTD., hereinafter referred to as "Archgard". Archgard warrants to the original purchaser of an Archgard gas burning fireplace(s) that the product will be free from defects in materials and workmanship under normal use and service, for a "lifetime". All warranty repairs are to be performed by an authorized Archgard Dealer during the warranty period. Other repair / service company charges for any work done during the warranty period, will be the responsibility of the home owner.

INCLUSIONS: "LIFETIME LIMITED WARRANTY"

- All heat exchangers and combustion chamber
- Ceramic Fiber Logs and Ceramic Brick Panels, against splitting and cracking due to heat exposure

NOTE: Discoloration and some minor movement including warping of certain parts are normal and are not a defect; therefore, not covered under warranty.

INCLUSIONS: "SEVEN YEAR LIMITED WARRANTY"

- Burner tubes and pans

INCLUSIONS: "TWO YEAR LIMITED WARRANTY"

- Ceramic Glass against thermal breakage
- Trims and accessories from splitting or separating
- Electronic Control Module, Remote Transmitter

Items included with ten-year and two-year limited warranty will be covered under "Parts & Subsidized Labour" to the original purchaser for one (1) year and "Parts Only" thereafter from original date of purchase.

INCLUSIONS: "ONE YEAR LIMITED WARRANTY"

- Blowers, fans and fan motors, wiring, rheostats and thermodiscs
- Rocker switches, spill switches and wiring to them
- Gas control valves, pilot assemblies including thermopiles, thermocouples, electrodes and igniters
- Paint peeling or cracking

Items included in the one-year limited warranty will be covered under "Parts & Subsidized Labour" to the original purchaser for one (1) year from date of purchase.

WHAT TO DO IN THE EVENT OF A PROBLEM:

- Thoroughly read your "Owner's Installation, Operation & Maintenance Manual"
- If you cannot solve the problem, contact your Archgard dealer or representative
- When calling for assistance, please have the following information:

Model of your fireplace	Serial Number	Place of Purchase
Date of Purchase	Problem Description	

NOTE: Warranty will be void if work is carried out by an unqualified person(s). Only original Archgard parts may be used. Please consult your Archgard dealer or representative if in doubt about a replacement part(s).

- All warranty repairs are to be performed by an authorized Archgard Dealer during the warranty period. Other repair / service company charges for any work done during the warranty period, will be the responsibility of the home owner.

OBTAINING WARRANTY SERVICE:

The original purchaser shall return the defective part(s) to the original authorized Archgard dealer – transaction prepaid, along with the serial number of the appliance and original proof of purchase. Any defective part, in our judgment, will be repaired or replaced at Archgard's discretion. The dealer must obtain approval from Archgard before any repairs are made.

WARRANTY LIMITATION:

THIS LIMITED WARRANTY IS MADE IN LIEU OF ALL OTHER WARRANTIES, EXPRESSED OR IMPLIED AS TO QUALITY, MERCHANTABILITY OR FITNESS FOR PARTICULAR PURPOSE.

The appliance is only warranted for the use as intended by the installation and operating instructions and local building codes. The warranty will not cover damage due to accident, misuse, abuse, alteration, improper installation or "Acts of God". This limited warranty is void unless the appliance is installed by a qualified Archgard installer, in accordance with the instructions furnished with the appliance. Some Provinces or States do not allow limitations on how long an implied warranty lasts, so the above limitations may not apply to the original purchaser. Any damage resulting from defects in this product is limited to the replacement of the defective part(s) and does not include incidental and consequential exposures sustained in connection with the product. This includes facing(s), mantle(s), cabinet(s), tile(s) or any other finishes resulting from removal of any gas appliance. This warranty is limited to residential use only and gives the consumer specific rights. These rights may vary from State to State or Province to Province.

WARRANTY CONDITIONS & REQUIREMENTS:

1. You are the original purchaser – this warranty is not transferable.
2. Installation of the fireplace must be performed by a qualified Archgard installer.
3. Installation and operation must comply with the installation and operation instructions.
4. All optional accessories are covered for one (1) year from the date of purchase.
5. This warranty does not offer coverage for light bulbs or batteries (whether factory, dealer, or installer supplied). This includes any damage stemming from non-use.
6. Damage during shipping or handling of components, defects resulting from improper installation or service, or misuse of the fireplace or fireplace components are not covered under this warranty.
7. This warranty does not cover any part of the fireplace or any component which has been exposed to or submerged under water.
8. Archgard must be notified by the dealer the fireplace was purchased from or a qualified Archgard technician of the defect.
9. Annual service of the fireplace as required in the installation manual must be performed by a qualified Archgard technician (service records may be required to claim a warranty).
10. All previous warranty service must have been performed by a qualified Archgard technician (service records may be required to claim a warranty).
11. Travel time or mileage to the original purchaser's residences is not covered under this warranty. We suggest that you pre-arrange travel expenses with your Authorized Archgard Dealer.
12. Freight on warranty shall be covered for the first two years of the warranty period.

POSTAGE

WARRANTY REGISTRATION

ARCHGARD INDUSTRIES LTD.
PO BOX 318
RAYMOND, AB
T0K 2S0

CUT ALONG LINE

FOLD DOWN AT LINE

CUT ALONG LINE

FOLD DOWN AT LINE & TAPE CLOSED

Model # : _____ Serial #: _____ Date Installed: _____ / _____ / _____

Name: _____ Address: _____

City: _____ State/Prov: _____ ZIP: _____ Phone: (_____) _____

Dealer's Name & Address: _____

City: _____ State/Prov: _____ ZIP: _____ Phone: (_____) _____

Installer's Name & Address: _____

City: _____ State/Prov: _____ ZIP: _____ Phone: (_____) _____

Why did you choose this product? _____

CUT ALONG LINE

Thank you for purchasing our product and filling out this warranty card. Save time by completing this form at www.archgard.com/warranty-registration

ARCHGARD INDUSTRIES LTD.

300 RAILWAY AVENUE
RAYMOND, AB T0K 2S0
CANADA

WWW.ARCHGARD.COM