



Harmonia 22

Model: 22-DVIM22LN-1
 GAS FIRED DIRECT VENT
 FIREPLACE INSERT
 S/N 230045 AND UP

This appliance may be installed in an aftermarket permanently located, manufactured home (USA only) or mobile home where not prohibited by local codes.

This appliance is only for use with the type of gas indicated on the rating plate. This appliance is not convertible for use with other gases, unless a certified kit is used.

WARNING:

FIRE OR EXPLOSION HAZARD

Failure to follow safety warnings exactly could result in serious injury, death, or property damage.

- Do not store or use gasoline or other flammable vapors or liquids in the vicinity of this or any other appliance.
- **WHAT TO DO IF YOU SMELL GAS:**
 - Do not try to light any appliance.
 - Do not touch any electrical switch; do not use any phone in your building.
 - Immediately call your gas supplier from a neighbor's phone. Follow the gas suppliers instructions.
 - If you can not reach your gas supplier, call the fire department.
- Installation and service must be performed by a qualified installer, service agency or the gas supplier.



DANGER



HOT GLASS WILL CAUSE BURNS.

DO NOT TOUCH GLASS UNTIL COOLED.

NEVER ALLOW CHILDREN TO TOUCH GLASS.

A barrier designed to reduce the risk of burns from the hot viewing glass is provided with this appliance and must be installed for the protection of children and other at-risk individuals.

Installation Manuals available through your local dealer or visit our website at: www.archgard.com

INSTALLER: LEAVE THIS MANUAL WITH THE APPLIANCE.
CONSUMER: RETAIN THIS MANUAL FOR FUTURE REFERENCE.



NATIONAL FIREPLACE INSTITUTE
CERTIFIED
www.nficertified.org

We recommend that our gas hearth products be installed and serviced by professionals who are certified in the U.S. by the National Fireplace Institute® (NFI) as NFI Gas Specialists.

ARCHGARD FIREPLACE PRODUCTS
 300 Railroad Avenue
 Raymond, AB T0K 2S0 Canada

SIT 820

Gas Fireplace Energy Efficiency

Rating **63.13%**

Based on CSA P.4.1-15

SIT 821

Gas Fireplace Energy Efficiency

Rating **66.14%**

Based on CSA P.4.1-15



200-0064-03
 February 05, 2026

TABLE OF CONTENTS

| | | | |
|--|----|---|----|
| 1.0 Introduction | 3 | 16.0 Surround Installation | 29 |
| 2.0 Safety Information | 4 | 16.1 Installing the ON/OFF Switch..... | 30 |
| 3.0 Technical Information | 5 | 16.2 Bottom Filler Plate..... | 31 |
| 3.1 Appliance Certification..... | 5 | 16.3 Surround Dimensions..... | 32 |
| 3.2 Installation Codes..... | 5 | 17.0 Firebox Liner Installation | 35 |
| 3.3 Specifications..... | 5 | 17.1 Brick Panel Installation..... | 35 |
| 3.4 High Altitude Installation..... | 5 | 17.2 Reflective Glass Installation..... | 36 |
| 4.0 Rating Plate | 6 | 18.0 Media Installation | 37 |
| 5.0 Installation Checklist | 7 | 18.1 Log Set..... | 37 |
| 6.0 Appliance Overview | 8 | 19.0 Operation | 41 |
| 6.1 Rating Plate Location..... | 8 | 19.1 Before Lighting..... | 41 |
| 6.2 Appliance Overview..... | 8 | 19.2 First Fire..... | 41 |
| 6.3 Leveling the Appliance..... | 8 | 19.3 Lighting Instructions..... | 42 |
| 6.4 Accessing the Controls..... | 9 | 19.4 Lighting The Fireplace..... | 43 |
| 6.5 Identifying the Controls..... | 9 | 20.0 Maintenance | 45 |
| 7.0 Electrical Connections | 10 | 20.1 Cleaning and Routine Maintenance..... | 45 |
| 8.0 Appliance Dimensions | 11 | 20.2 Servicing Under Warranty..... | 46 |
| 9.0 Minimum Opening Dimensions | 12 | 20.3 Checking Inlet and Outlet Pressure..... | 46 |
| 9.1 Surround Configuration Options..... | 13 | 20.4 Checking and Adjusting Pilot..... | 46 |
| 9.2 Factory Built Fireplaces..... | 15 | 20.5 Adjusting the Primary Air..... | 47 |
| 9.3 Refacing a Masonry Fireplace..... | 16 | 20.6 Replacing the Burner..... | 48 |
| 10.0 Clearances to Combustibles | 17 | 20.7 Replacing the Pilot..... | 49 |
| 10.1 Mantel Clearances..... | 17 | 20.8 Replacing the Valve..... | 50 |
| 10.2 Sidewall Clearances..... | 18 | 20.9 Replacing the Piezo Igniter..... | 52 |
| 10.3 Hearth Clearances..... | 18 | 20.10 Replacing the Optional Fan..... | 53 |
| 11.0 Gas Connections | 19 | 20.11 Replacing the Optional Fan Speed Control..... | 55 |
| 11.1 Clocking Procedure..... | 19 | 20.12 Replacing the Optional Fan Thermal Sensor..... | 56 |
| 12.0 Conversion Kit Instructions | 20 | 20.13 Wiring Schematic..... | 57 |
| 12.1 Prepare the Fireplace..... | 20 | 20.14 Troubleshooting..... | 58 |
| 12.2 Pilot Conversion..... | 20 | 21.0 Frequently Asked Questions | 60 |
| 12.4 Complete the Conversion..... | 21 | 22.0 Replacement Parts List | 61 |
| 12.3 Convert the Gas Valve..... | 21 | Archgard Limited Warranty | 62 |
| 13.0 Venting Instructions | 22 | | |
| 13.1 Approved Venting Components..... | 23 | | |
| 13.2 Min/Max Vent Run..... | 25 | | |
| 13.3 Using a Co-linear to Coaxial Adapter..... | 26 | | |
| 14.0 Barrier Screen Installation | 27 | | |
| 15.0 Glass Door Installation | 28 | | |
| 15.1 If Your Glass Breaks..... | 28 | | |

General Information

1.0 Introduction

Thank You and Congratulations for choosing an Archgard Gas Fireplace insert!

Harmonia (Har-MO-nee-ah) - The immortal goddess of harmony and concord. Harmonia presided over both marital harmony and the harmonious action of soldiers in war. Harmonia is described as having a heart that is completely pure, without bad thoughts whatsoever.

The Harmonia 22 is among the most advanced Direct Vent Insert heaters available today. It is solidly designed using the latest technology and manufactured to the highest quality. It is our aim to provide you with an appliance that brings many trouble-free years of reliable service. This manual provides information regarding model number 22-DVIM22LN-1.

Some of the many features of your 22-DVIM22LN-1 are:

- **Heater Classification** This fireplace is classified as a heating appliance. Therefore, it uses Direct Vent safety technology and it is suitable for continuously operated zone heating.
- **High Efficiency** This fireplace has one of the highest efficiencies of any Direct Vent gas insert, ensuring it is less expensive to operate.
- **Adjustable Fan Speed (optional)** An adjustable six speed circulation fan is available for this fireplace insert.
- **Adjustable Flame** This fireplace provides the ability to adjust the flame aesthetics and heat output to suit the owner's liking and heating needs.
- **Solid Construction** This fireplace is mainly constructed of 16 and 18 gauge galvanized and aluminized coated steel for long life and durability.
- **Optional Accessories** Speak with your local Authorized Archgard Dealer for a full complement of decorative accessories to suit your home's decor and personal tastes.
- **Remote Control Compatible** You may install a third party remote control providing convenient operation from the comfort of your chair.

Model Number Definition (22-DVIM22LN-1)

| | |
|------------|---|
| 22 | Number assigned to identify this model. |
| DVI | Direct Vent Insert |
| M | Millivolt Ignition |
| 22 | Natural Gas Input Rating in BTU |
| L | Traditional Log Burner |
| N | Natural Gas |
| -1 | Revision Number |

Please complete and submit the warranty registration card included in the back of this manual or by visiting us at:
www.archgard.com/warranty-registration



General Information

2.0 Safety Information

Caution

FOR YOUR SAFETY - Do not install or operate this appliance without reading and understanding this manual. Any installation or operational deviation from this instruction manual voids the warranty and may prove hazardous.

- This appliance must be installed by a qualified gas installer and the installation must conform to the installation codes.
- Provide adequate clearance around air openings into combustion chamber.
- Never obstruct front openings.
- Provide adequate clearances for proper operation and servicing of the appliance.
- This appliance must be properly connected to an approved venting system and must not be connected to a chimney flue serving a separate solid fuel burning appliance.
- Flow of combustion and ventilation air must not be obstructed.
- Always provide adequate clearance around the intake and exhaust openings.

Safety

- Due to high temperatures, the appliance should be located out of traffic and away from furniture and draperies.
- Children and adults should be alerted to the hazards of high surface temperature and stay away to avoid burns or clothing ignition.
- Young children should be carefully supervised when they are in the same room as the appliance. Toddlers, young children and others may be susceptible to accidental contact burns. A physical barrier is recommended if there are at risk individuals in the house. To restrict access to a fireplace or stove, install an adjustable safety gate to keep toddlers, young children and other at risk individuals out of the room and away from hot surfaces.
- Do not store or place combustibles, gasoline, and other flammable vapors and liquids near the appliance.
- Clothing or other flammable material should not be placed on or near the appliance.
- Do not operate with cracked or broken glass. Do not to strike or slam the glass.
- **WARNING:** Do not operate appliance with the glass front removed, cracked, or broken. Removal of the glass should be done by a licensed or qualified service person.
- Any safety screen or guard removed for servicing an appliance must be replaced prior to operating.
- Installation and Repair should be done by a qualified service person. The appliance should be inspected before use and at least annually by a professional service person. More frequent cleaning may be required due to excessive lint from carpeting, bedding materials, etc. It is imperative that the control compartments, burners and circulating air passageways of the appliance are kept clean.
- Do not use this appliance if any part has been under water. Immediately call a qualified service technician to inspect the appliance and to replace any part of the control system and any gas control which has been under water.
- **California Proposition 65 Warning:** This product can expose you to chemicals including Carbon Monoxide, that is an externally vented by-product of fuel combustion, which is [are] known to the State of California to cause cancer, birth defects, or other reproductive harm. For more information, visit www.P65Warnings.ca.gov.

Each Archgard Gas Fireplace is checked and tested at the factory prior to being packaged and shipped to our dealers and finally installed in your home. Before leaving this unit with the customer, the installer must ensure that the appliance is firing correctly and that the electrical system is in working order. The Installation Checklist in **Section 5.0** should be used to ensure the proper installation of this gas fireplace insert and to document any deviations from a typical install.

Any alteration to the product that causes carbon or soot deposits that results in any damage or requires cleaning is not the responsibility of the manufacturer.

General Information

3.0 Technical Information

3.1 Appliance Certification

This appliance was listed by QAI Laboratory Inc to the following USA and Canadian gas appliance standards.

- ANSI Z21.88-2019 / CSA 2.33-2019 Vented Gas Fireplace Heaters
- CSA-2.17-2017, Gas-Fired Appliances for Use at High Altitudes
- CSA P.4.1-15 testing method for measuring annual fireplace efficiency
- CSA 22.2 No.3-M1988(R2014) electrical standard

The listing label is attached to the appliance on the bottom right side of the appliance.

A copy is shown on **Section 4.0**.

Commonwealth of Massachusetts: This appliance has been manufactured in accordance with Massachusetts code 248 CMR 5.00. Approval Code: TBD. (<http://license.reg.state.ma.us/public/licque.asp>).

Please contact **Archgard Industries Ltd.**, if you have any questions regarding the certification of this appliance.

3.2 Installation Codes

This appliance must be installed by a qualified gas appliance installer. The installation must conform with the local codes or, in the absence of local codes, with the current National Fuel Gas Code ANSI Z223.1/ NFPA 54 in the US, or Installation Code CAN/CGA-B149.1 in Canada. Electrical connections and grounding must conform with local code, or current National Electrical code ANSI/NFPA No. 70-1987 in the US, and in Canada the current Canadian Electrical Code CSA C22.1.

This appliance is certified for installation in a bedroom or a bed sitting room. Please refer to local codes for thermostat requirements.

We recommend that our gas hearth products be installed and serviced by professionals who are certified in the U.S. by the National Fireplace Institute® (NFI) as NFI Gas Specialists.

3.3 Specifications

| | Natural Gas (NG) | Propane (LP) |
|--------------------------------------|---------------------------------------|--|
| Manifold Pressure | 1.6 - 3.5 in. W.C. (0.4 - 0.9 kPa) | 6.4 - 10.0 in. W.C. (1.6 - 2.5 kPa) |
| Min. Supply Pressure | 5.0 in. W.C. (1.24 kPa) | 11.0 in. W.C. (2.7 kPa) |
| Max Supply Pressure | 14.0 in. W.C. (3.5 kPa) | 14.0 in. W.C. (3.5 kPa) |
| Orifice Size | #44 DMS (2.18 mm dia) | #54 DMS (1.397 mm dia) |
| Input Rating | 15,000 - 22,000 BTU/hr (4.4- 6.45 kW) | 17,000 - 22,000 BTU/hr (4.98 -6.45 kW) |
| P.4 Fireplace Efficiency (FE) | SIT 820: 63.13% SIT 821: 66.14% | |
| P.4 Steady State Efficiency | SIT 820: 70.01% SIT 821: 70.01% | |
| Electrical Rating | 120 VAC, 60Hz less than 2 A. | |
| Gas Control | SIT 820 or SIT 821 | |
| Altitude | 0 - 4,500 ft. (0 - 1372 M) | |
| Primary Air Opening | 1/4" (6.35 mm) OPEN | 1/4" (6.35 mm) OPEN |


3.4 High Altitude Installation

When installing this appliance beyond 4500 ft. (1372 M) above sea level, the appliance must be properly derated and installed according to local codes, in the absence of local codes, with the current National Fuel Gas Code, ANSI Z223.1/ NFPA 54, in the US or Installation Code, CAN/CGA-B149.1, in Canada.

General Information

4.0 Rating Plate

DO NOT REMOVE THIS LABEL



MODEL: 22-DVIM22LN-1

LISTED VENTED GAS FIREPLACE HEATER and GAS-FIRED APPLIANCES FOR USE AT HIGH ALTITUDES. Tested to: ANSI Z21.88-2019 / CSA 2.33-2019, CSA 2.17-2017, CSA P.4.1-15, and CSA 22.2 No.3-M1988 (R2014). This vented gas fireplace heater is not for use with air filters. Certified for use in both CANADA and USA.

VENTED GAS FIREPLACE HEATER-NOT FOR USE WITH SOLID FUEL.

Manufactured as Natural Gas

| | | | |
|----------------------------------|-----------------------------|--|--|
| Gas Control: | SIT 820 Continuous Pilot | | SIT 821 7 Day Pilot On Demand Timer |
| P.4.1 Fireplace Efficiency (FE): | 63.13% | | 66.14% |

| | NG | LPG |
|---|--|--|
| Input rating | 15,000 - 22,000 BTU/hr (4.4 - 6.45 kW) | 17,000 - 22,000 BTU/hr (4.98 - 6.45 kW) |
| Manifold Pressure | 1.6 - 3.5 in. W.C. (0.4 - 0.9 kPa) | 6.4 - 10.0 in. W.C. (1.6 - 2.5 kPa) |
| Orifice size | #44 DMS (2.18 mm dia.) | #54 DMS (1.397 mm dia.) |
| Supply pressure (Min - Max) | 5.0 - 14.0 in. W.C. (1.2 - 3.5 kPa) | 11.0 - 14.0 in. W.C. (2.7 - 3.5 kPa) |
| Burner Primary Air Setting | 1/4" (6.35mm) Open | 1/4" (6.35mm) Open |
| Altitude | 0 - 4500 ft (0 - 1372 m) | 0 - 4500 ft (0 - 1372 m) |
| Electrical rating | 120 VAC, 60 Hz less than 2 A. | |
| Replacement fan | Optional fan kit available | |
| Keep burner and control compartment clean. See Instructions accompanying the heater. Optional fuel conversion kit : See Manual | Minimum opening Dimensions: 23.9"(60.7 cm)W x 17.98"(45.7 cm)H x 16.125"(40.96 cm)D Minimum Chimney Flue Size: 4" (100 mm) x 7" (176 mm) Minimum clearances to Combustibles: Sides from glass door frame: 7" (17.8 cm) Mantle: max 8" (20.3 cm) at min 15" (38.1 mm) from top of appliance door See Manual for additional dimensions and clearances | |

This appliance must be installed in accordance with local codes, if any; if none, follow the National Fuel Gas Code, ANSI Z223.1/NFPA 54, or Natural Gas and Propane Installation Codes, CSA B149.1. Electrical connections and grounding must be in accordance with local codes, if any; if none, follow the current CAN/CSA C22.1 in Canada and ANSI/NFPA 70 in the US. This appliance is certified for installation in a bedroom or a bed sitting room. This appliance is only for use with the gas indicated on the rating plate and may be installed in an aftermarket, permanently located, manufactured (mobile) home where not prohibited by local codes. See owner's manual for details. This appliance is not convertible with other gases, unless a certified kit is used.

WARNING: Improper installation, adjustment, alteration, service, or maintenance can cause injury or property damage. Refer to the owner's information manual provided with this appliance. For assistance or additional information consult a qualified installer, service agency, or the gas supplier. This appliance must be properly connected to a Direct Vent venting system in accordance with the manufacturer's installation instructions.

WARNING: Failure to install this appliance per the manufacturer's instructions or failure to use only parts specifically approved with this appliance may result in property damage or personal injury.

WARNING: Do not operate the appliance until all sections have been assembled and installed in accordance with the manufacturer's instructions.



WARNING: Operation of this appliance when not connected to a properly installed and maintained venting system can result in carbon monoxide (CO) poisoning and possible death.

ONLY DOORS CERTIFIED WITH THE APPLIANCE SHALL BE USED.
For use only with barrier part # 22-BS. Follow installation instructions.

Made in Canada by:
Archgard Industries Ltd.
300 Railway Avenue,
Raymond, AB T0K 2S0
Canada

October 2024 303-6022-01

| | |
|-------------------|--|
| MANUFACTURE DATE: | |
|-------------------|--|

Installation

5.0 Installation Checklist

This standard installation checklist is to be used by the installer in conjunction with, not instead of, the instructions contained within this installation manual.

| | | | |
|---|--|-----------|------------------------|
| Customer: _____ Install Address: _____ | Date Installed: _____ Location of Fireplace: _____ Installer: _____ | | |
| Solid Fuel Zero Clearance Install: (Section 9.2) | YES | NO | IF NO, WHY NOT? |
| Was the bottom of the existing zero clearance firebox removed? | | | |
| Was a 0.15" (3.8 mm) minimum clearance maintained as shown in Figure 9.2.02 ? | | | |
| Venting: (Section 13.0) | YES | NO | IF NO, WHY NOT? |
| Venting configuration complies with vent diagrams. | | | |
| Venting installed, fastened, and secured in place maintaining proper clearances. | | | |
| Secured or removed existing solid fuel fireplace damper. | | | |
| Terminations installed and sealed in compliance with local building code. | | | |
| Direct vent termination is highest point in vent assembly. | | | |
| Wiring / Electrical: (Section 7.0) | YES | NO | IF NO, WHY NOT? |
| Connected to household 110/120v per local codes. | | | |
| Unit is properly grounded. | | | |
| Gas: (Section 11.0) | YES | NO | IF NO, WHY NOT? |
| Proper appliance for fuel type? | | | |
| Was a conversion performed? | | | |
| Leak check performed & inlet and manifold pressures verified? | | | |
| Was the rating of the insert clocked? | | | |
| Finishing: | YES | NO | IF NO, WHY NOT? |
| Only noncombustible material installed in noncombustible areas. | | | |
| Clearances meet installation manual requirements. | | | |
| Mantels and/or projections comply with install manual. | | | |
| Was the solid fuel fireplace warning plate installed (Figure 9.0.02)? | | | |
| Appliance Setup: | YES | NO | IF NO, WHY NOT? |
| Log set, door, and screen installed according to install manual. | | | |
| Manual given to home owner. | | | |
| Did you check operation of the fan (if installed) and flame modulation? | | | |
| Does the main burner light within 4 seconds of main gas valve opening (see Section 20.1)? | | | |

6.0 Appliance Overview

6.1 Rating Plate Location

The rating plate is located under the firebox, behind the control access cover. See **Section 6.4** for information on accessing the controls.

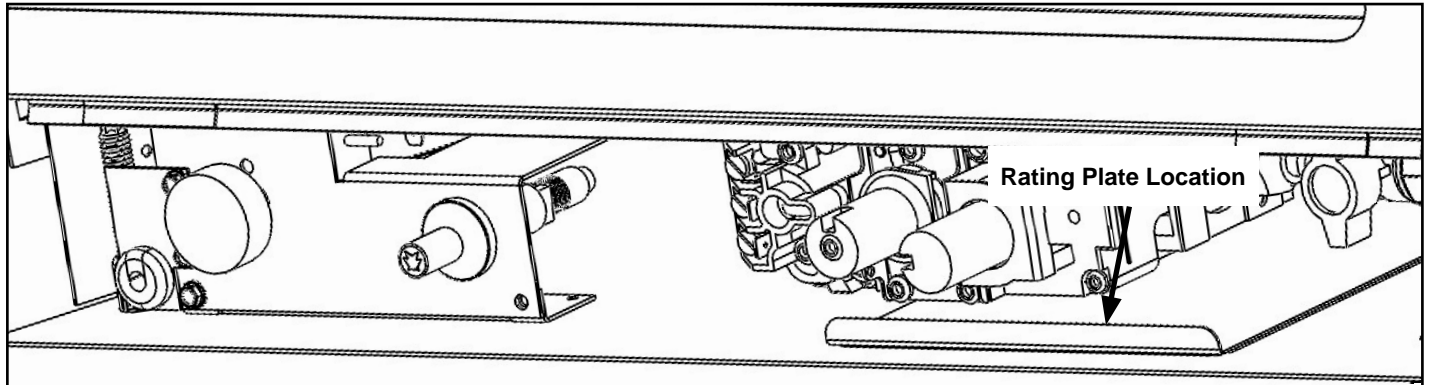


Figure 6.1.01:

6.2 Appliance Overview

The valve and control module are located underneath the fireplace. They can be accessed by flipping down the control access cover on the fireplace surround.

The optional fan is located on the inside of the rear fireplace shell and can only be accessed from the rear of the fireplace.

Note: This manual may use images of an unpainted fireplace for the purposes of illustration.

*Left and right side references in this manual correspond with the sides identified in **Figure 6.2.01**.

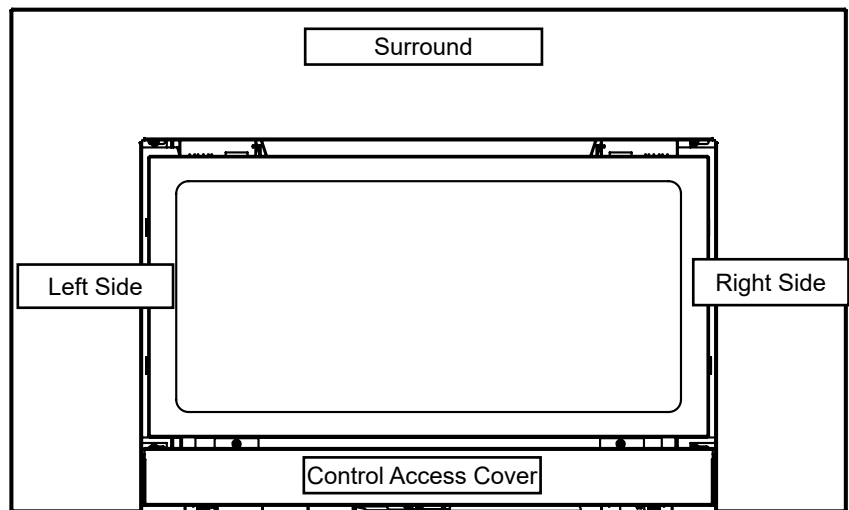


Figure 6.2.01:

6.3 Leveling the Appliance

The 22-DVIM22LN-1 is equipped with front and rear leveling bolts. The fireplace has the ability to independently level left/right and front/back.

Leveling is done from the bottom of the unit

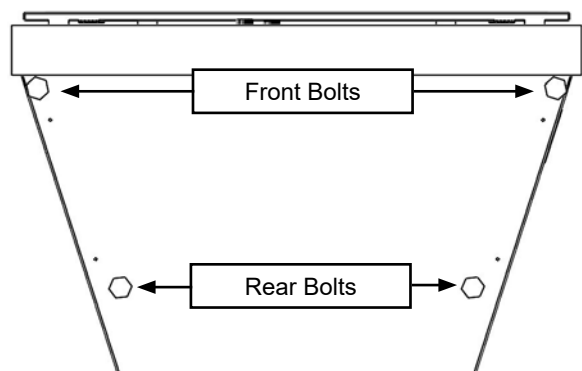


Figure 6.3.01:

Installation

6.4 Accessing the Controls

The controls for the 22-DVIM22LN-1 are located underneath the fireplace and are accessed by flipping down the control access cover shown in **Figure 6.4.01**.

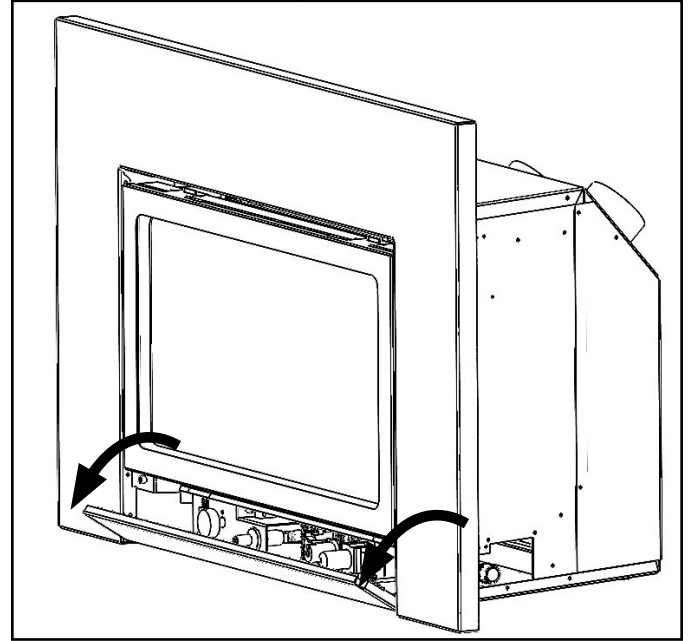


Figure 6.4.01:

6.5 Identifying the Controls

See **Figure 6.5.01** for Identification of the controls. See Operation **Section 19.0** for operation instructions.

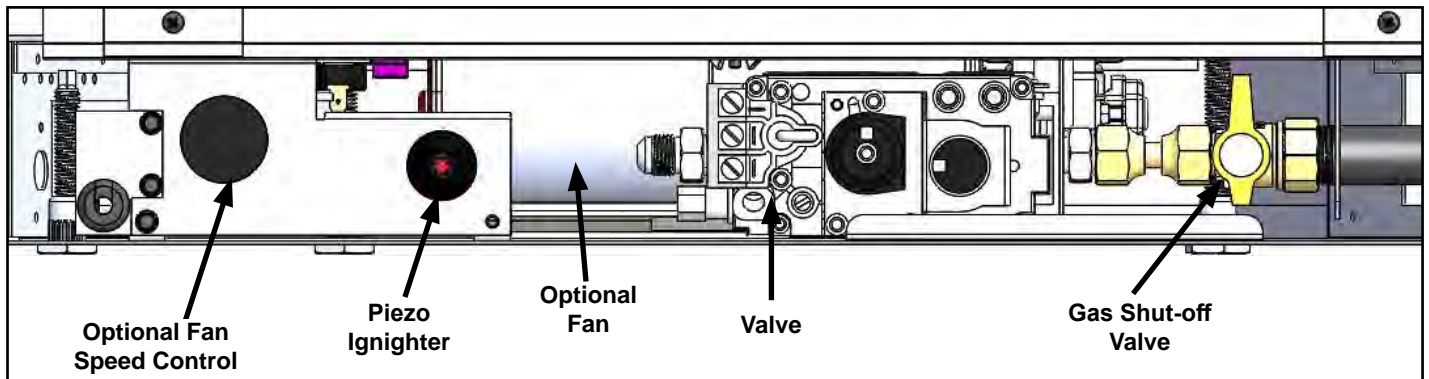


Figure 6.5.01

7.0 Electrical Connections

The **22-DVIM22LN-1** may be wired to a thermostat, wall switch, or third party remote control. An optional variable 6 speed fan kit is available from your local authorized Archgard dealer. Do not cut or remove the grounding prong from the main power supply plug on the optional fan kit.

CAUTION: Label all wires prior to disconnection when servicing.

NOTE: This appliance, when installed, must be electrically grounded in accordance with local codes or, in the absence of local codes, with the National Electrical Code, ANSI / NFPA 70, or the Canadian Electrical code, CSA C22.1.

Before you begin:

- Flip Down the Control access cover (See **Section 6.4**)

Note: Wall switches, thermostats, or remote controls are not included with the fireplace and are not covered under warranty.

To connect a thermostat or wall switch to the fireplace:

Step 1: Remove the shielding from the ends of the household wiring. See **Figure 7.0.02** for recommended wire specifications.

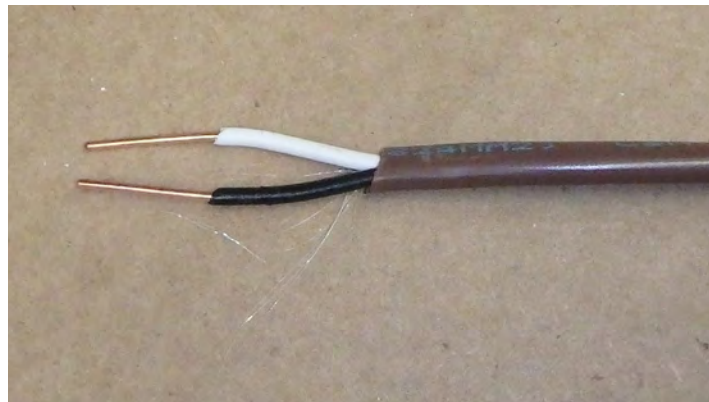


Figure 7.0.01:

Note: See **Figure 20.13.01** for a wiring diagram including the wall switch or optional thermostat.

| Thermostat / wall switch wire table Recommended Maximum Lead Length for two wires. | |
|---|------------------|
| Wire Size | Max. Length |
| 14 GA. | 50 Ft. (15.24 M) |
| 16 GA. | 32 Ft. (9.75 M) |
| 18 GA. | 20 Ft. (6.9 M) |
| 20 GA. | 12 Ft. (3.65 M) |
| 22 GA. | 9 Ft. (2.74 M) |

Figure 7.0.02:

Step 2: Run the wire through the opening on either side of the fireplace. Always keep the wire low, away from the firebox.

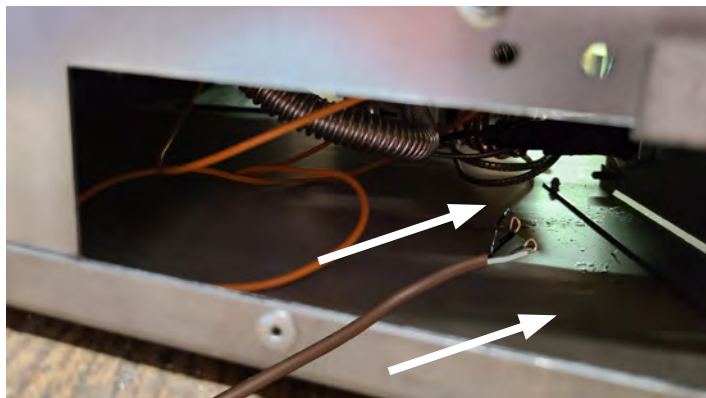


Figure 7.0.03:

Step 3: Connect the wire to the leads on the valve.

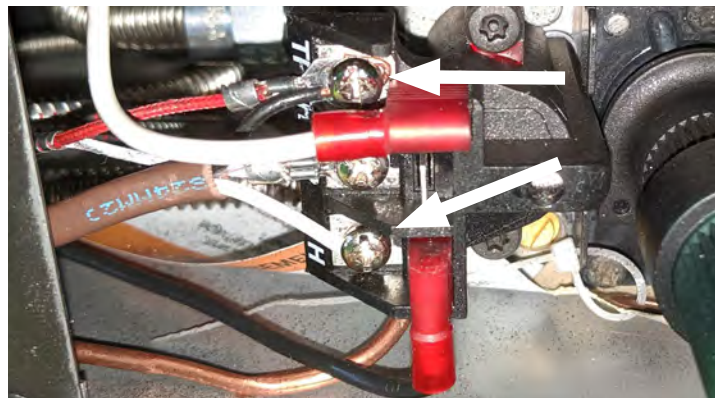


Figure 7.0.04:

8.0 Appliance Dimensions

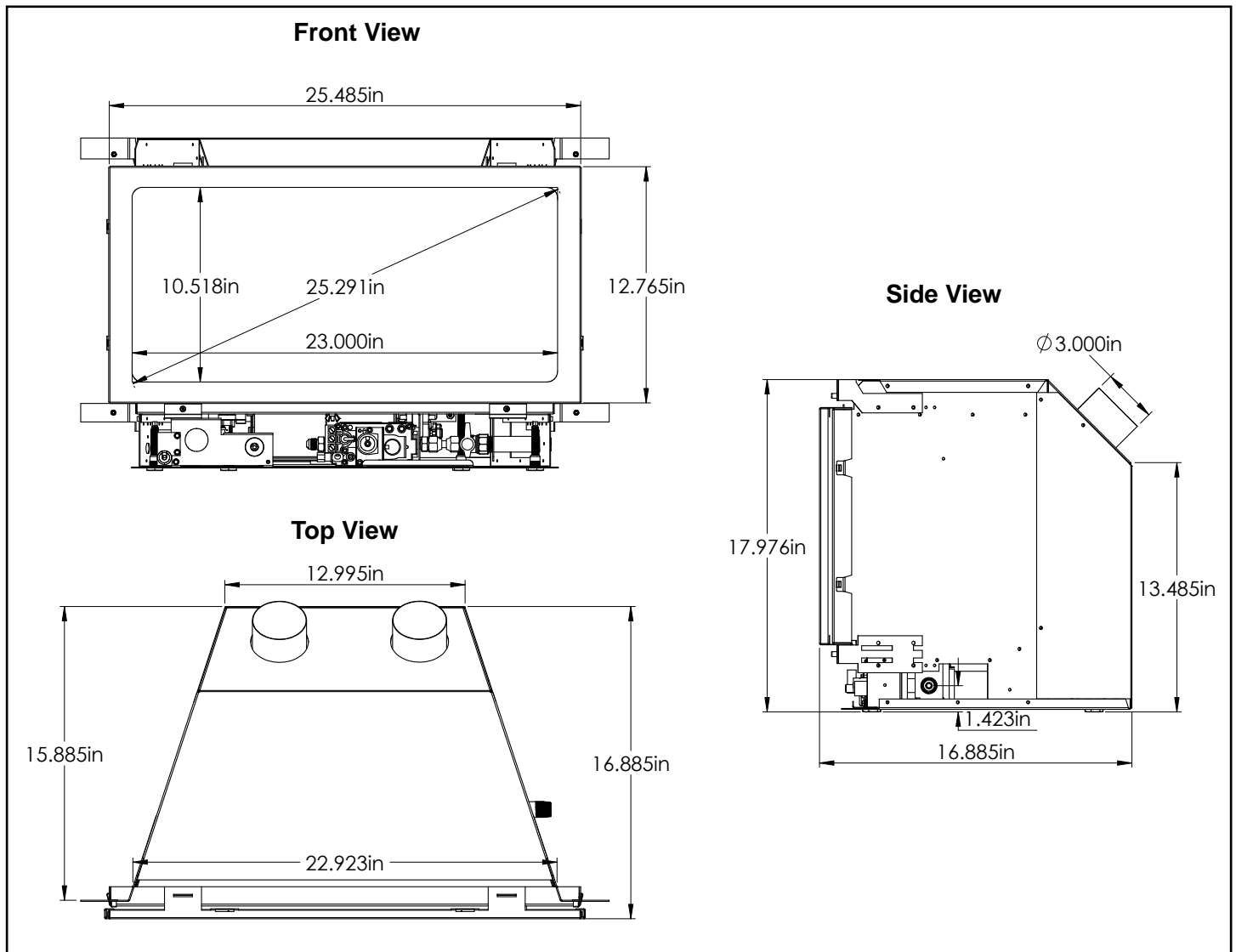


Figure 8.0.01:

Installation

9.0 Minimum Opening Dimensions

The following opening dimensions show the absolute minimum opening size allowable for the 22-DVIM22LN-1. This appliance may be configured to accommodate a variety of openings and aesthetic preferences.

Depending on the configuration of the surround, the minimum opening dimensions may change. Refer to **Section 9.1** for installation options.

Min flue size required 4" (10.2 cm) x 7" (17.8 cm) unless reducer kit 22-LKF2 is used*. See Section 13.3.

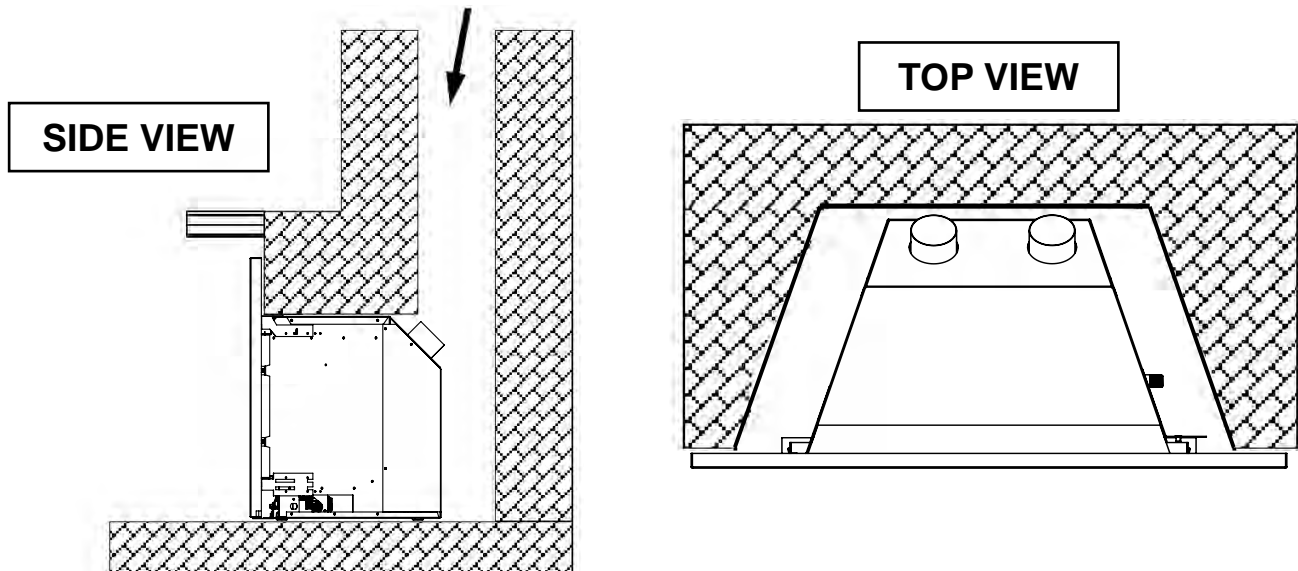


Figure 9.0.01:

WARNING: Failure to position the parts in accordance with these diagrams or failure to use only parts specifically approved with this appliance may result in property damage or personal injury.

The installer must mechanically attach the marking supplied with the gas fireplace insert to the inside of the firebox of the fireplace into which the gas fireplace insert is installed. See **Figure 9.0.02**.

WARNING: This fireplace has been converted for use with a gas fireplace insert only and cannot be used for burning wood or solid fuels, unless all original parts have been replaced, and the fireplace reapproved by the authority having jurisdiction.

AVERTISSEMENT: Ce foyer a ete converti pour utilisation avec un foyer au gaz encastrable et ne peut etre utiliser pour bruler du bois ou autres combustibles solides a moins que toutes les pieces d'origine ete remplacees et que le foyer ait ete approuve de nouveau par l'autorite competente.

303-0123

Figure 9.0.02:

Cutting of any sheet-metal parts of the fireplace, in which the gas fireplace insert is to be installed, is prohibited except as described in **Section 9.2**.

The fireplace and fireplace chimney must be clean and in good working order and constructed of noncombustible materials. The chimney clean-outs must fit properly.

Installation

9.1 Surround Configuration Options

The surround may be adjusted to accommodate a variety of openings and aesthetic preferences.

The following table indicates opening dimensions required for each possible position of the surround. The dimensions indicated in the images below correspond with the locations shown in **Figure 9.0.01**.

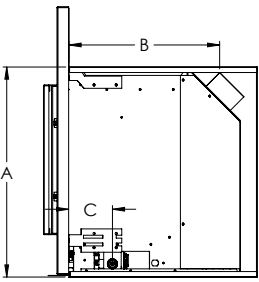
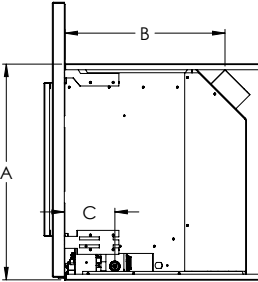
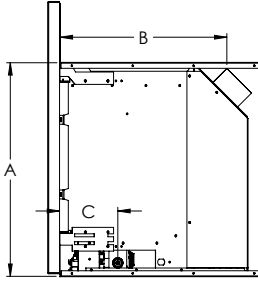
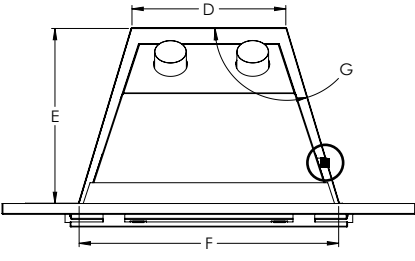
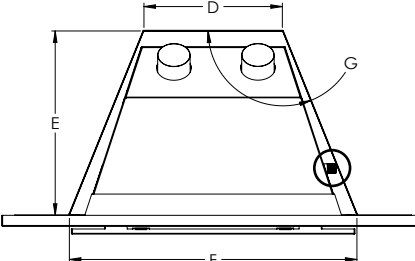
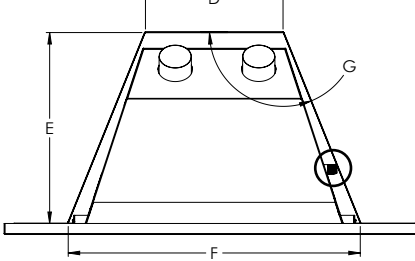
| | Position 1 | Position 2 | Position 3 |
|---|---|---|---|
| |  |  |  |
| |  |  |  |
| | Minimum Depth: The screen and door both extend outside of the surround. | Door Flush: The screen extends outside of the surround but the face of the door does not. | Screen Flush: The face of screen is flush with the surround. |
| A | 18.0" (45.72 cm) | 18.0" (45.72 cm) | 18.0" (45.72 cm) |
| B | 12.94" (32.87 cm) | 13.41" (34.06 cm) | 14.10" (35.81 cm) |
| C | 3.76" (9.55 cm) | 4.22" (10.72 cm) | 4.91" (12.47 cm) |
| D | 14.17" (35.99 cm) | 12.48" (31.70 cm) | 12.48" (31.70 cm) |
| E | 16.13" (40.97 cm) | 16.62" (42.21 cm) | 17.31" (43.97 cm) |
| F | 23.91" (60.73 cm) | 25.92" (65.83 cm) | 26.48" (67.26 cm) |
| G | 106.75° | 112° | 112° |

Figure 9.1.01:

Caution: if installing at minimum depth, the rigid black pipe included with this fireplace may impact with the side of some masonry openings. If so, replace the black pipe provided with a flexible gas line. Follow all local codes.

Installation

Adjusting the Surround

To change the position of the surround brackets, remove the Tek screws securing each bracket, move the bracket to the desired location and reinsert the screws.

| | Position 1 | Position 2 | Position 3 |
|------------------------|---|--|--|
| Upper Surround Bracket | | | |
| Lower Surround Bracket | | | |
| | <p>Minimum Depth: The screen and door both extend outside of the surround.</p> <p>Remove the two 1/4" tek screws holding the brackets in place.</p> <p>Move the bracket toward the rear of the fireplace by two holes and reinsert the tek screws.</p> | <p>Door Flush: The screen extends outside of the surround but the door does not.</p> <p>Remove the two 1/4" tek screws holding the brackets in place.</p> <p>Move the bracket toward the rear of the fireplace by one hole and reinsert the tek screws.</p> | <p>Screen Flush: The face of screen is flush with the surround.</p> <p>Default position. The fireplace is shipped in this configuration.</p> <p>Two holes can be seen beyond the end of each bracket.</p> |

Figure 9.1.02:

Control Access Cover Adjustment

If the surround is installed in Position 1 or Position 2 as shown above, the blind on the control access cover must be bent. To bend, apply force evenly across the blind.

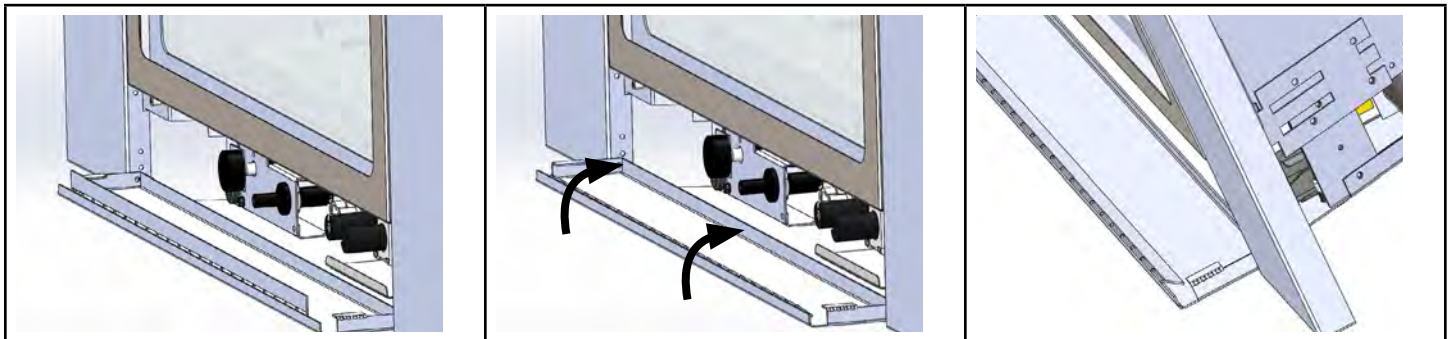


Figure 9.1.03:

Installation

9.2 Factory Built Fireplaces

The following information applies to **Factory Built (metal) Wood-Burning Fireplace** installations:

Trim panels must not seal ventilation openings in the fireplace. Any parts that are removed must be saved and reinstalled if the insert is ever removed. If the factory-built fireplace has no gas access hole(s) provided, an access hole of 1 1/2" (38.1 mm) or less may be drilled through the lower sides or bottom of the firebox in a proper workmanship-like manner. This access hole must be plugged with noncombustible insulation after the gas supply line has been installed.

The damper (A) and grate with logset (B) must be removed or fully blocked open.

The smoke shelf (C), internal baffles (D), screen (E), masonry lining or refractory (G and I), and metal or glass doors (F) may be removed.

The fireplace must be permanently marked to indicate that it has been altered and is no longer suitable for burning any fuel unless the removed parts are reinstalled (See **Figure 9.0.02**). Cutting out of any metal parts is prohibited, except the metal floor (J) as specified.

The insulation (H), and any structured rigid frame member must not be removed or altered (side and top of door frame, side and top of the face of fireplace, metal sides, etc.).

The metal floor of the firebox may be removed only if the following is strictly adhered to.

The metal floor (J) may be removed to allow additional room for installation of the insert as long as it does not compromise the structural integrity of the existing fireplace. If the floor is removed the insert must be placed directly on the metal base of the metal fireplace. **Under no circumstance can it be placed directly on a combustible material.**

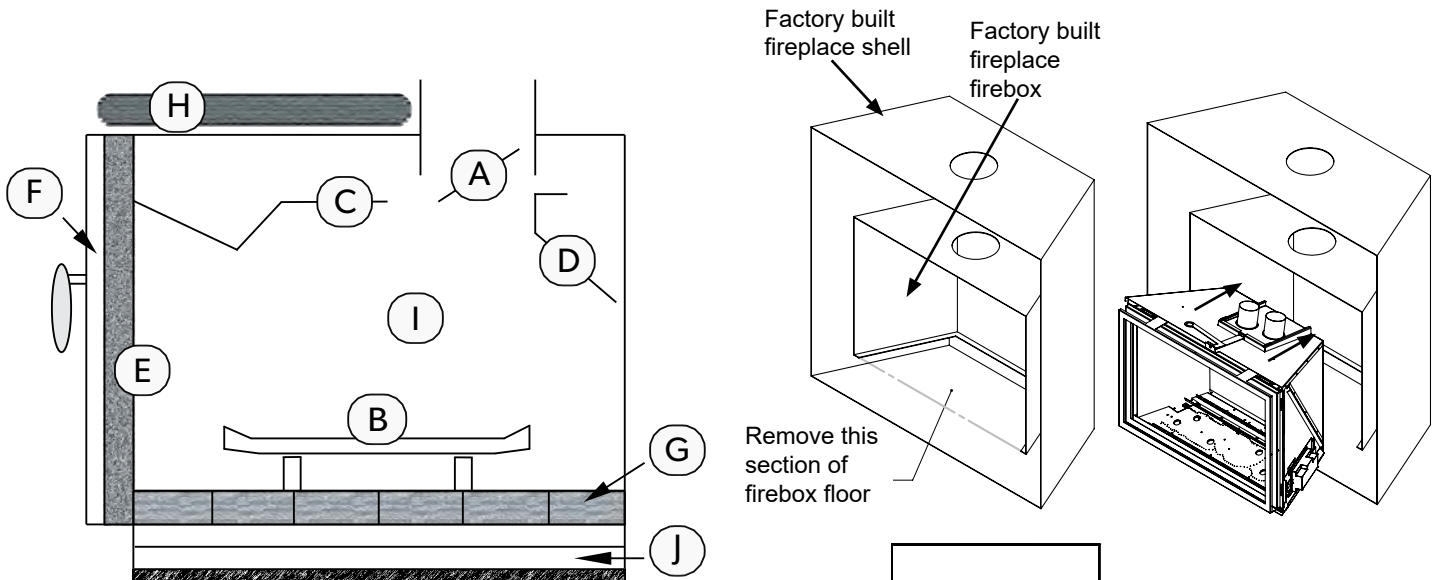


Figure 9.2.01: Side view of Factory Built (metal) Wood Burning Fireplace.

Figure 9.2.02: Removing the Metal Floor

Installation

9.3 Refacing a Masonry Fireplace

Using Steel Studs and Cement Board on Wood Fireplaces

Brick or rock facing may be removed and replaced with noncombustible material such as steel studs and cement board.

WARNING: Only facing material may be removed. All other masonry material must not be cut out, chipped away, or removed.

WARNING: Louvers or any air circulation around existing solid fuel fireplace must not be blocked or covered.

The area between the masonry and the cement board must be sealed so that no heat can enter the open space between the masonry of the wood fireplace and the refacing material. **The insert must be moved outward so that the face of the fireplace is flush with the finishing material.**

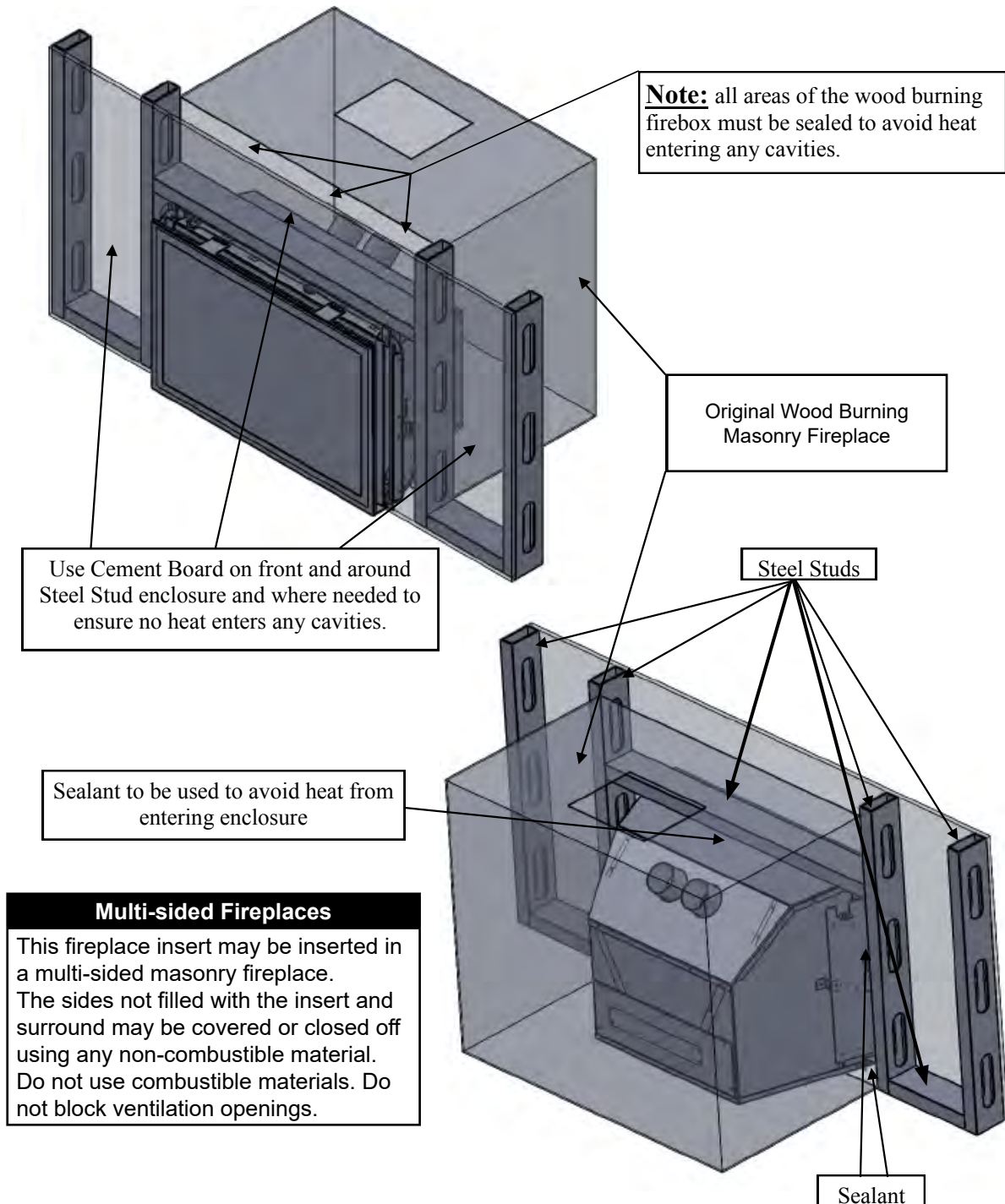


Figure 9.3.01:

10.0 Clearances to Combustibles

WARNING

Failure to position the parts in accordance with these diagrams or failure to use only parts specifically approved with this appliance may result in property damage or personal injury.

CAUTION: This appliance is designed for use in any masonry or factory-built, wood-burning fireplace. It cannot be enclosed by combustible material and used as a factory built gas fireplace (zero clearance fireplace).

10.1 Mantel Clearances

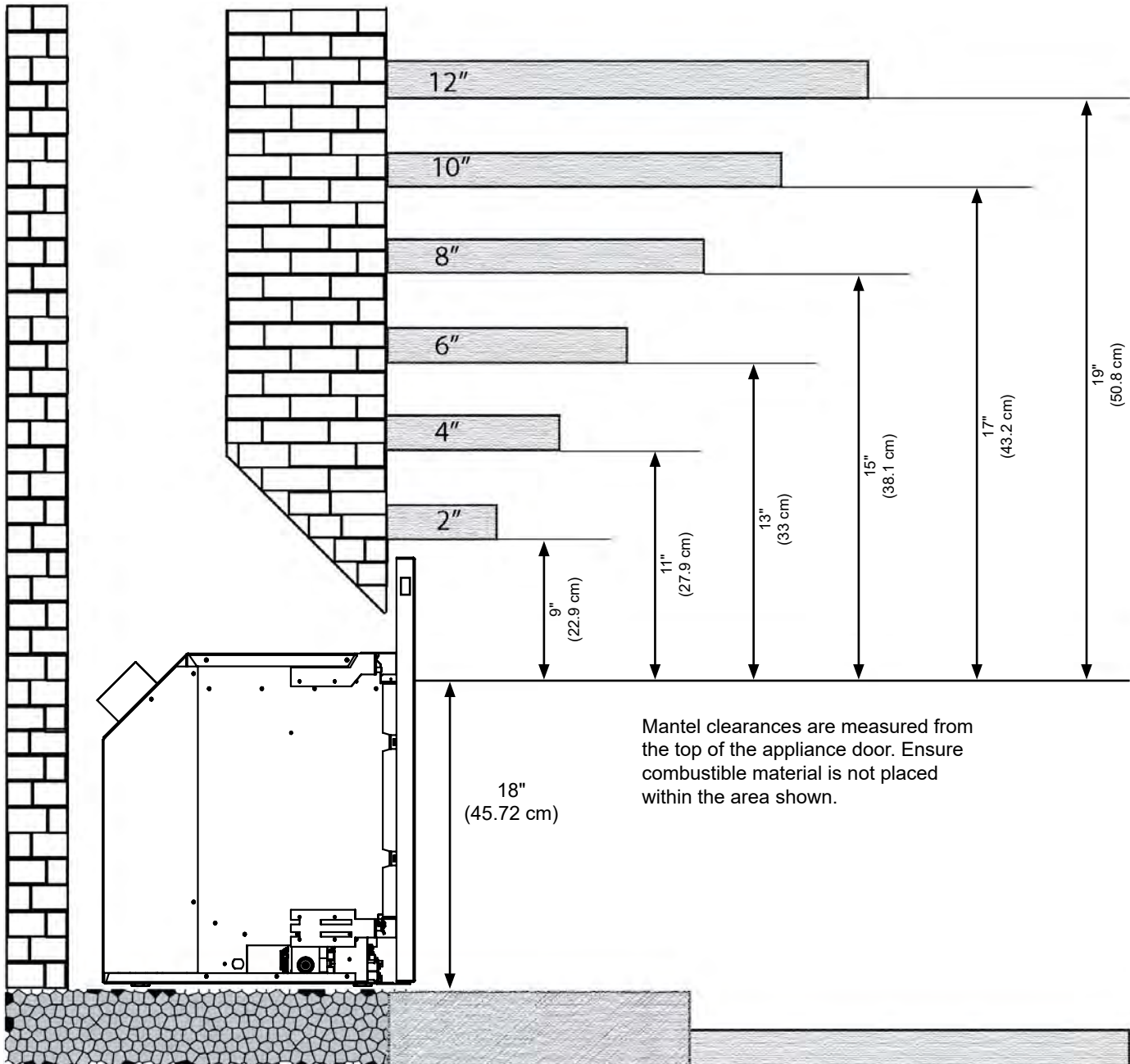


Figure 10.1.01

Installation

10.2 Sidewall Clearances

Maintain a minimum of 7" (17.8 cm) clearance from the side of the door to sidewalls or mantel supports.

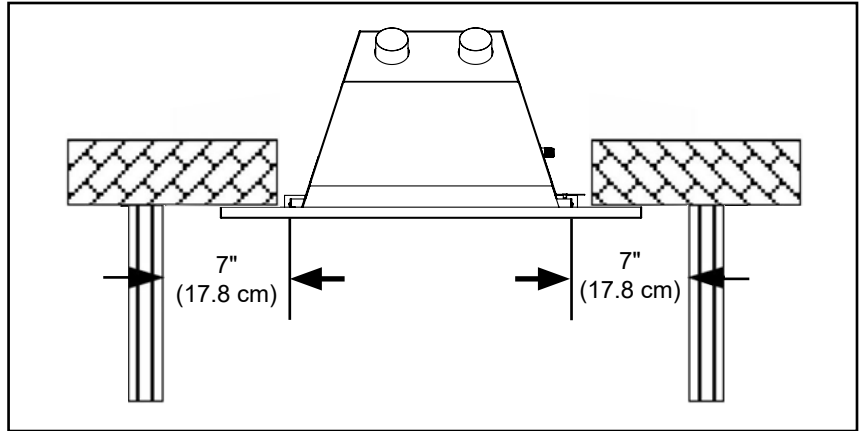


Figure 10.2.01

10.3 Hearth Clearances

Any hearth that extends outward in front of the insert may have any combustible material up to the bottom of the gas fireplace insert.

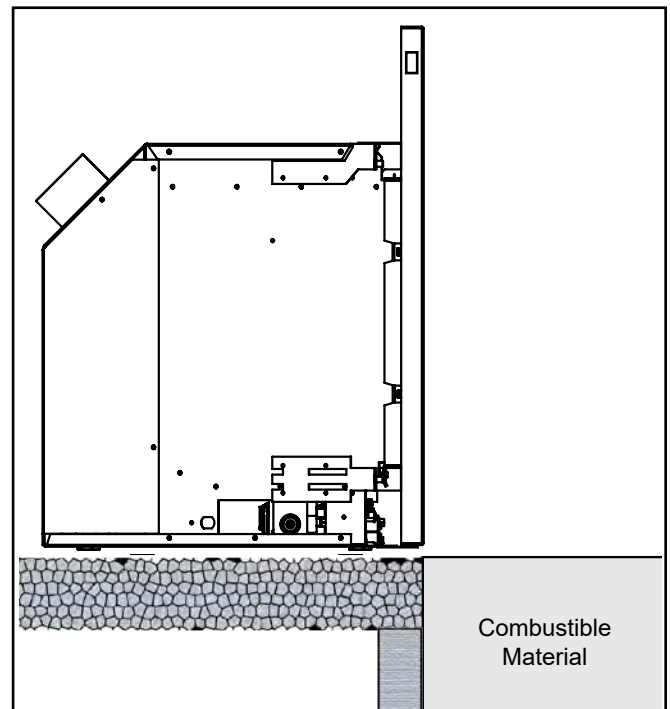


Figure 10.3.01

Installation

Guideline for Heat Sensitive Flooring Materials

Archgard fireplaces are heating products, designed to produce a large amount of radiant and convective heat. The clearances specified above are intended to be minimum clearance distances to combustible materials, however, flooring directly adjacent to the minimum hearth clearances may reach temperatures of up to 180°F (82°C) or higher depending on the installation.

Please check with your flooring manufacturer for temperature tolerances as some materials, such as vinyl, tend to be more sensitive to temperatures above average room temperature and may be damaged or warped if exposed to heat.

We recommend testing any flooring material to ensure that it can withstand temperatures generated by this fireplace. If the tolerances of the flooring material are not known or are not capable of withstanding the temperatures generated by this fireplace, install a heat pad constructed of material that is not sensitive to heat, or adjust clearances to heat sensitive materials as shown below.

Note: clearances shown are the width of the fireplace door. The dimensions shown are guidelines only and cannot account for all flooring material. The dimensions shown do not replace the hearth clearances for this product. Always maintain the clearances to combustible materials as shown on the previous page.

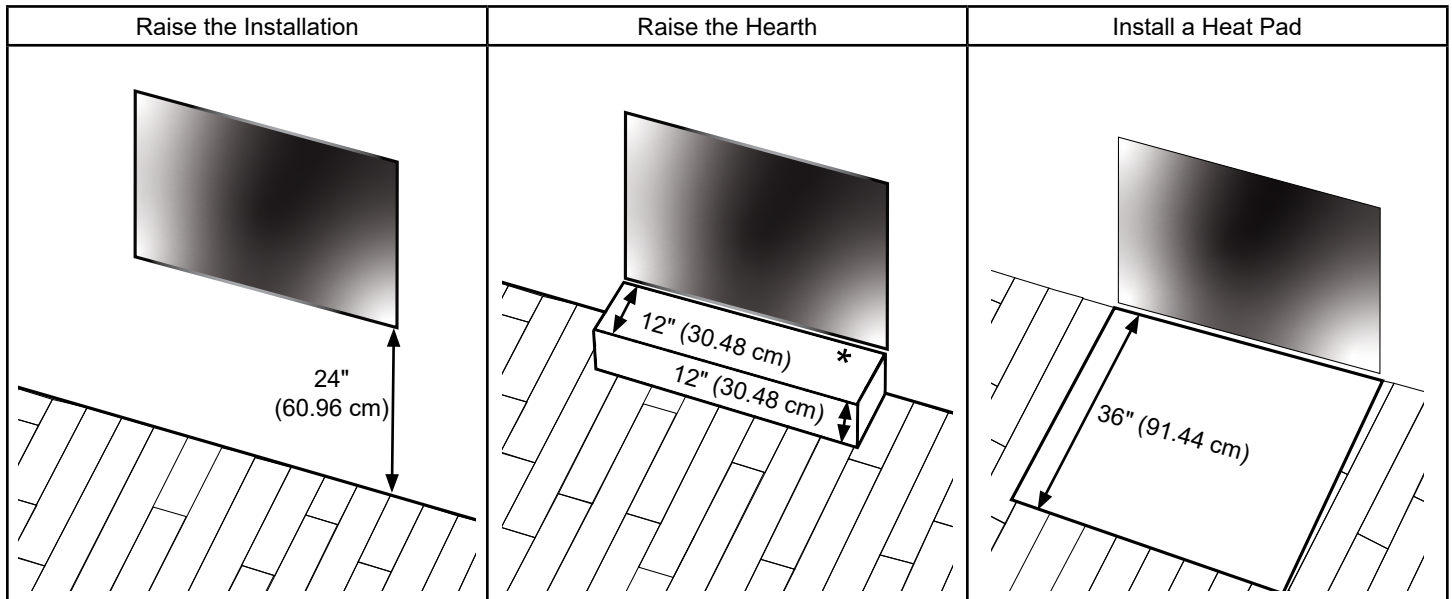


Figure 10.3.02

* Use whichever distance is greater when compared to the hearth clearances.

Installation

11.0 Gas Connections

Before connecting the appliance to the gas supply line, double check that the appliance you have purchased is designed for the gas type you are using. The gas type markings are located on the rating plate (See **Section 4.0** and **Section 6.1**) and also on the appliance's gas valve.

Adequate clearance for proper installation and checking of the gas connections must be provided. **All gas connections must be checked for gas leaks.**

Have your gas supplier or a qualified gas fitter run a gas supply line into the solid fuel fireplace. The line must be properly sized and fitted according to the installation codes. Immediately upstream of the supply connection, the fitter shall provide an accessible manual shut-off valve. When connecting the supply line to the gas valve, the installer shall brace the gas valve to ensure that the gas valve is not moved from its bracket. If the valve is not braced when the supply line is connected, the valve may be moved and cause a "break" in the main burner supply line. Such damage is not covered by the manufacturer's warranty.

CAUTION: The appliance and its individual shut-off valve must be disconnected from the gas supply piping system during any pressure-testing of that system at test pressures in excess of 1/2 psig (3.5 kPa). The appliance must be isolated from the gas supply piping system by closing its individual manual shut-off valve during any pressure-testing of the gas supply piping system at test pressures equal to or less than 1/2 psig (3.5 kPa). Failure to do so will damage the appliance's gas valve. Such damage is not covered by the manufacturer's warranty.

Natural Gas Pressure Settings:

The inlet supply or line pressure must be a minimum of 5.0" W.C. (1.2 kPa) and a maximum of 14.0" W.C. (3.5 kPa). The orifice is a #44 DMS (2.18 mm) drill size.

| <u>ELEVATION</u> | <u>INPUT RATING</u> |
|-----------------------------|---|
| 0-4500 ft (0-1372 M) | 15000 - 22,000 BTU/hr (4.4 - 6.45 kW) |
| 4500 ft (1372 M) and above. | 15000 - 22,000 BTU/hr (4.4 - 6.45 kW) less 4% per 1000 ft. (305 M) above sea level. |

Please contact your local distributor for the appropriate orifice size you require.

Propane Pressure Settings:

The inlet supply or line pressure must be a minimum of 12.0" W.C. (2.98 kPa) and a maximum of 14" W.C. (3.5 kPa). The orifice is a #54 DMS (1.397 mm) drill size.

| <u>ELEVATION</u> | <u>INPUT RATING</u> |
|------------------------------|---|
| 0-4500 ft. (0-1372 M) | 17,000 - 22,000 BTU/hr (4.98 - 6.45 kW) |
| 4500 ft. (1372 M) and above. | 17,000 - 22,000 BTU/hr (4.98 - 6.45 kW) less 4% per 1000 ft. (305 M) above sea level. |

Please contact your local distributor for the appropriate orifice size you require.

11.1 Clocking Procedure

IMPORTANT: THE INPUT RATING SHOULD ALWAYS BE CHECKED WHEN FIRST FIRING THIS APPLIANCE.

Before you begin, shut off all other gas appliances including any standing pilots. Light the fireplace and wait 15 minutes. Clock the time to burn 1ft³ of gas on the meter. Check with your gas supplier for the gas BTU content at your elevation. Input is the rate of flow multiplied by the heating value of the gas (cubic feet/hour x BTU per cubic feet). Note: This assumes a dry gas meter at 1/2 psi. If using a 2 psi dry gas meter the unit will rate lower as the calculation has to correct for the higher pressure in the meter. If the unit is over-rated, contact your authorized Archgard dealer. The following calculation equation gives a rough estimation as it does not correct for temperature and pressure.

Rough Calculation Equation:

$$\frac{3600}{\text{time to burn 1ft}^3 \text{ gas in seconds}} \times \frac{\text{gas caloric value in BTU/ft}^3}{\text{in BTU/ft}^3} = \text{Rating in } \frac{\text{BTU}}{\text{hr}}$$

Installation

12.0 Conversion Kit Instructions

IMPORTANT: This fireplace is Natural gas ready. If converting to LP gas, follow instructions below.

WARNING: This conversion kit shall be installed by a qualified service agency in accordance with the manufacturers instructions and all applicable codes and requirements of the authority having jurisdiction. If the information in these instructions is not followed exactly, a fire, explosion or productions of carbon monoxide may result, causing property damage, personal injury or loss of life. The qualified service agency is responsible for proper installation of this kit. The installation is not proper and complete until operation of the converted appliance is checked as specified in the instructions supplied with the kit. Refer to appliance owner's manual or product data plate for proper inlet and manifold pressure adjustments and orifice sizing.

IMPORTANT: For high altitude installations above 4500 ft (1372 meters), consult local gas distributor or the authority having jurisdiction for proper derating methods.

WARNING: Installation should be carried out in a clean environment.

WARNING: This modulating conversion kit must **ONLY** be applied as part of a conversion kit supplied by the **APPLIANCE MANUFACTURER**.

WARNING: Correct operation of the system cannot be guaranteed if the conversion kit or valve has been dropped or has sustained a strong impact.

INSTALLER NOTICE: These instructions must be left with appliance.

KIT NUMBERS: **22-CKMLP** for LP gas and **22-CKMNG** for Natural Gas

KIT INCLUDES:

- Gas conversion label (303-0128)
- Burner orifice (part number 301-6000-54, #54 DMS [1.397 mm] for LPG) (part number 301-6000-44, #44 DMS [2.18 mm] for NG)
- Instruction Sheet
- SIT 820 Valve conversion kit c/w instructions & gas type label

**WARNING: SHUT OFF GAS SUPPLY AND ELECTRICAL POWER TO FIREPLACE
SHUT OFF GAS SUPPLY BEFORE DISCONNECTING ELECTRICAL POWER**

12.1 Prepare the Fireplace

Remove the surround, barrier screen, glass frame assembly, logs or glass media, embers and brick panels or firebox liner (if applicable)*.

Remove the burner*.

*See relevant sections in this manual.

Remove the burner orifice using a 3/8" wrench. Replace with the orifice supplied with the conversion kit. Use a small amount of pipe sealant on the threads of the orifice mount. Do not use too much as it can block the orifice.



Figure 12.1.01:

12.2 Pilot Conversion

Using a 7/16" wrench and loosen the pilot hood 1/4 turn. Slide the tab at the bottom of the orifice hood all the way so the red side (propane) with the hole in it is showing. Tighten the pilot hood back up so that it is lined up with the two probes on both sides of the pilot assembly.



Figure 12.2.01:

Installation

Push orifice strip tab all the way against the hex fitting.
(See **Figure 12.2.03**)

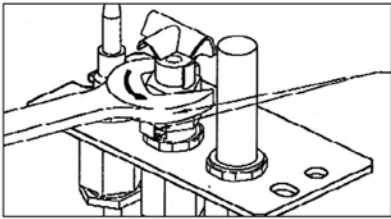


Figure 12.2.02:

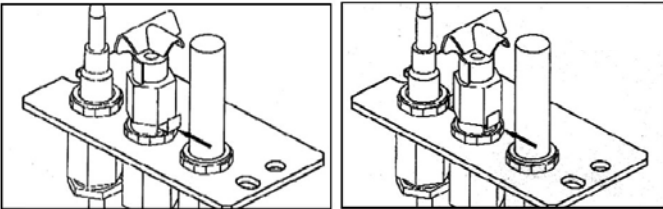


Figure 12.2.03:

Tighten the pilot target so that it aligns with the thermopile.
(See **Figure 12.2.04**)

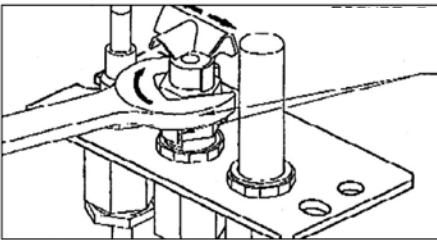


Figure 12.2.04:

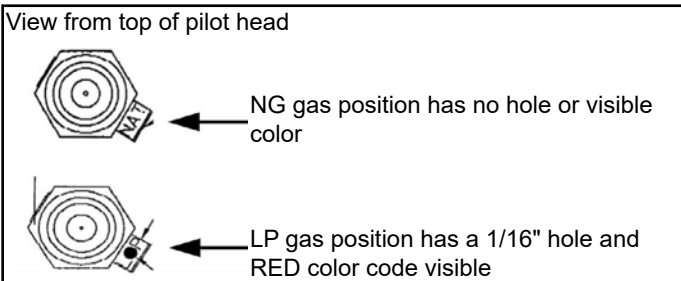


Figure 12.2.05:

12.4 Complete the Conversion

- Reinstall the burner, brick liners or firebox liner, logs or glass media, embers, and door*
- Turn on the gas and electrical supplies
- Turn on the fireplace so the burner is on
- Check for leaks at **all** connections

Test inlet and outlet pressure (See **Section 11.0**). Visually check pilot flame. Flame should envelope top of the flame sensor and extend forward onto the burner. To adjust pilot turn the pilot adjustment screw on the control valve clockwise to decrease or counter clockwise to increase pilot flame. Clock the rating as shown in **Section 11.1**. Adjust the primary air according to specifications in this manual or as found on the rating plate.

- Turn fireplace off
- Affix gas type label to the rating plate label (See **Section 6.1** for rating plate location)
- Complete the conversion label and affix to valve assembly plate
- Reinstall the barrier screen and surround*

*See relevant sections in this manual.

12.3 Convert the Gas Valve

On the SIT valve, use a #20 Torx or a slotted screwdriver to remove and discard the three pressure-regulator mounting screws (item A) the pressure regulator tower (item B) and the spring diaphragm assembly (item C).

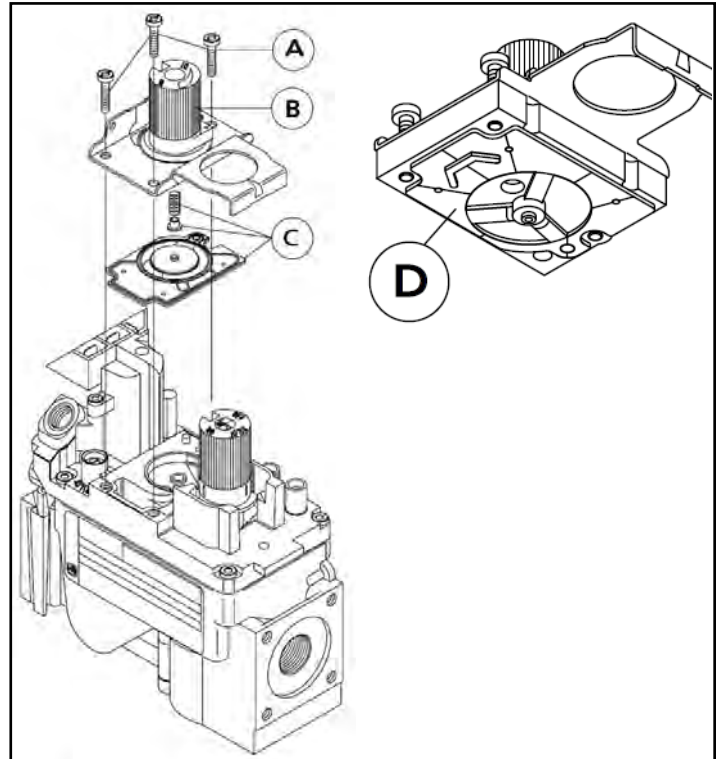


Figure 12.3.01:

Ensure that the rubber gasket (item D) is properly positioned and install the new modulating pressure regulator assembly to the valve using the screws provided in the conversion package.

Installation

13.0 Venting Instructions

WARNING: Operation of this heater when not connected to a properly installed and maintained venting system can result in carbon monoxide (CO) poisoning and possible death. The appliance must not be connected to a chimney flue serving a separate solid fuel burning appliance. The venting system shall be installed according to these instructions.

CAUTION

Only approved 3" (76mm) double wall aluminum or stainless flex liners and approved vent terminals are to be used for this appliance.

This appliance is designed for dual 3" (76 mm) double wall aluminum flex liner. The liner must run the entire length of the chimney from the appliance to the termination.

The flue length must be a minimum of 10' (3.05 M) and a maximum of 40' (12.2 M) from the top of the gas fireplace insert.

Masonry chimneys may take various contours which the flexible liner will accommodate, however, keep the flexible liner as straight as possible, avoiding unnecessary bending but at all times keep a minimum of 3" (76 mm) inside bend radius.

The Air Intake Flex Liner must form a tight connection to the inlet air collars of the termination cap and the appliance.

The Exhaust Flex Liner must form a tight connection to the exhaust collars of the termination cap and the appliance.

The Air intake and Exhaust connections are marked on the gas appliance. See Figure 13.0.01.

DO NOT REVERSE THESE CONNECTIONS

CAUTION

To ensure that the venting is not accidentally obstructed or punctured, the damper of the host fireplace must be permanently disabled by either complete removal of the damper, or by being fully blocked open, for the installation of a gas fireplace insert.

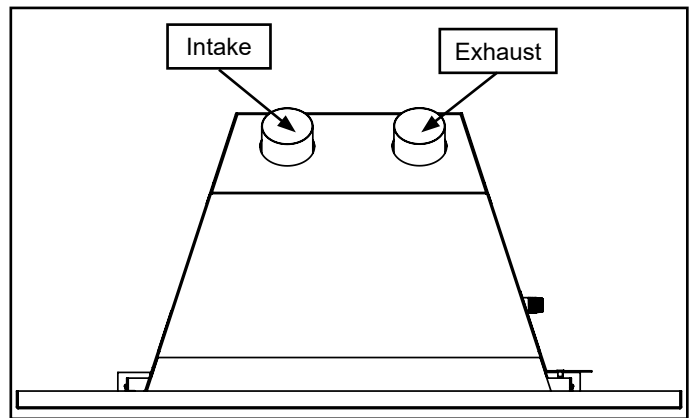


Figure 13.0.01: Intake & Exhaust as viewed from the top of the fireplace.

Using Vent Restrictors

Vent restrictors may be required depending on the length of flex liner being used. Place Vent Restrictor on the exhaust collar in the position shown prior to attaching the Flex Liner. Restrictors are to be used ONLY when operating with NATURAL GAS.

| Vent length | Restrictor use |
|---------------|----------------|
| 10' - 13.9' | None |
| 14' - 19.9' | Restrictor #1 |
| 20' and above | Restrictor #2 |

Note: Do not use a restrictor if installing 22-LKF2.

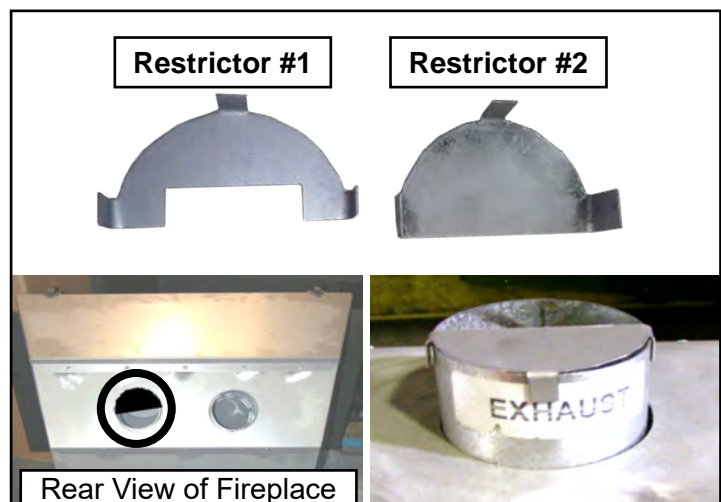
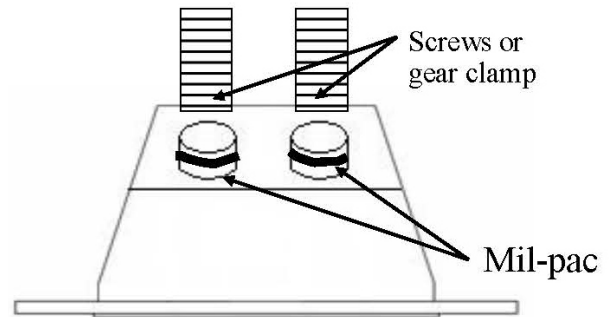
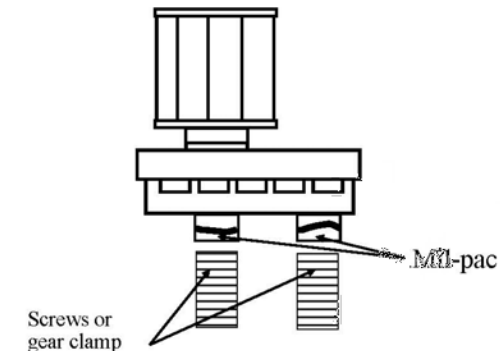


Figure 13.0.02:

Installation

Sealing the Vent

Secure the flexible liner at the top of the fireplace and at the termination. **DO NOT** use silicone as this will void the pilot assembly warranty. Use a non silicone sealant such as Mil-Pac and three (3) screws or gear clamps to seal the liner at each end.



13.1 Approved Venting Components

| Archgard Venting Components | |
|--------------------------------------|---------------|
| Vent Component | Part Number |
| Vertical Termination | 999-INS-TK |
| 3" x 30' Aluminum Flex Liner | 999-INS-FL330 |
| 3" x 50' Aluminum Flex Liner | 999-INS-FL350 |
| 3" to 2" Reducer - Liner Kit Flex 2" | 22-LKF2 |

Approved venting components from third party manufacturers may be found on the following page.

Installation

| Third Party Venting Components | | | | | |
|---|----------------------|------------------|------------------------|-------------------------------|------------------------|
| | BDM | Selkirk | Duravent | ICC | Amerivent |
| 3" Flex (10ft) | 95270310 | AFE10-03 | N/A | N/A | 3ALKE10 |
| 3" Flex (25ft) | 95270325 | AF3-25L | 3DFA-25 | N/A | 1730250 |
| 3" Flex (30ft) | 95270330 | N/A | N/A | N/A | N/A |
| 3" Flex (35ft) | 95270335 | AF3-35L | 3DFA-35 | TC-3AL35 | 1730350 |
| 3" Flex (50ft) | 95270350 | AF3-50L | N/A | TC-3AL50 | 3ALKE50 |
| 3" Flex Coupling | 95090390 | AF3-FC | 3DFA-FC | TM-CFAA3 | Comes with |
| 4x6 5/8 Coaxial High Wind Cap | DVR6-VCH | 4DT-VC | 46DVA-VCH | TM-4SVT | N/A |
| 4x6 5/8 Coaxial Low-Profile Cap | DVR6-LPC | 4DT-VT | N/A | N/A | 4DVC |
| 3x3 Colinear to 4x6 5/8 Coaxial Adapter | DVF33-A6 | 4DT-CBT, 4DT-AAC | 46DVA-GK or 46DVA-CLTA | TM-CTA | 4DCAT33 |
| High Wind Shield Round | DVR68-VWG | N/A | 46DVA-VWG | TM-SVTS | N/A |
| High Wind Shield Rectangular | N/A | N/A | N/A | TM-CTS | N/A |
| Co-linear High Wind Vert Term Kit (with 35 ft. Flex) for Masonry Chimney | 94203370HWS | 1604645 | 46DVA-CL33 | TM-ALK33 | DVIK33 (Not High Wind) |
| Co-linear Rectangular Vent Term Kit (with 35 ft. Flex) for Masonry Chimney | N/A | N/A | N/A | TM-ALT33 | N/A |
| Co-linear Direct Vent Factory Built Reline Kit High Wind Vert Term (with 35ft Flex) | N/A | N/A | 46DVA-CL33KFB | TC-AL35, TM-IVT, TM-IVTP | N/A |
| 3x3 Co-linear Round Vert Term | 940033HWS | 1604643 | N/A | TM-IVT | DVCC33 |
| 3x3 Co-linear High Wind Vert Term Round Base | 9400332RD | N/A | N/A | TM-IVT, TM-IVTP | N/A |
| 3x3 Co-linear High Wind Vert Term Square Base | 940033HWS | N/A | N/A | TM-IVT, TF-MFR, TF-MFC, TF-MF | N/A |
| Co-linear Masonry Flashing Rectangular Vert Term | N/A | N/A | N/A | TF-CTF, TF-CTFC | N/A |
| 3x3 Co-linear Square Vert Term | 940033, 9400330808SS | N/A | N/A | N/A | N/A |
| 3x3 Co-linear Rectangular Vert Term | 940034EC26SS | N/A | N/A | TM-CT3 | N/A |
| Co-linear Masonry Flashing Rectangular Vert Term | N/A | N/A | N/A | TF-CTF, TF-CTFC | N/A |
| Prefab Chimney Flashing | N/A | N/A | N/A | TM-IVTP | N/A |
| 3" Appliance Co-linear Flex Connector | N/A | 4DT-CFC | 46DVA-ADF | N/A | N/A |
| 3x3 Co-linear Square Double Cap | 940033DBL | N/A | N/A | N/A | N/A |

ATTENTION

NO OTHER VENTING SYSTEM OR COMPONENTS MAY BE USED.

Part numbers shown are correct at the time of printing and should be confirmed with the manufacturer prior to purchase.

Follow manufacturer instructions for installation of termination.

Installation

13.2 Min/Max Vent Run

Instructions for installing venting and terminations (see list for approved venting and terminations).

Install the termination cap being sure to provide sufficient space (around and on top) so you do not impede the flow of air, both into and out of the cap. This cap is only to be used for non combustible installations. Do not recess into the top of the chimney.

1. Mark each end of one flex liner with "Air Intake".
2. Mark each end of the second flex liner with "Exhaust".
3. Pull the liner through the chimney.
4. Install the flashing.
5. Seal and attach the flex liner marked "Air Intake" to the vent terminal pipe marked "Air Intake" as per terminal manufacturers instruction. **DO NOT USE SILICONE.**
6. Seal and attach the flex liner marked "Exhaust" to the vent terminal pipe marked "Exhaust" as per terminal manufacturers instruction. **DO NOT USE SILICONE.**
7. Seal and attach the end of the flex liner marked "Air Intake" to the collar marked "Air Intake" on the appliance with the collar clamp provided with the unit. **DO NOT USE SILICONE.**
8. Seal and attach the end of the flex liner marked "Exhaust" to the collar marked "Exhaust" on the appliance with the collar clamp provided with the unit. **DO NOT USE SILICONE.**
9. Caulk all joints using a high temperature sealant such as milpac. **DO NOT USE SILICONE. Use of silicone sealants voids the warranty of the pilot assembly.**

NOTE: The flex liners must form a complete connection from the appliance flue collars to the vertical termination cap.

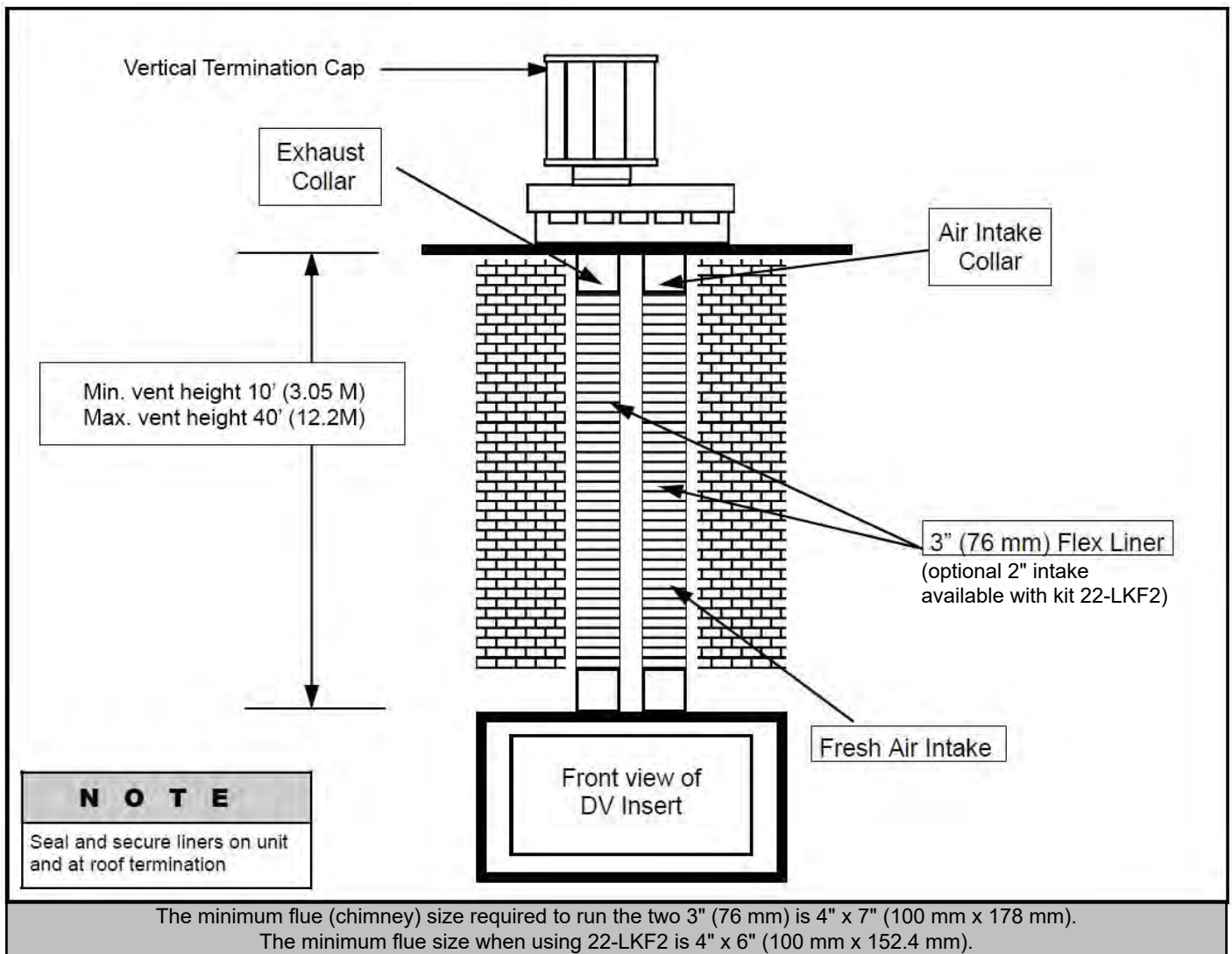


Figure 13.2.01:

General Information

13.3 Using a Co-linear to Coaxial Adapter

The gas fireplace can be converted from co-linear to coaxial when it is desired to remove a section of the masonry fireplace chimney to below the roof line.

WARNING

This appliance must be installed by a qualified gas appliance installer. The installation must conform with the local codes or, in the absence of local codes, with the current National Fuel Gas Code ANSI Z223.1/ NFPA 54 in the US, or Installation Code CAN/ CGA-B149.1 in Canada. Electrical connections and grounding must conform with local code, or current National Electrical code ANSI/NFPA No. 70-1987 in the US, and in Canada the current Canadian Electrical Code CSA C22.1.

- The sections of coaxial pipe cannot be longer than 6ft. or 50% of the total vent length, whichever is shorter
- A sealed flashing must be placed on top of the chimney where the co-linear to coaxial adapter is seated
- The total vent run must be a minimum of 10ft. from the top of the gas fireplace insert
- A 1" clearance must be maintained from the coaxial pipe to insulation and combustible material
- The termination must be 18" from the roof to the bottom of the termination

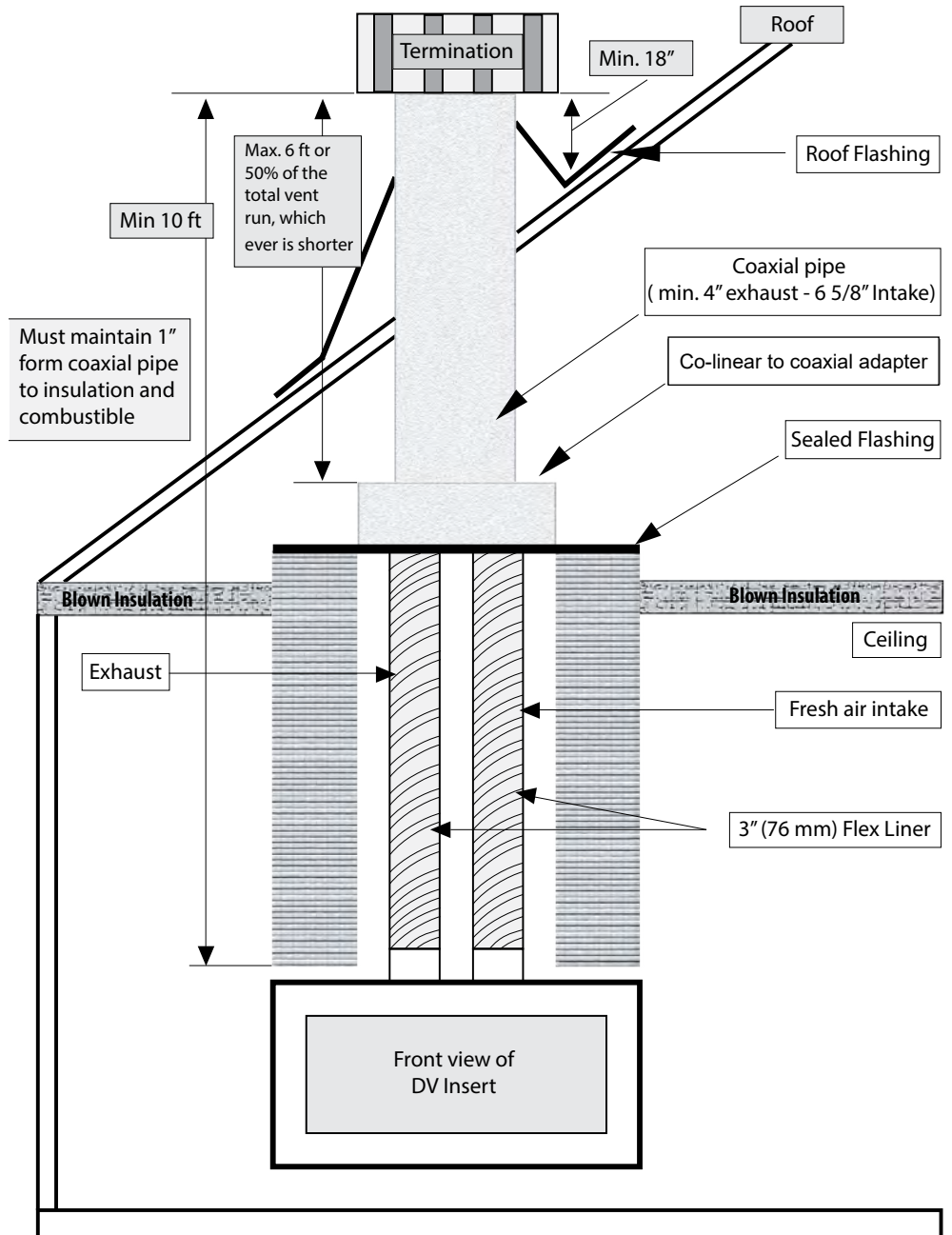


Figure 13.3.01:

Installation

14.0 Barrier Screen Installation

If barrier becomes damaged, the barrier shall be replaced with the manufacturer's barrier for this appliance
(Part Number: 22-BS).

The door and barrier screen install together using the same screws. Be sure to place the Glass Door over the tabs on the top of the firebox prior to installing the screen. Never operate this fireplace with the door removed.

Before you begin: Install the Glass Door (see **Section 15**).

Step 1: Align the hooks on the top of the screen with the tabs on the top of the firebox. Make sure the door is installed firmly on the tabs to align the holes on the bottom of the screen with the holes on the bottom of the door.

Step 2: Use the screws included with the fireplace to install the door and screen together. **Caution:** use a screwdriver, do not over-tighten.

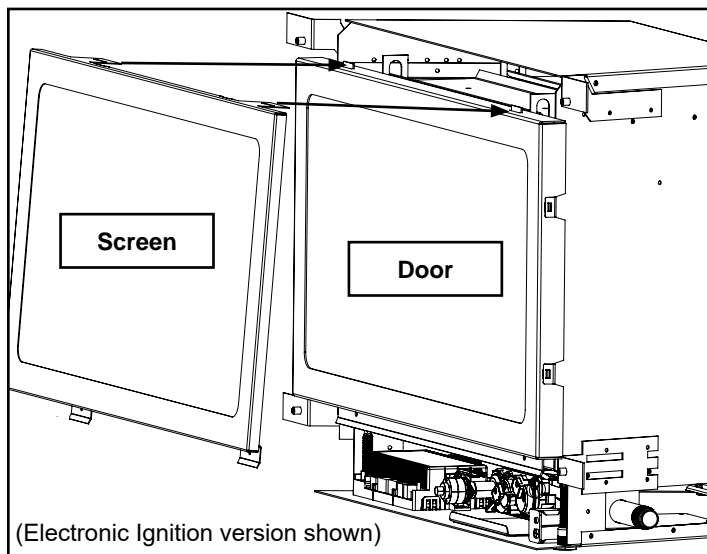


Figure 14.0.01:

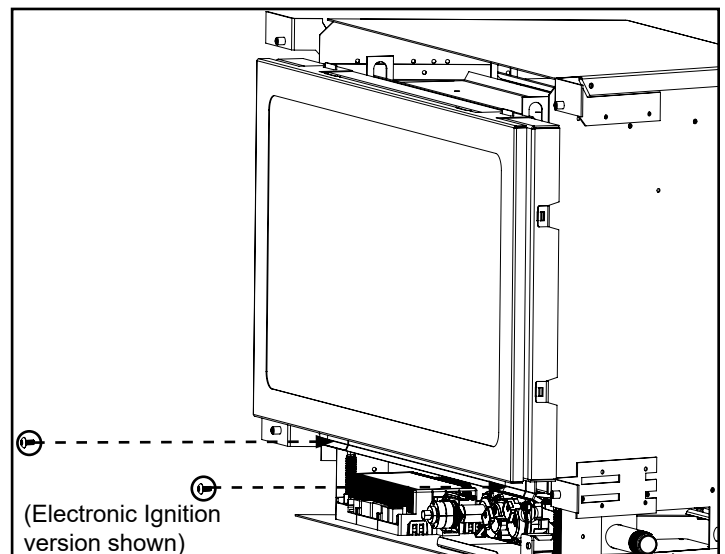


Figure 14.0.02:

Removal is the reverse of installation.

Installation

15.0 Glass Door Installation

WARNING: Do not operate appliance with the glass front cracked or broken. Replacement of the glass should be done by a licensed or qualified service person. Do not attempt to remove the glass door when the appliance is hot. Be sure there are no fingerprints left on the glass panels during install or when cleaning as high temperatures can bake these prints on permanently. Inspect the door gasket to ensure no damage has occurred when installing the door.

The door and barrier screen install together using the same screws. Be sure to place the Glass Door over the tabs on the top of the firebox prior to installing the screen. Never operate this fireplace with the door removed.

Step 1: Align the door with the firebox opening. Slip the tabs on the top of the firebox through the openings in the top of the door.

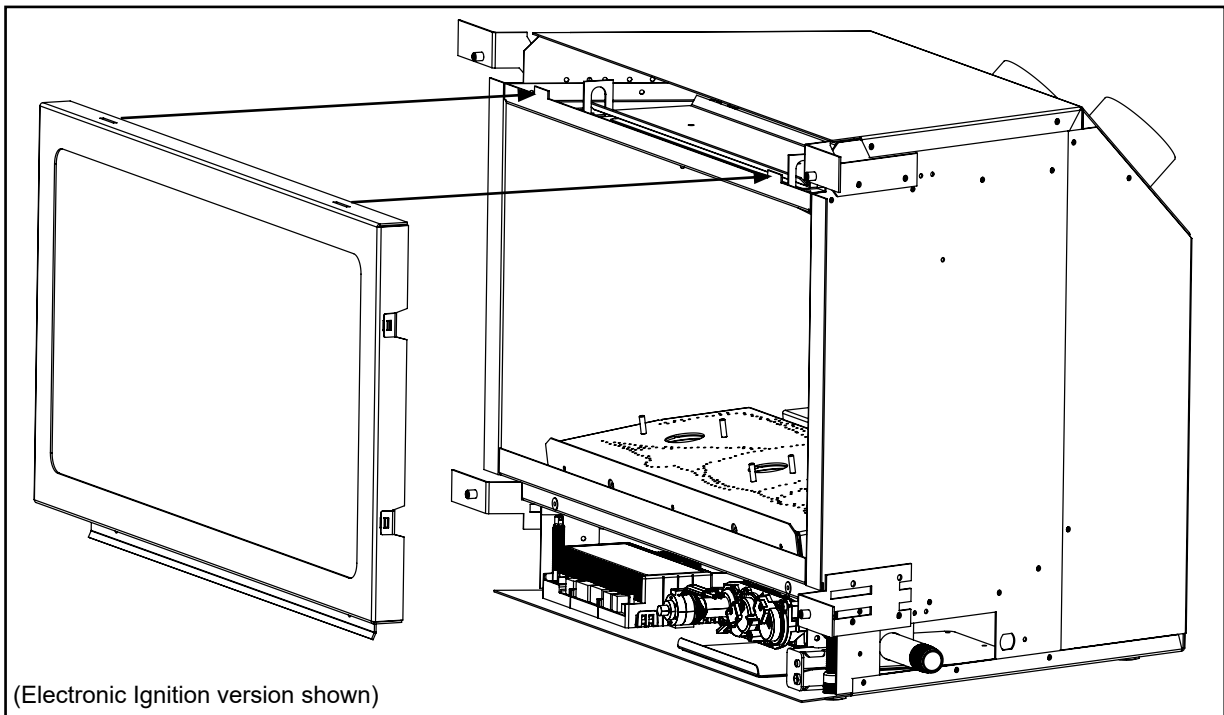


Figure 15.0.01:

Step 2: Place the barrier screen over the tabs on the top of the firebox and install both the door and screen together using the two screws included with the fireplace (see **Section 14**).

Removal is the reverse of installation.

15.1 If Your Glass Breaks

If the glass door should crack or break, replace the original door assembly with the manufacturer's door assembly (part number: RP-822-0000).

- Remove the barrier screen (see **Section 14.0**)
- Remove the door as described above
- Replace the door assembly
- Reinstall the barrier screen

Note: the NEW door will emit an odor when the appliance is lit. The odor will dissipate after the gasket material within the door has cured.

Warning: Only doors certified with the appliance shall be used. Do not use substitute glazing materials.

16.0 Surround Installation

- Make sure the gas and electrical lines are properly connected to the appliance
- Slide the unit into the fireplace and slide the excess flue liner material back onto the chimney
- Align the four mounting brackets on the surround with the adjustable tabs located on the fireplace
- Attach the surround to the appliance using the screws included with the surround

note: Images show installation of the 22-SKSBS, however, the installation process is the same for each surround option available.

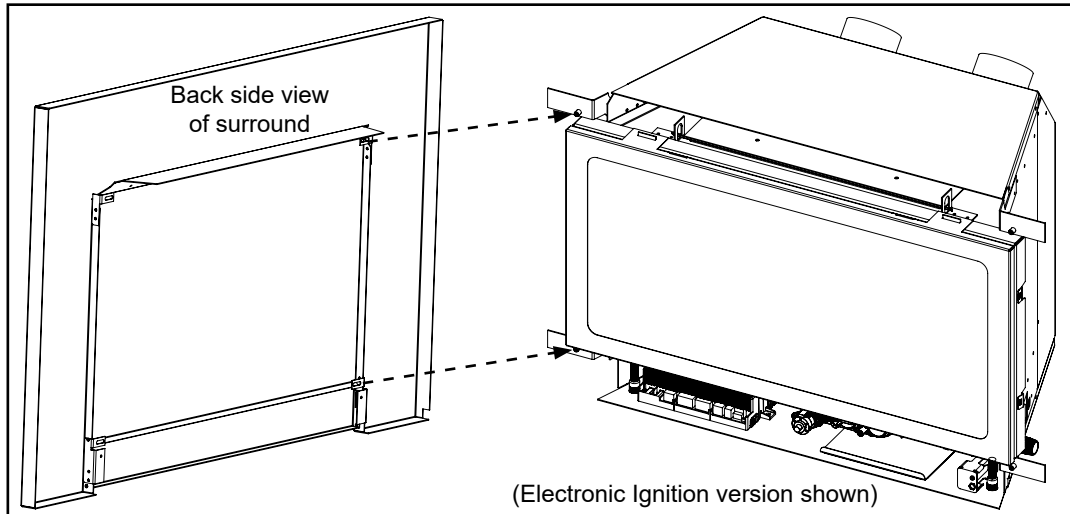


Figure 16.0.01:

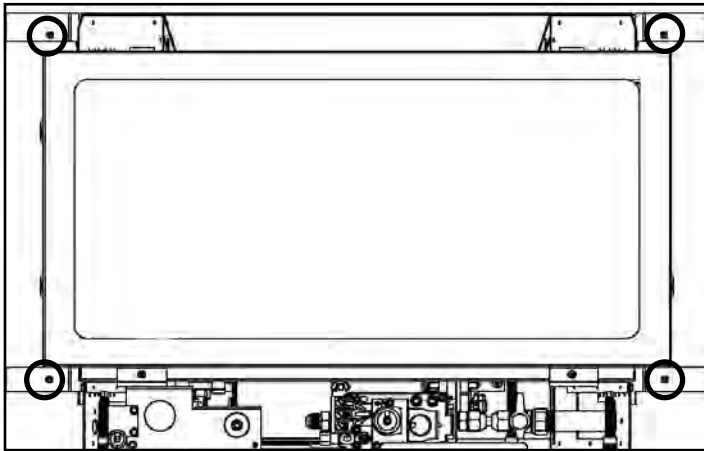


Figure 16.0.02:

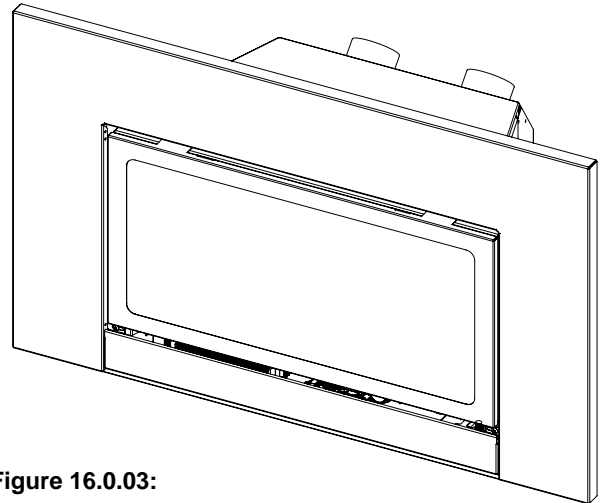


Figure 16.0.03:

16.1 Installing the ON/OFF Switch

Step 1: Pass the switch wires through the opening in the side of the surround. Press the switch into place.

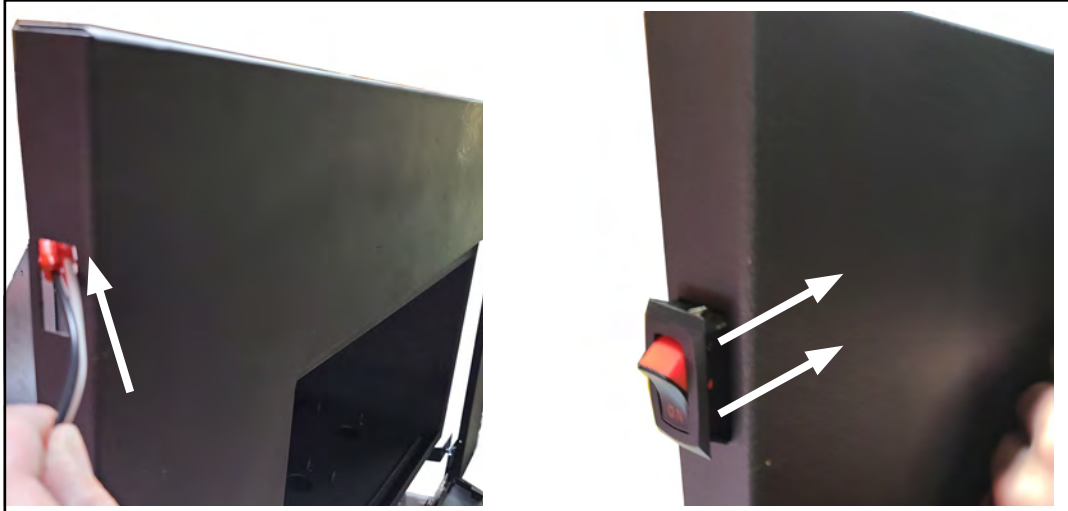


Figure 16.1.01:

Step 2: Pass the wires between the fireplace and fireplace surround.



Figure 16.1.02:

Step 3: Plug the wires into the valve as shown. Keep wires down and away from the firebox.

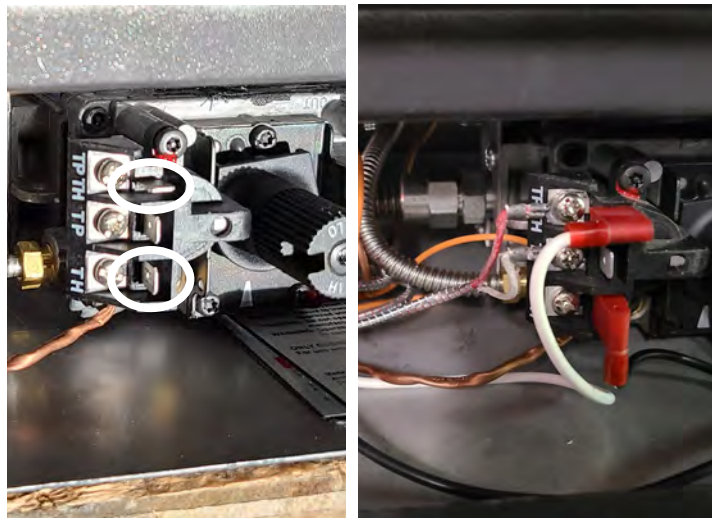


Figure 16.1.03:

Installation

16.2 Bottom Filler Plate

After installing the surround, align the Bottom Filler Plate included with your fireplace with the underside of the surround. Slide the plate under the lower edges on the surround as shown.

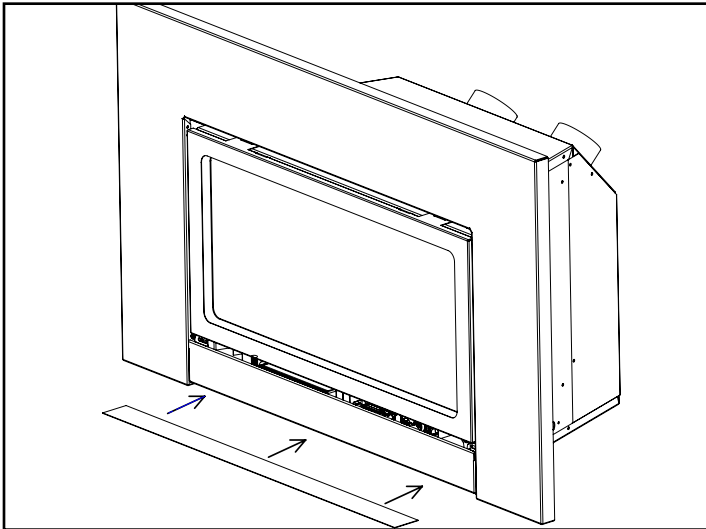


Figure 16.2.01: Align the plate.

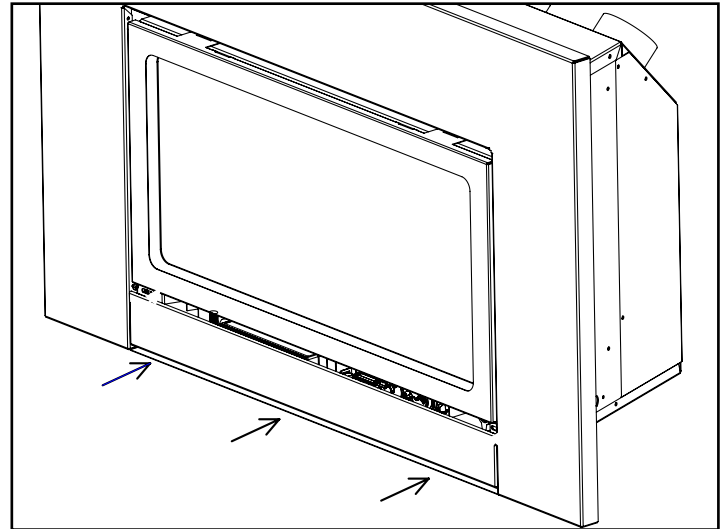


Figure 16.2.02: Slide the plate in place.

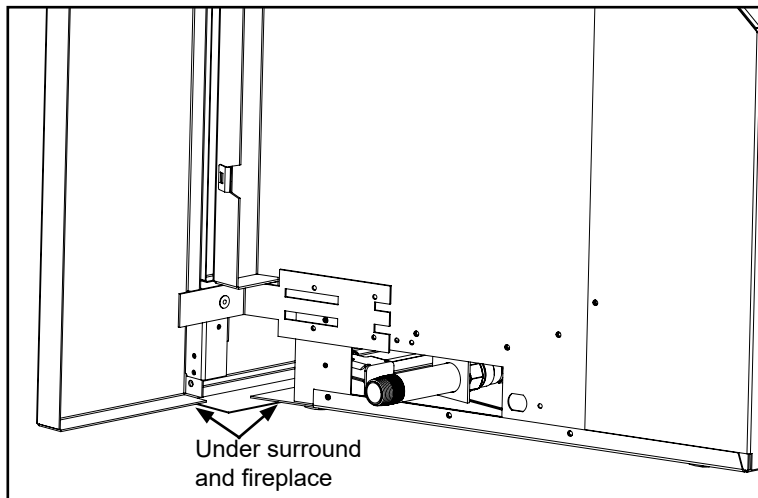


Figure 16.2.03: View from behind the surround.

16.3 Surround Dimensions

Three-sided Surrounds

| | 22-SKSBS | 22-SKLBS |
|---|-------------------|--------------------|
| A | 6.00" (15.24 cm) | 9.00" (22.86 cm) |
| B | 38.11" (96.80 cm) | 44.11" (112.04 cm) |
| C | 23.95" (60.83 cm) | 25.95" (65.91 cm) |
| D | 1.00" (2.54 cm) | 1.00" (2.54 cm) |
| E | 2.92" (7.42 cm) | 2.92" (7.42 cm) |

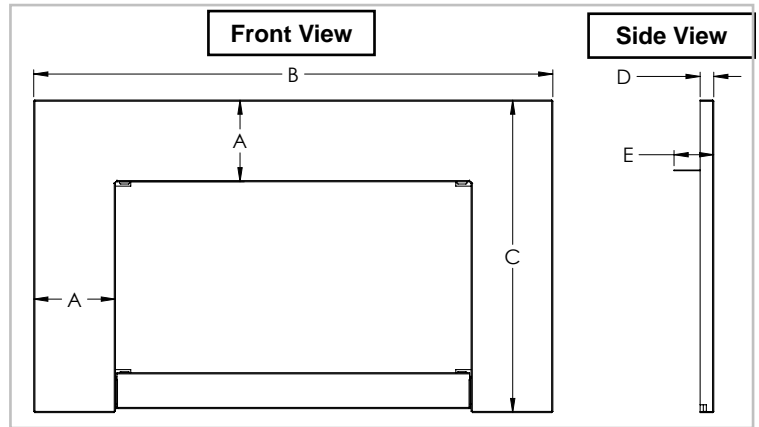


Figure 16.3.01:

Four-sided Surrounds

| | 22-SK4SBS | 22-SK4LBS |
|---|-------------------|--------------------|
| A | 6.00" (15.24 cm) | 9.00" (22.86 cm) |
| B | 38.11" (96.80 cm) | 44.11" (112.04 cm) |
| C | 28.93" (73.48 cm) | 34.93" (88.72 cm) |
| D | 1.00" (2.54 cm) | 1.00" (2.54 cm) |
| E | 2.92" (7.42 cm) | 2.92" (7.42 cm) |

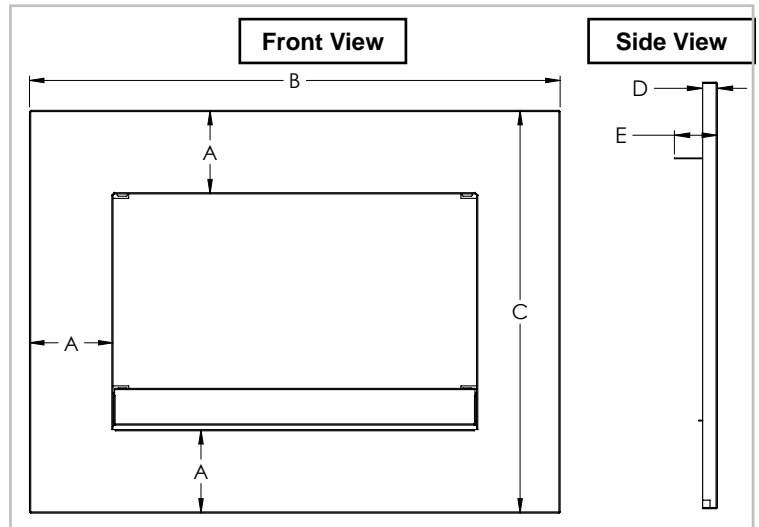


Figure 16.3.02:

Trimnable Surround (22-SK4BLANK)

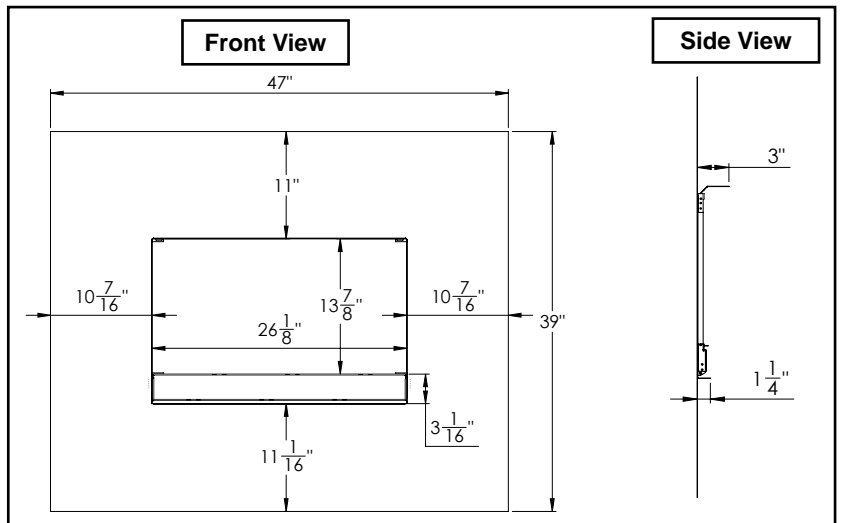


Figure 16.3.03:

Installation

Decorative Plinths

Archgard decorative plinths add a base that is slightly wider than the surround, turning your fireplace into a true work of art.

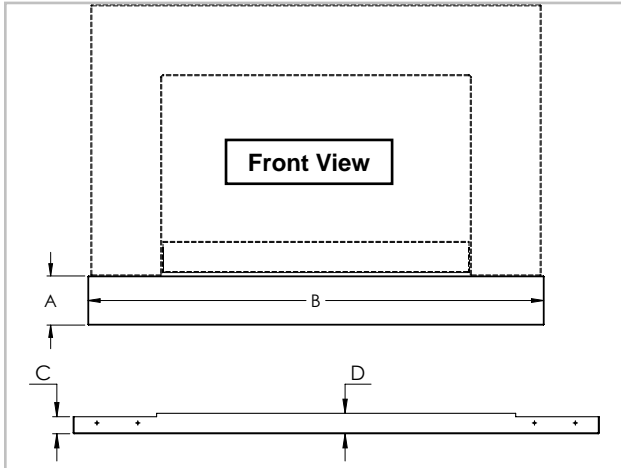


Figure 16.3.04:

| | 22-DPSS2 | 22-DPSS4 | 22-DPSS6 |
|---|-------------------|-------------------|-------------------|
| A | 2.16" (5.49 cm) | 4.16" (10.57 cm) | 6.16" (15.65 cm) |
| B | 38.58" (98.00 cm) | 38.58" (98.00 cm) | 38.58" (98.00 cm) |
| C | 1.25" (3.18 cm) | 1.25" (3.18 cm) | 1.25" (3.18 cm) |
| D | 1.5" (3.81 cm) | 1.5" (3.81 cm) | 1.5" (3.81 cm) |

For use with the 22-SKSBS surround.

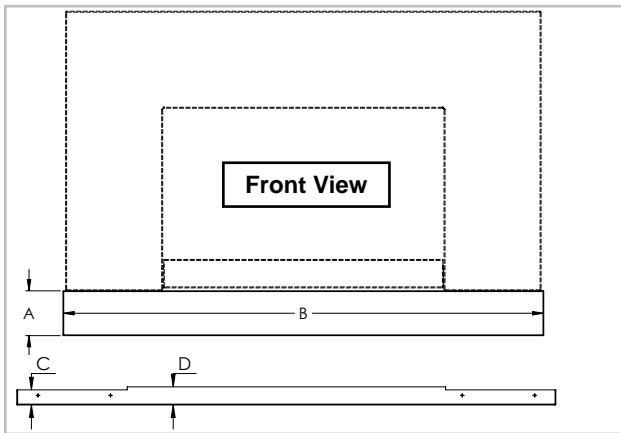


Figure 16.3.05:

| | 22-DPLS2 | 22-DPLS4 | 22-DPLS6 |
|---|--------------------|--------------------|--------------------|
| A | 2.16" (5.49 cm) | 4.16" (10.57 cm) | 6.16" (15.65 cm) |
| B | 44.61" (113.31 cm) | 44.61" (113.31 cm) | 44.61" (113.31 cm) |
| C | 1.25" (3.18 cm) | 1.25" (3.18 cm) | 1.25" (3.18 cm) |
| D | 1.5" (3.81 cm) | 1.5" (3.81 cm) | 1.5" (3.81 cm) |

For use with the 22-SKLBS surround.

Installation

Decorative Trims

Archgard decorative trims add definition to your Archgard surround by adding black, brushed nickel, or gold plated trims around the firebox.

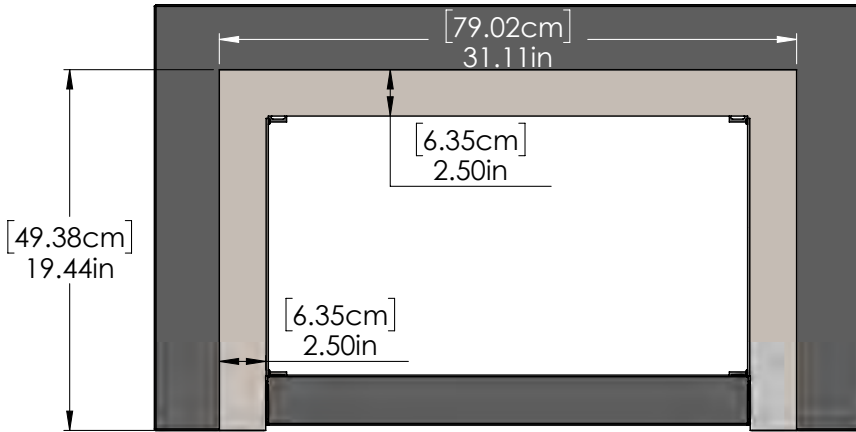


Figure 16.3.06:

| Three-sided Decorative Trims | |
|---|--------------------------------|
| Model | Description |
| 22-DTBK | Black Decorative Trim |
| 22-DTBN | Brushed Nickel Decorative Trim |
| 22-DTGP | Gold Plated Decorative Trim |
| For use with the three-sided surrounds. | |

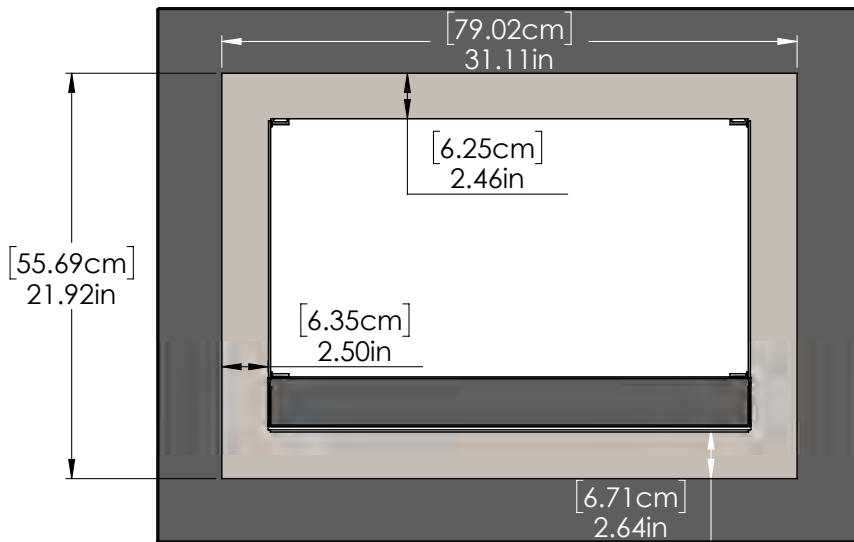


Figure 16.3.07:

| Four-sided Decorative Trims | |
|--|--------------------------------|
| Model | Description |
| 22-DT4BK | Black Decorative Trim |
| 22-DT4BN | Brushed Nickel Decorative Trim |
| 22-DT4GP | Gold Plated Decorative Trim |
| For use with the four-sided surrounds. | |

17.0 Firebox Liner Installation

17.1 Brick Panel Installation

The following steps highlight the procedure for installing brick panel firebox liners. Handle the panels with care as they are delicate. Inspect the panels to ensure that no damage has occurred inside the package. Please report any damage immediately to your Authorized Archgard Dealer.

Before you begin:

- **Ensure the gas supply is turned OFF and disconnect the power supply**
- Remove barrier screen (see **Section 14.0**)
- Remove Glass Door (see **Section 15.0**)

Step 1: Locate the brick clips included in the fireplace manual bag.

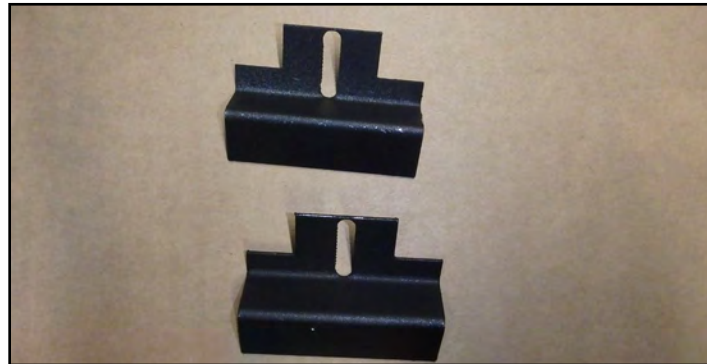


Figure 17.1.01:

Step 3: Hold the Rear panel in place. The short brick ends should be at the top of the panel.

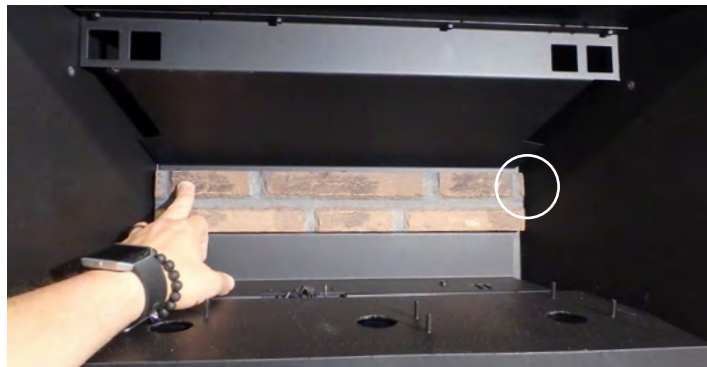


Figure 17.1.03:

Step 5: Use one of the brick clips to secure the panel in place.

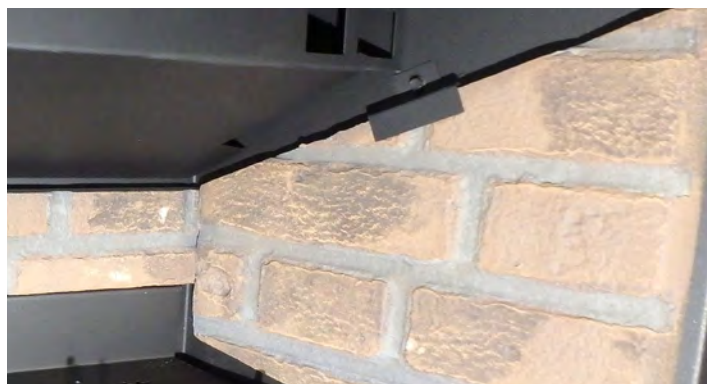


Figure 17.1.05:

Step 2: Remove the two screws located in the top of the firebox. These will be used to install the brick clips.



Figure 17.1.02:

Step 4: Place one side panel (left or right) in place.



Figure 17.1.04:

Step 4: Place the remaining panel in place and secure with the remaining brick clip.



Figure 17.2.04:

Installation

17.2 Reflective Glass Installation

The following steps highlight the procedure for installing Eternal Flame Reflective Ceramic Glass liner. Handle the panels with care. Inspect the panels to ensure that no damage has occurred inside the package. Please report any damage immediately to your Authorized Archgard Dealer. Be sure there are no fingerprints left on the glass panels during install or when cleaning as high temperatures can bake these prints on permanently.

Before you begin:

- **Ensure the gas supply is turned OFF and disconnect the power supply**
- Remove barrier screen (see **Section 14.0**)
- Remove Glass Door (see **Section 15.0**)

Step 1: Remove the two screws located in the top of the firebox. These will be used to install the panel clips included with the panels (see **Figure 17.2.02**).

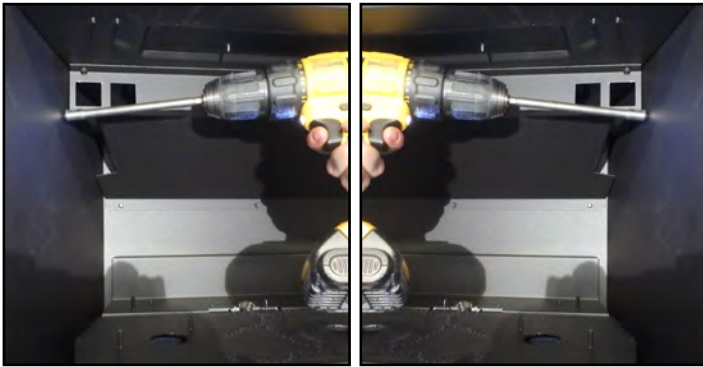


Figure 17.2.01:

Step 2: Place the left or right side panel. The longest edge aligns with the top of the firebox.



Figure 17.2.03:

Step 4: Place the rear panel in the back of the firebox, above the log rest. One end should slip behind the panel already installed.

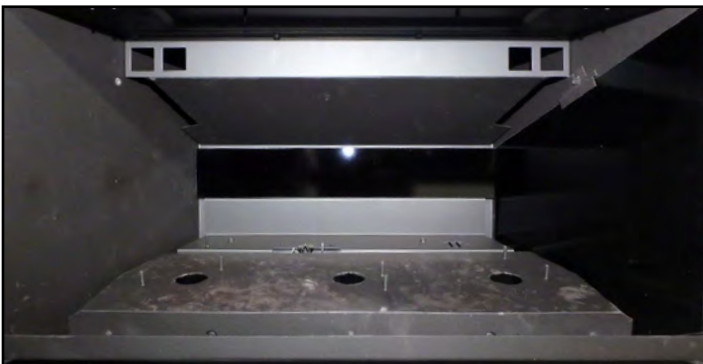


Figure 17.2.05:

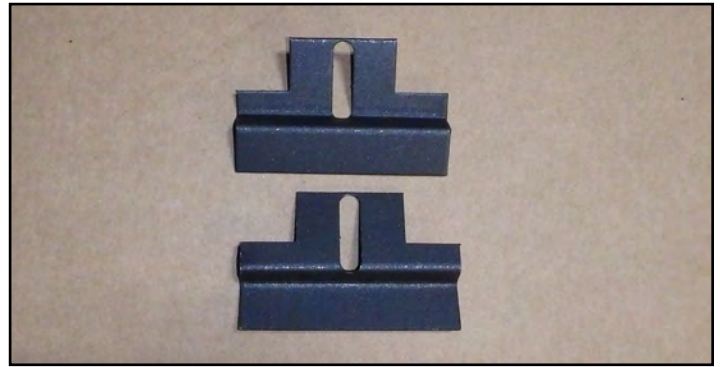


Figure 17.2.02:

Step 3: Install the first panel clip using a screw removed in **Step 1**.



Figure 17.2.04:

Step 5: Place the final panel in the firebox and secure it in place using the remaining panel clip and screw.

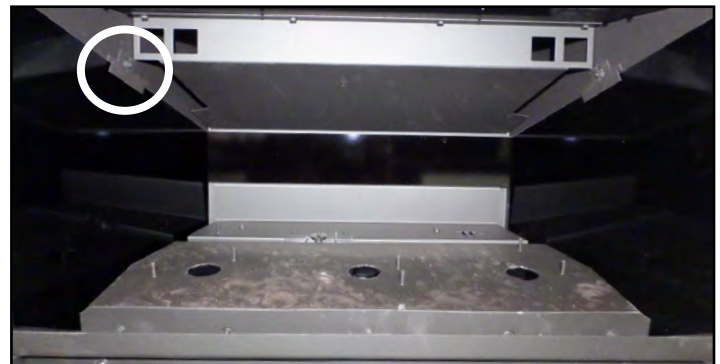


Figure 17.2.06:

18.0 Media Installation

WARNING

Failure to position the parts in accordance with these diagrams or failure to use only parts specifically approved with this appliance may result in property damage or personal injury.

18.1 Log Set

The Archgard burner and fiber logs set are designed to give a realistic fire package. Care must be given when first installing the logs or when removed for servicing, as they can be damaged or broken if not handled properly.

After opening the log set package, inspect the logs to ensure that no damage has occurred inside the package. Please report any damage immediately to your Authorized Archgard Dealer.

Gas and vent connection must be made before installing the embers and logs on the pan burner.

CAUTION: DO NOT block pilot opening with embers or glass media material.

NOTE: Improper placement of logs and embers may cause soot accumulation on the internal parts and glass. This is not covered under warranty. Do not use broken or damaged logs.

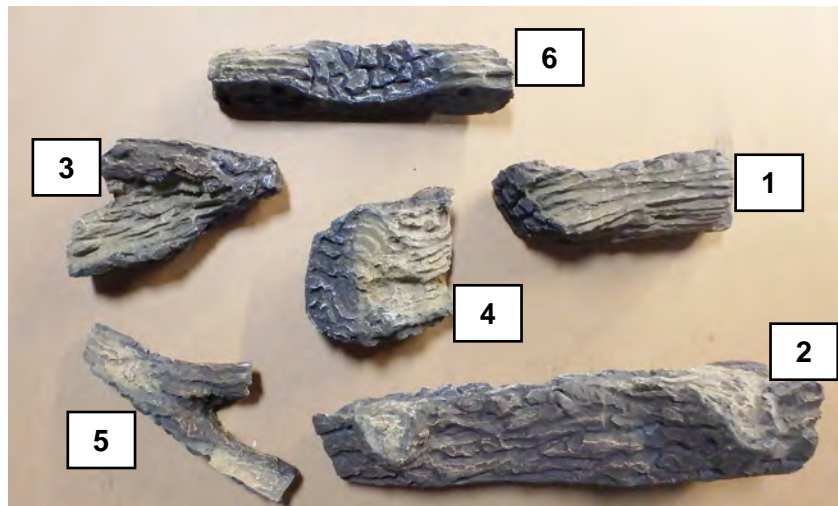


Figure 18.1.01: Identifying Logs.

Step 1: Place Log #2 over the pins on the right side of the burner.



Figure 18.1.02:

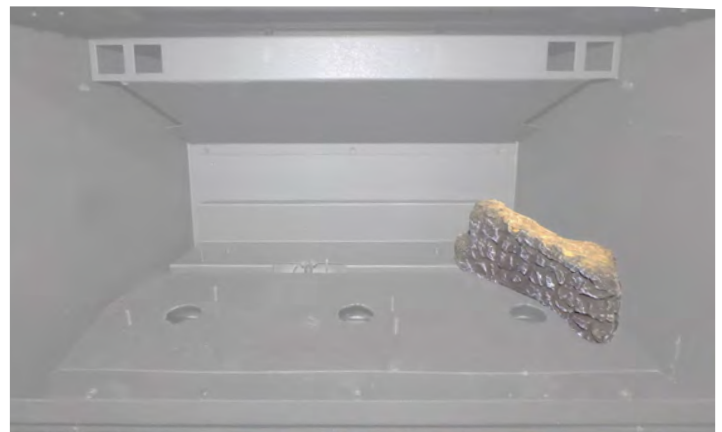


Figure 18.1.03: Log 2 Installed

Installation

Step 3: Place Log #2 at the back of the firebox. The left side rests on the locator pin in the back-left corner of the burner. The right side rests on the back side of Log #1.



Figure 18.1.04:

Step 4: Place a single row of black embers along the burner ports at the back of the burner. Avoid using embers with flat surfaces. Do not block burner ports. Do not block the pilot.



Figure 18.1.05:

Step 5: The platinum embers are located in the bag with the instruction manual. Pull the platinum embers into small pieces before placing them.



Figure 18.1.06:

Step 6: Randomly place some platinum embers on top of the black embers.



Figure 18.1.07:

Step 7: Place Log #3 on the locator pins on the left side of the burner.



Figure 18.1.08:

Step 8: Place Log #4 on the two locator pins in the middle of the burner.

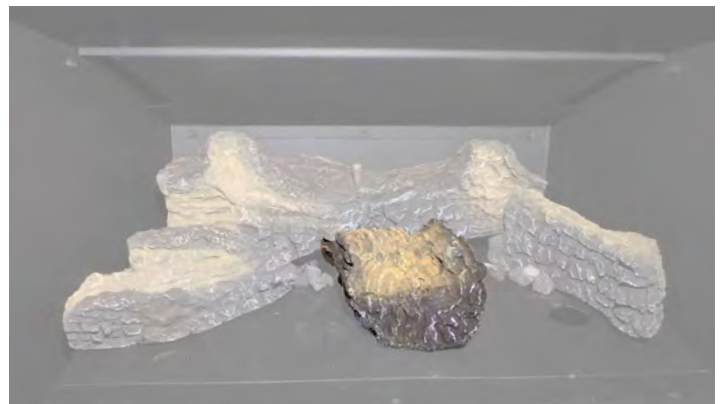


Figure 18.1.09:

Installation

Step 9: Fill the burner with black embers, leaving the two areas indicated clear for the remaining logs. Do not block burner ports. Do not pile or stack the embers.

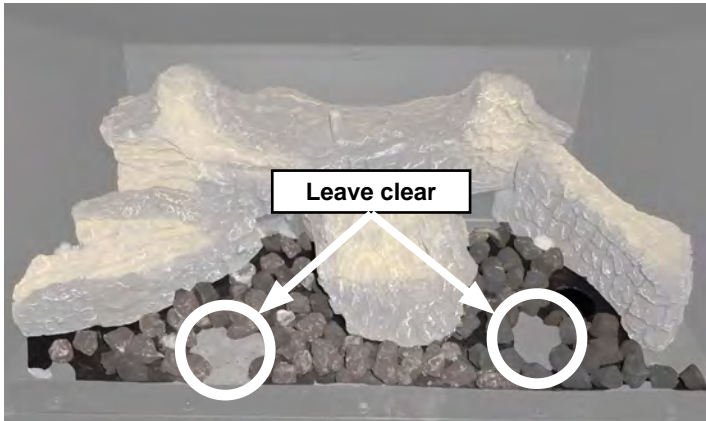


Figure 18.1.10:

Step 10: Place the back end of Log #6 on the locator pin in Log #2. The front end of Log #6 rests in the space left in Step 9.



Figure 18.1.12:

Step 10: Place platinum embers randomly over the black embers.



Figure 18.1.11:

Step 11: Place the back end of Log #5 on Log #2. The front end of Log #5 rests in the space left in Step 9.



Figure 18.1.13:

Step 12: Finally, place the grate in front of the burner. When installed correctly, the grate will not extend outside the front of the fireplace.

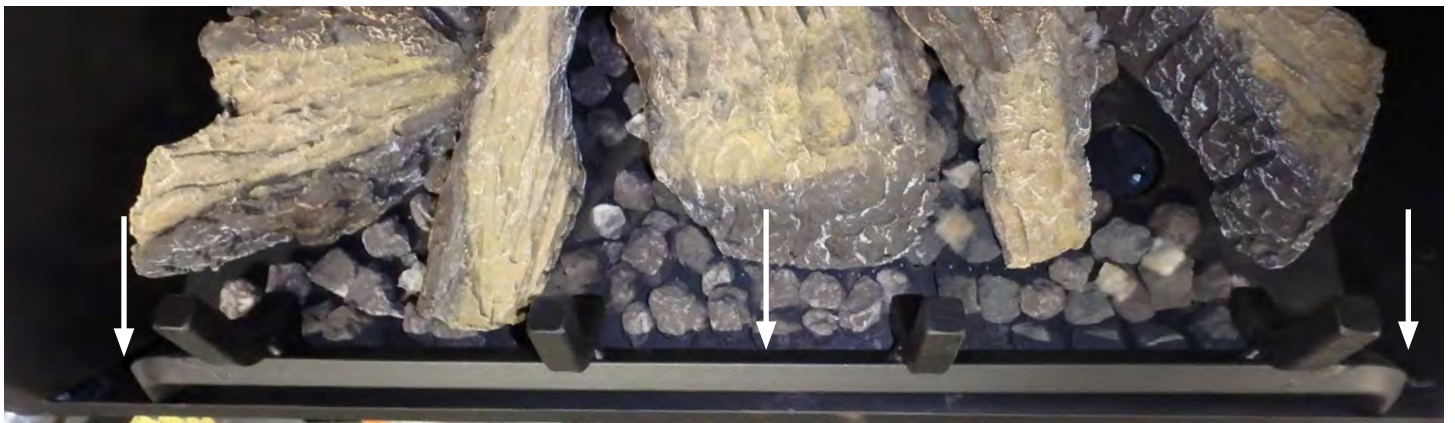


Figure 18.1.14:

Installation

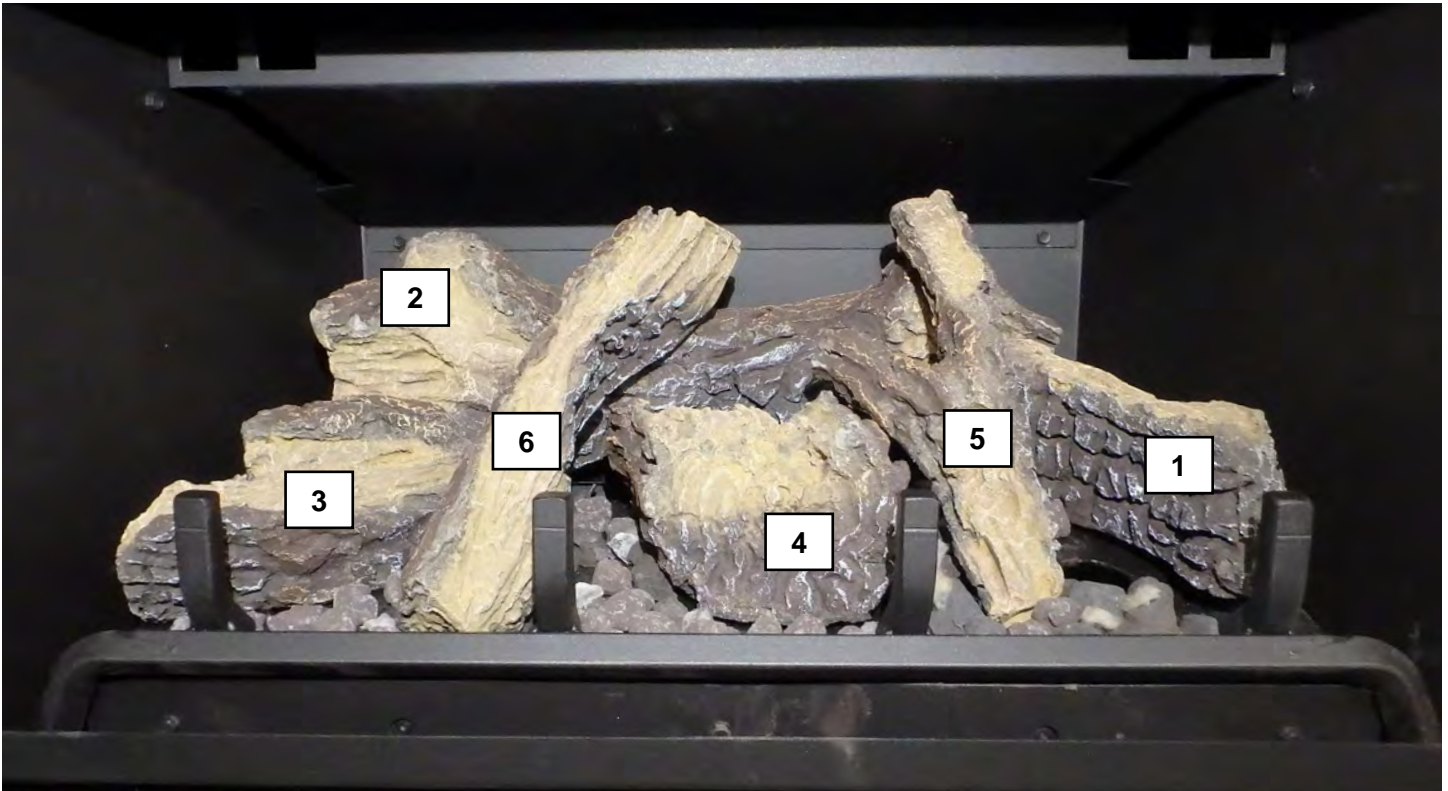


Figure 18.1.15:

| Part # | Item Description | Qty |
|------------|-----------------------|-----|
| 310-6222 | 6 Piece Log Set | 1 |
| 310-6222-1 | Log 1 (right side) | 1 |
| 310-6222-2 | Log 2 (rear) | 1 |
| 310-6222-3 | Log 3 (front left) | 1 |
| 310-6222-4 | Log 4 (middle center) | 1 |

| Item # | Item Description | Qty |
|------------|--------------------------|-----|
| 310-6222-5 | Log 5 (center right) | 1 |
| 310-6222-6 | Log 6 (center left) | 1 |
| 310-0020 | Black Embers (2 cup bag) | 1 |
| 310-0019 | Platinum Embers (1 bag) | 1 |

WARNING

Never use unapproved burner media such as rock wool or similar material. The use of unapproved burner media may cause damage or injury and will void product warranty.

19.0 Operation

19.1 Before Lighting

WARNING: If you do not follow these instructions exactly, a fire or explosion may result causing property damage, personal injury or loss of life. Do not operate the appliance with the glass front removed, cracked or broken. Replacement of broken glass should be done by a licensed or qualified service person.

Each Ambiance Gas Fireplace is checked and tested at the factory prior to being packaged and shipped to our dealers and finally installed in your home. Ambiance recommends that before leaving this unit with the customer, the installer must ensure that the appliance is firing correctly and that the electrical system is in working order. This will include:

1. Perform leak tests of supply line, gas control valve, supply line from gas control valve and pilot assembly.
2. Clocking the appliance to ensure the correct firing rate (see **Section 11.0** of this manual).
3. If required, adjusting the primary air to burner to ensure that the flame does not carbon or soot.
4. Check for proper operation including correct drafting.
5. The fireplace should be turned ON to ensure that the fan is working correctly (if installed). After the system has been checked and confirmed that the fan is in working order, refer to the instructions for FIRST FIRE located in this manual.

Use the installation checklist in **Section 5.0** to ensure all installation steps have been completed.

Note: Any alteration to this product that causes carbon or soot deposits that results in any damage or requires cleaning is not the responsibility of the manufacturer.

Do not store or use gasoline or other flammable vapors and liquids in the vicinity of this or any other appliance.

WHAT TO DO IF YOU SMELL GAS:

- Do not try to light any appliance.
- Do not touch any electrical switch; do not use any phone in your building.
- Immediately call your gas supplier from a neighbor's phone. Follow the gas supplier's instructions.
- If you cannot reach your gas supplier, call the fire department.

Installation and service must be performed by a qualified installer, service agency or the gas supplier.

1. **BEFORE LIGHTING**, smell all around the appliance area for gas. Be sure to smell next to the floor, because some gasses are heavier than air and will settle on the floor.
2. **IF YOU SMELL GAS**, follow the instructions as listed directly above or as shown on the front cover of this manual.
3. Do not use this appliance if any part has been under water. Immediately call a qualified service technician to inspect the appliance and to replace any part of the control system and any gas control which has been under water.

19.2 First Fire

When operated for the first few times, the appliance will emit some odor and fumes. This is due to the heat from the appliance evaporating the oils and solvents used in fabricating the appliance. Close off the room to the rest of the house and open all windows. Keep the room well ventilated, as smoke alarm may sound. Run the appliance for at least 6 hours at maximum setting with blower set to OFF to allow paint to cure (after the installer has checked to ensure the fan is operational). Smoke and fumes caused by the curing process may cause discomfort to some individuals. Clean the glass door after this curing process has completed (see **Section 20.1**). Be sure there are no fingerprints left on the glass panels as high temperatures can bake these prints on permanently.

If the fireplace has been installed according to the instructions in this manual, light the fireplace by performing the following steps:

19.3 Lighting Instructions

The following information may be found on the fireplace rating plate. See **Section 6.1** for the rating plate location.

FOR YOUR SAFETY READ BEFORE LIGHTING
POUR VOTRE SÉCURITÉ VEUILLEZ LIRE AVANT L'ALLUMAGE

WARNING: If you do not follow these instructions exactly, a fire of explosion may result causing property damage, personal injury or loss of life.

AVERTISSEMENT: Quiconque ne respecte pas à la lettre les instructions dans la présente notice risque de déclencher un incendie ou une explosion entraînant des dommages, des blessures ou la mort.

A. This appliance has a pilot which must be lighted by manual spark igniter. When lighting the pilot, follow these instructions exactly.

B. BEFORE LIGHTING smell all around the appliance area for gas. Be sure to smell next to the floor because some gas is heavier than air and will settle on the floor.

WHAT TO DO IF YOU SMELL GAS

- Do not try to light any appliance.
- Do not touch any electrical switch; do not use any phone in your building.
- Immediately call your gas supplier from a neighbor's phone. Follow the gas supplier's instructions
- If you cannot reach your gas supplier, call the fire department.

C. Use only your hand to push in or turn the gas control knob. Never use tools. If the knob will not push in or turn by hand, do not try to repair it, call a qualified service technician. Force or attempted repair may result in a fire or explosion.

D. Do not use this appliance if any part has been under water. Immediately call a qualified service technician to inspect the appliance and to replace any part of the control system and any gas control which has been under water.

A. Cet appareil est muni d'une veilleuse qui doit être allumée par allumeur manuel. Respectez les instructions ci-dessous à la lettre.

B. AVANT D'ALLUMER la veilleuse, reniflez tout autour de l'appareil pour déceler une odeur de gaz. Reniflez près du plancher, car certains gaz sont plus lourds que l'air et peuvent s'accumuler au niveau du sol.

QUE FAIRE SI VOUS SENTEZ UNE ODEUR DE GAZ:

- Ne pas tenter d'allumer d'appareil
- Ne touchez à aucun interrupteur; ne pas vous servir des téléphones se trouvant dans le bâtiment
- Appelez immédiatement votre fournisseur de gaz depuis un voisin. Suivez les instructions du fournisseur.
- Si vous ne pouvez rejoindre le fournisseur, appelez le service des incendies.

C. Ne pousser ou tourner la manette d'admission du gaz qu'à la main. Ne jamais employer d'outil à cette fin. Si la manette reste coincée, ne tentez pas de la réparer; appelez un technicien qualifié. Quiconque tente de forcer la manette ou de la réparer peut provoquer une explosion ou un incendie.

D. N'utilisez pas cet appareil s'il a été plongé dans l'eau, même partiellement. Faites inspecter l'appareil par un technicien qualifié et remplacez toute partie du système de contrôle et toute commande qui ont été longés dans l'eau.

LIGHTING INSTRUCTIONS
INSTRUCTION D'ALLUMAGE

1. STOP! Read the safety information above on this label.
2. Set the wall switch to "OFF".
3. Turn off all electric power to the appliance.
4. Open lower louvers or remove trim and barrier screen.
5. Press slightly and turn the control knob clockwise to the "OFF" position. Open gas isolation valve.
6. Wait 5 minutes to clear out any gas. Then smell for gas, including near the floor. If you smell gas, STOP! and follow "B" in the safety information above (and to the left) on this label. If you do not smell gas, go to the next step
7. Find pilot. It is adjacent to the burner and may be partially concealed by a decorative cover.
8. Press slightly and turn control knob counterclockwise to "PILOT". Depress knob and light pilot by repeatedly pressing the igniter. Once flame is established, hold knob depressed for approximately 30 seconds. Release knob. If pilot should go out, repeat steps 3 to 8.
 - If the knob does not pop up when released, stop and immediately call your service technician or gas supplier.
 - If the pilot will not stay lit after several tries, turn the gas control knob to "OFF" and call your service technician or gas supplier.
9. Turn the control knob counterclockwise to the "ON" position.
10. Set the wall switch to "ON".
11. Turn on all electric power to the appliance.
12. Close louver or replace trim and the barrier screen.

1. ARRÊTEZ! Lisez les instructions de sécurité sur la portion supérieure (à gauche) de cette étiquette.
2. Réglez le commutateur à distance sur "OFF".
3. Coupez l'alimentation électrique de l'appareil.
4. Ouvrez persiennes inférieures ou porte d'accès.
5. Appuyez légèrement et tournez le bouton de commande dans le sens horaire à la position "OFF". vanne d'isolement de gaz ouverte.
6. Attendre cinq (5) minutes pour laisser échapper tout le gaz. Reniflez tout autour de l'appareil, y compris près du plancher, pour déceler un odeur de gaz. Si vous sentez une odeur de gaz, ARRÊTEZ! Passez à l'étape B des instructions de sécurité sur la portion supérieure (à gauche) de cette étiquette. S'il n'y a pas d'odeur de gaz, passez à l'étape suivante.
7. Trouver pilote. Il est adjacent au brûleur et peut être partiellement masqué par un couvercle décoratif.
8. Appuyez légèrement et tournez le bouton de commande vers la gauche pour "PILOT". Enfoncez le bouton et la veilleuse en appuyant plusieurs fois sur la allumeur. Une fois que la flamme est établie, maintenez le bouton enfoncé pendant environ 30 secondes. bouton de sortie. Si pilote doit sortir, répétez les étapes 3 à 8.
 - Si la manette ne se soulève pas d'elle-même lorsqu'on la relâche, arrêter et appeler immédiatement un technicien qualifié ou le fournisseur de gaz.
 - Si la veilleuse ne reste pas allumée après plusieurs tentatives, réglez la manette d'admission du gaz à la position OFF et appelez un technicien qualifié ou le fournisseur de gaz.
9. Tournez le bouton de commande dans le sens antihoraire à la position "ON".
10. Allumez l'alimentation électrique de l'appareil.
11. Réglez le commutateur à distance sur "ON".
12. Persienne fermée ou porte d'accès.

SIT 820 / SIT 821

RobertShaw 7000MVRB-5-LC / Dexen 6003 KS NAT

Spark igniter/ spark allumeur Thermopile

Thermocouple Igniter / Allumeur

Flame Adjustment / Réglage de la flamme

TO TURN OFF GAS TO APPLIANCE
COMMENT COUPER L'ADMISSION DE GAZ DE L'APPAREIL

1. Set the wall switch to "OFF".
2. Turn off all electric power to the appliance if service is to be performed.
3. Open lower louvers or remove trim.
4. Press slightly and turn control knob clockwise to "OFF". Do not force. Close gas isolation valve.
5. Close lower louvers or replace trim.

1. Réglez le commutateur à distance sur "OFF".
2. Coupez l'alimentation électrique de l'appareil s'il faut procéder à l'entretien.
3. Ouvrez persiennes inférieures ou porte d'accès.
4. Appuyez légèrement et tournez le bouton de commande dans le sens horaire à la position "OFF". vanne d'isolement de gaz à proximité
5. Persienne fermée ou porte d'accès.

Figure 19.3.01:

19.4 Lighting The Fireplace

Before you begin:

- Read the instructions fully before starting
- Ensure the fireplace is off and cool before lighting the pilot
- Flip down the control access cover (see Section 6.4)

Step 1: Make sure the On/Off switch on the surround is in the OFF position and the thermostat (if installed) is turned all the way down.



Figure 19.2.01:

Step 3: Gently depress the knob and turn counter-clockwise to the PILOT position.



Figure 19.2.03:

Step 5: When 30 seconds has passed, release the button. Wait 60 seconds and then turn the knob to the ON position.



Figure 19.2.05:

Step 2: The valve should be in the OFF position.



Figure 19.2.02:

Step 4: Push and hold the knob while pressing the igniter. Press the igniter until the pilot lights - continue to hold the knob for 30 seconds.

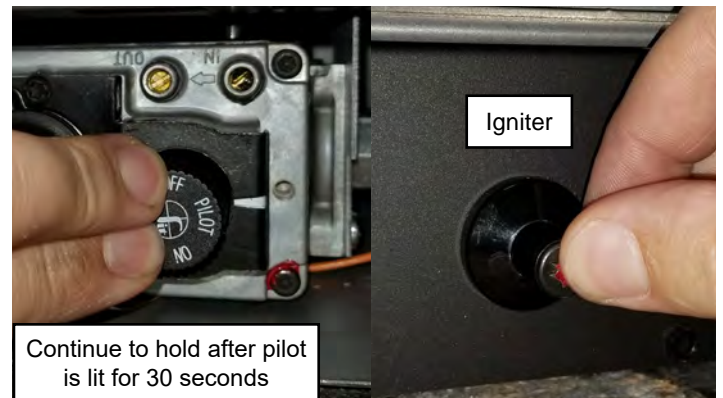


Figure 19.2.04:

Step 6: Flip the ON/OFF switch on the surround to the ON position and turn the thermostat (if installed) to the desired temperature. This will turn on the main burner.



Figure 19.2.06:

Operation

Step 7: Turn the hi - lo button to adjust the height of the burner flame.



Figure 19.2.07:

Note: Once the pilot is lit, the main burner is controlled using the on/off wall switch or thermostat.

WARNING:
NEVER operate this appliance with the barrier screen removed.

ATTENTION:
The SIT 821 valve is equipped with a 7 day Pilot on Demand (POD) timer. If you have this version of the fireplace, the pilot will automatically shut itself off after 7 days of no main burner activity.

See the rating label on your appliance for further information.

Operating the Optional Fan

If you have the optional fan kit installed, the thermal switch will engage the fan within up to 15 minutes of lighting the fireplace. The fan speed is controlled using a dial located behind the control access cover (see **Section 6.4**). The following instructions describe how to adjust the fan speed.

Before you begin:

- Read the instructions fully before starting
- Ensure the fireplace is off and cool before starting
- Flip down the control access cover (see **Section 6.4**)

Step 1: With the mark all the way to left (counter-clockwise), turn the dial clockwise until you hear a "click". The fan is now engaged.

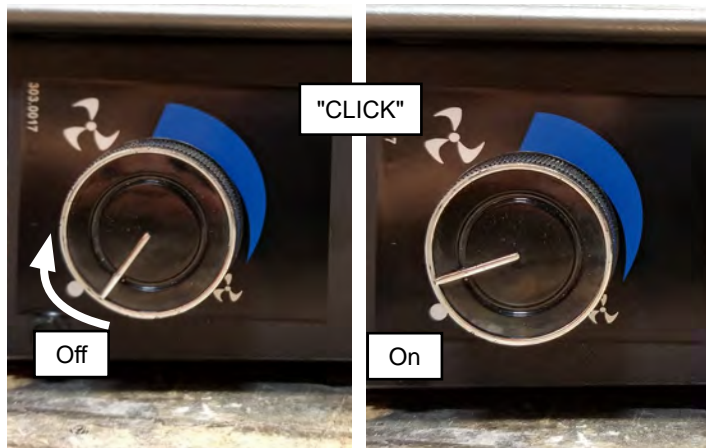


Figure 19.2.08:

Step 2: Turn the dial clockwise to reduce the speed of the fan. Turn counter-clockwise to increase the speed of the fan.

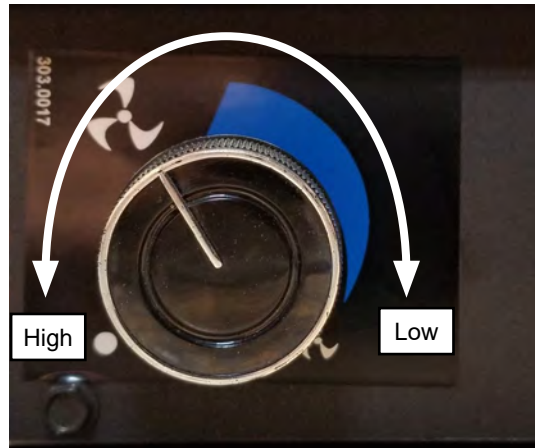


Figure 19.2.09:

WARNING:
NEVER operate this appliance with the barrier screen removed.

20.0 Maintenance

CAUTION:

Do not conduct maintenance on the appliance while it is operating or while it is still hot. Always verify proper operation after servicing.

20.1 Cleaning and Routine Maintenance

The exterior painted surfaces, glass, and metal plated trims may be cleaned with a soft, non-abrasive cloth and water or a suitable, mild, non-abrasive cleaner. Be sure there are no fingerprints left on the glass panels as high temperatures can bake these prints on permanently.

Regularly:

- Frequent cleaning of the ceramic glass is recommended. We recommend using a good quality ammonia free gas fireplace glass cleaner that is available at any hearth retail location. Take care to avoid scratching glass while cleaning. **DO NOT CLEAN WHILE HOT.** Never use common household cleaners to clean the glass.
- Keep the appliance area free from combustible materials, such as paper, wood, clothing, gasoline and flammable solids, liquids and vapors.
- Visually check the height and color of the burner and pilot flames.
- Touch up the paint when required using a high temperature metallic black paint. Allow the paint to dry prior to lighting the fireplace.

Once a year, have a qualified service technician:

- Perform the regular services listed above.
- Inspect and operate the pressure relief mechanism (door buckles) to verify they are free from obstruction and operate properly.
- Carefully remove the logs and gently brush off any loose carbon deposits. This job is best done outside the house, wearing a dust mask. The logs are very fragile, take care not to break them. Do not wash logs with any liquid. While the logs are removed, check that all burner openings are not obstructed and it is recommended you use a vacuum cleaner to clean off any dust or lint.
- Vacuum and clean any lint accumulations or debris in the firebox, on the burners, on the pilot, at the primary air opening, on the convection air blower and in any combustion and convection air passageways.
- After cleaning, the logs and embers must be replaced according to the instructions in this manual.
- Inspect the operation of the flame safety system pilot and gas valve.
- Inspect and ensure the lighting of the main burner occurs within 4 seconds of the main gas valve opening. Flames should match those shown in **Figure 20.5.01**.
- Completely inspect the appliance and the venting system, if the vent pipe or seal is found to be defective, replace and or reseal (follow the instructions found in the venting instructions, **Section 13.0**).
- Inspect the condition of the vent and vent terminal for sooting or obstruction and correct if present.
- Test and measure the flame failure response time of the flame safety system. It must de-energize the safety shutoff in no more than 30 seconds.
- Check all accessible gas-carrying tubes, connections, pipes and other components for leaks.

WARNING: All parts removed or disturbed, including guards and grills, must be properly replaced after maintenance. Service and repair must be conducted by a qualified service person. If these instructions are not followed, a fire or explosion may result, causing property damage, personal injury or loss of life.

20.2 Servicing Under Warranty

All service work under warranty must be conducted by a qualified Archgard service technician. Before servicing, read the terms and conditions of the warranty at the back of this manual. Contact the authorized Archgard dealer where you purchased the appliance from and provide them with details of the problem, along with the initial installation information (from the front of this manual).

WARNING: Servicing of this appliance **must be conducted by a qualified Archgard service technician**. Improper servicing, adjustment or alteration of this appliance may cause property damage, personal injury or loss of life. All servicing should be conducted with the appliance cold. All replacement parts must be authorized by Archgard for suitability.

20.3 Checking Inlet and Outlet Pressure

1. Flip down the control access cover (see **Section 6.4**).
2. The pressure test taps are located on the valve's front face. The inlet is marked "IN" and the outlet is marked "OUT". See **Figure 20.3.01**.
3. Loosen the set screw inside the tap with a 3/16" flathead screwdriver.
4. Connect a 1/4" (6 mm) rubber tube to the tap post and a manometer.
5. Verify that the readings obtained are within specs (as shown on the appliance rating plate)
6. Be sure to tighten the set screw inside the tap after you have finished taking pressure readings.
7. Check for leaks.

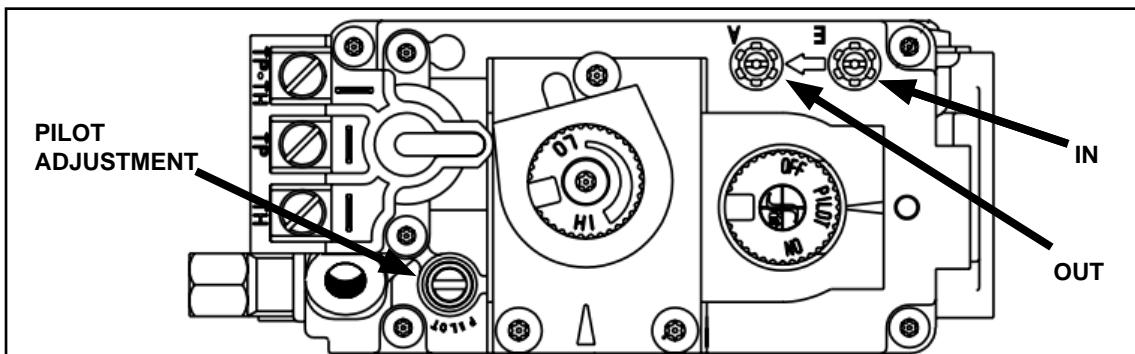


Figure 20.3.01

20.4 Checking and Adjusting Pilot

The pilot flames should have the characteristics shown in the illustration to the right.

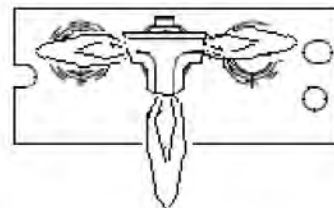


Figure 20.4.01

The flame should not have yellow tips but should engulf the flame sensor and spark electrode. It can be adjusted by turning the screw marked "pilot" on the control valve (See **Figure 20.3.01**).

It may be necessary to remove the pilot cover for a better view of the pilot flame (see next page).

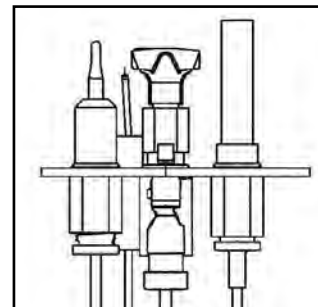


Figure 20.4.02

20.5 Adjusting the Primary Air

The 22-DVIM22LN-1 includes an air shutter located underneath the firebox of the fireplace which may be used to adjust the primary air to achieve the ideal flame as shown in **Figure 20.5.01**. To adjust, loosen the wing nut securing the air shutter in place as shown in **Figure 20.5.02**. To open the air shutter and increase air flow to the burner, pull the adjuster to the front of the fireplace. To close the air shutter and decrease air flow to the burner, push the adjuster to the back of the fireplace.

CAUTION: Do not adjust primary air below specified opening on the rating plate.

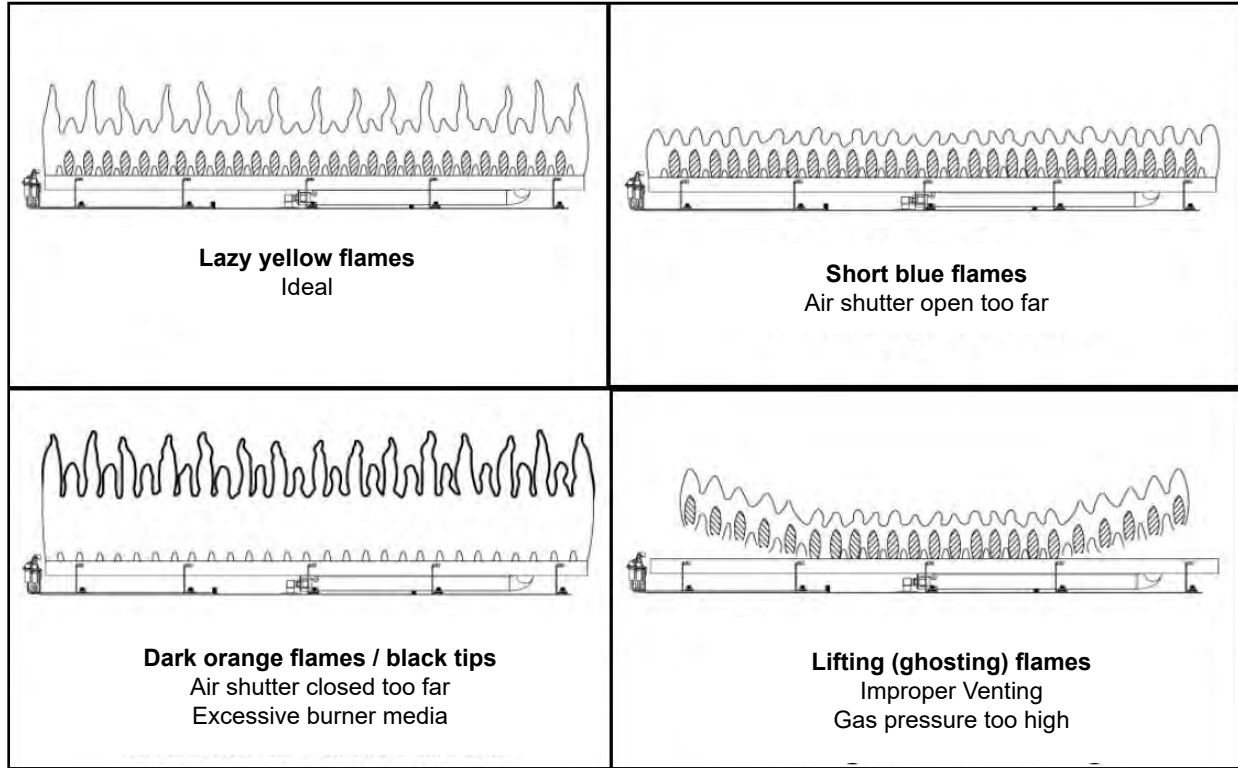


Figure 20.5.01:

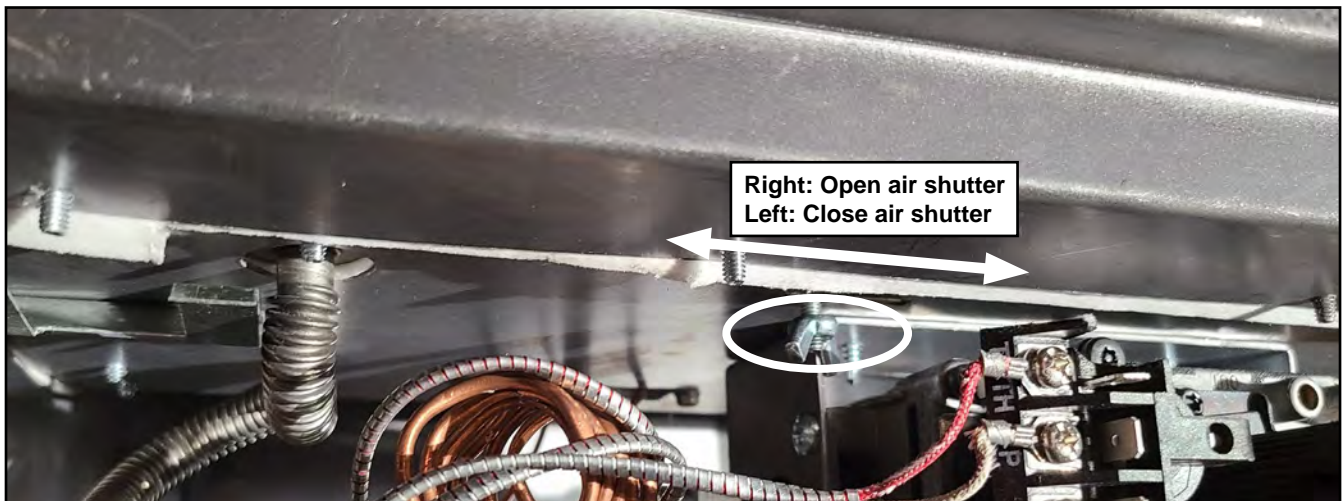


Figure 20.5.02:

WARNING: Servicing of this appliance **must be conducted by a qualified service technician**. Improper servicing, adjustment or alteration of this appliance may cause property damage, personal injury or loss of life. All servicing should be conducted with the appliance cold. All replacement parts must be authorized by Archgard for suitability.

20.6 Replacing the Burner

WARNING: Servicing of this appliance **must be conducted by a qualified service technician**. Improper servicing, adjustment or alteration of this appliance may cause property damage, personal injury or loss of life. All servicing should be conducted with the appliance cold. All replacement parts must be authorized by Archgard for suitability.

Before you begin:

- Ensure the fireplace is off and cool before servicing
- Ensure the gas supply is turned OFF and disconnect the power supply
- Remove the fireplace surround (recommended) or open the control access cover. See **Section 6.4** and **Section 16.0**
- Remove barrier screen. See **Section 14.0**
- Remove glass door. See **Section 15.0**
- Remove burner media. See **Section 18.0**
- Remove panel set (if applicable). See **Section 17.0**

Step 1: Remove and retain the wing nut from the air shutter. Slide the air shutter all the way to the right.

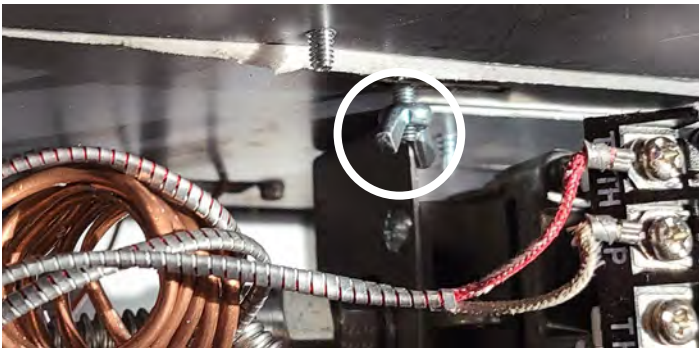


Figure 20.6.01:

Step 3: Slide the burner to the right and lift up on the right side to remove from the fireplace.



Figure 20.6.03:

Installation is the reverse of removal.

Note: It is easier to install the burner at eye level as the mixing tube must be placed over the orifice and the pin on the air shutter has to drop through the opening in the bottom of the firebox (see **Figure 20.6.05**).

With all parts reinstalled, light the fireplace and verify proper operation and flame pattern according to **Section 20.4** and **Section 20.5** of this manual.

Step 2: Remove the (2) tek screws securing the burner at the front corners.



Figure 20.6.02:

Step 4: Remove the air shutter from the burner mixing tube. This will be installed on the new burner during install.

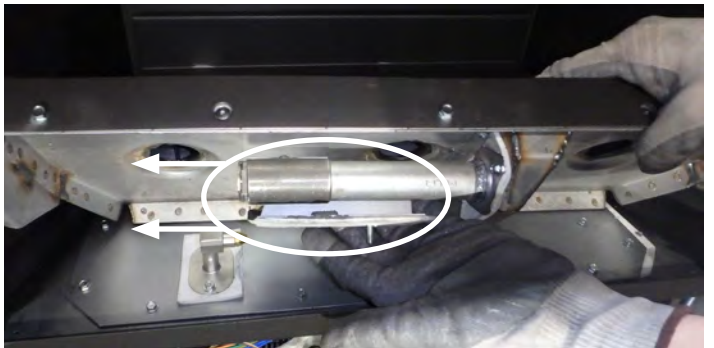


Figure 20.6.04:

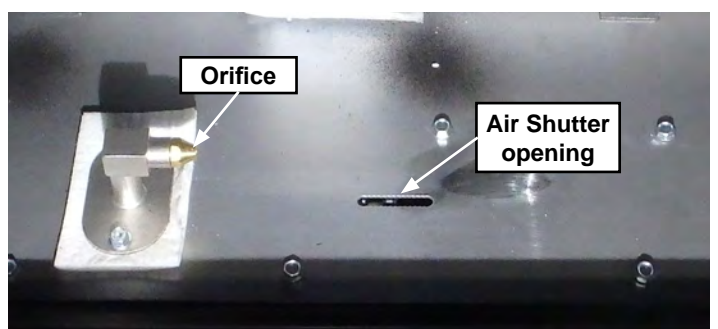


Figure 20.6.05:

20.7 Replacing the Pilot

WARNING: Servicing of this appliance **must be conducted by a qualified service technician.** Improper servicing, adjustment or alteration of this appliance may cause property damage, personal injury or loss of life. All servicing should be conducted with the appliance cold. All replacement parts must be authorized by Archgard for suitability.

CAUTION: Label all wires prior to disconnection when servicing controls. Wiring errors can cause improper and dangerous operation. Verify proper operation after servicing. This appliance, when installed, must be electrically grounded in accordance with local codes or, in the absence of local codes, with the **National Electrical Code, ANSI/NFPA 70, or the Canadian Electrical code, CSA C22.1.**

Before you begin:

- Ensure the fireplace is off and cool before servicing
- Ensure the gas supply is turned OFF and disconnect the power supply
- Remove the fireplace surround (recommended) or open the control access cover. See **Section 6.4** and **Section 16.0**
- Remove the barrier screen. See **Section 14.0**
- Remove glass door. See **Section 15.0**
- Remove burner media. See **Section 18.0**
- Remove panel set (if applicable). See **Section 17**
- Remove the burner. See **Section 20.6**

Step 1: Remove the two (2) 1/4" Tek Screws securing the pilot to the pilot extrusion. Pull the pilot up to access the bottom.



Figure 20.7.01:

Step 2: Use a 1/2" wrench to hold the pilot and a 7/16" wrench to remove the pilot gas line. If preferred, disconnect the pilot line from the valve. This gas line will be used for the new pilot.

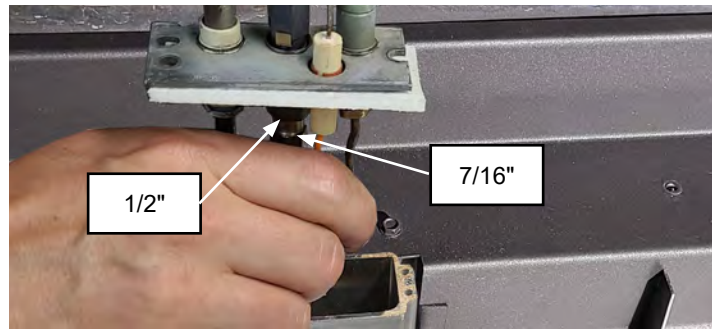


Figure 20.7.02:

Step 3: Mark and unplug the pilot wires from the control board.

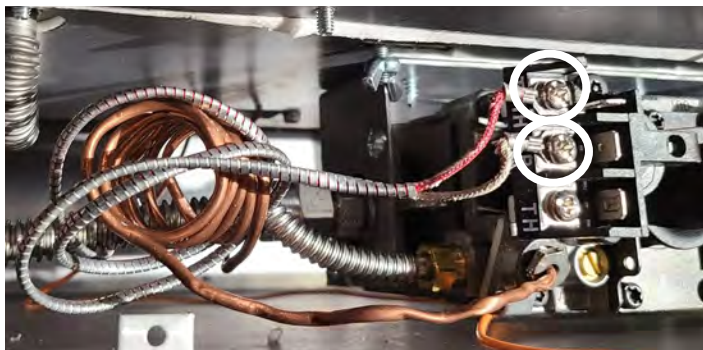


Figure 20.7.03:

Step 4: Remove the copper pilot line from the valve.

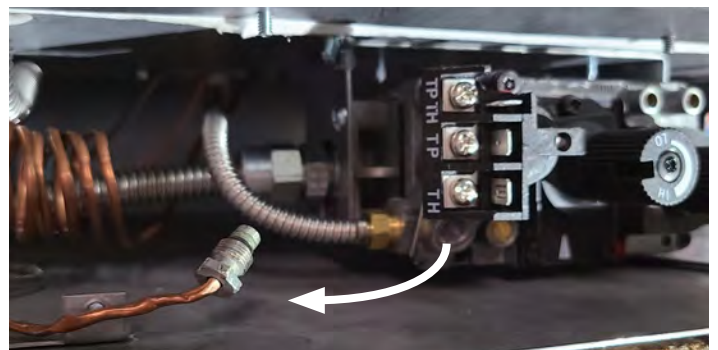


Figure 20.7.04:

Installation is the reverse of removal.

Tuck wires neatly down and away from the firebox upon installation.
Check for gas leaks when installation is complete.

20.8 Replacing the Valve

WARNING: Servicing of this appliance **must be conducted by a qualified service technician**. Improper servicing, adjustment or alteration of this appliance may cause property damage, personal injury or loss of life. All servicing should be conducted with the appliance cold. All replacement parts must be authorized by Archgard for suitability.

CAUTION: Label all wires prior to disconnection when servicing controls. Wiring errors can cause improper and dangerous operation. Verify proper operation after servicing. This appliance, when installed, must be electrically grounded in accordance with local codes or, in the absence of local codes, with the **National Electrical Code, ANSI/NFPA 70, or the Canadian Electrical code, CSA C22.1.**

Before you begin:

- Ensure the fireplace is off and cool before servicing
- Disconnect power supply to the fireplace and turn off gas supply
- Remove the fireplace surround (recommended) or open the control access cover. See **Section 6.4** and **Section 16.0**
- Remove barrier screen. See **Section 14.0**
- Remove glass door. See **Section 15.0**
- Remove burner media. See **Section 18.0**
- Remove panel set (if applicable). See **Section 17**
- Remove the burner. See **Section 20.6**
- Remove the Pilot. See **Section 20.7**

Step 1: Use a 7/16" wrench to remove the pilot line from the valve.

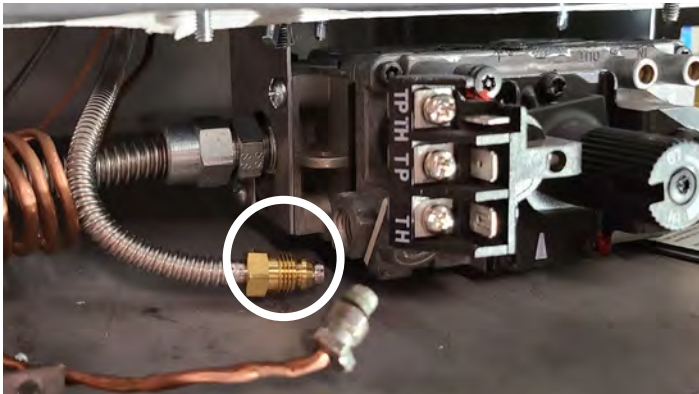


Figure 20.8.01:

Step 2: Use a 3/4" wrench to hold the fitting in the valve. Use a second 3/4" wrench to remove the burner gas line.



Figure 20.8.02:

Step 3: Use a 3/4" wrench to hold the fitting in the valve. Use a second 3/4" wrench to remove the gas inlet line.



Figure 20.8.03:

Step 4: Remove the (2) Tek screws securing the valve brackets to the firebox bottom.

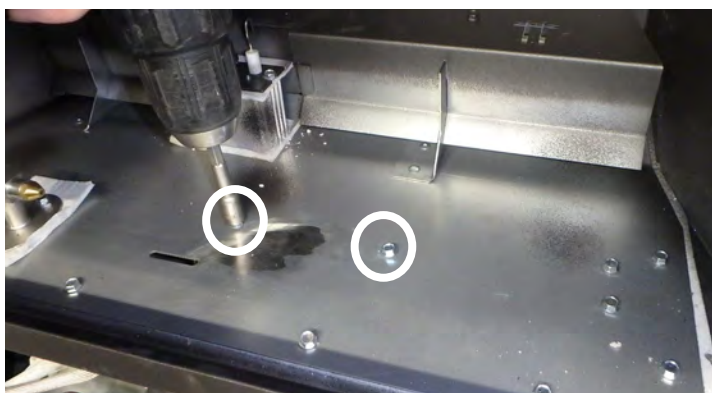


Figure 20.8.04:

Maintenance

Step 7: Remove the valve bracket from the valve. This will be used for the new valve upon installation.



Figure 20.8.05:

Installation is the reverse of removal.

Note: When reattaching the gas inlet line, brace the fitting on the opposite side of the gas valve. The handle on the gas valve must face the front of the fireplace when installed (see **Figure 20.8.03** and **Figure 20.8.06**).

Tuck wires neatly down and away from the firebox upon installation.

Check for gas leaks when installation is complete.

With all parts reinstalled, light the fireplace and verify proper operation and flame pattern according to **Section 20.4** and **Section 20.5** of this manual.



Figure 20.8.06:

20.9 Replacing the Piezo Igniter

WARNING: Servicing of this appliance **must be conducted by a qualified service technician**. Improper servicing, adjustment or alteration of this appliance may cause property damage, personal injury or loss of life. All servicing should be conducted with the appliance cold. All replacement parts must be authorized by Ambiance for suitability.

Before you begin:

- Ensure the fireplace is off and cool before servicing
- Ensure the gas supply is turned OFF and disconnect the power supply
- Flip down the control access cover (see Section 6.4)

Step 1: Remove the two (2) 1/4" Tek screws securing the piezo igniter bracket to the bottom of the fireplace shell.



Figure 20.09.01:

Step 2: Unplug the wire from the piezo igniter.

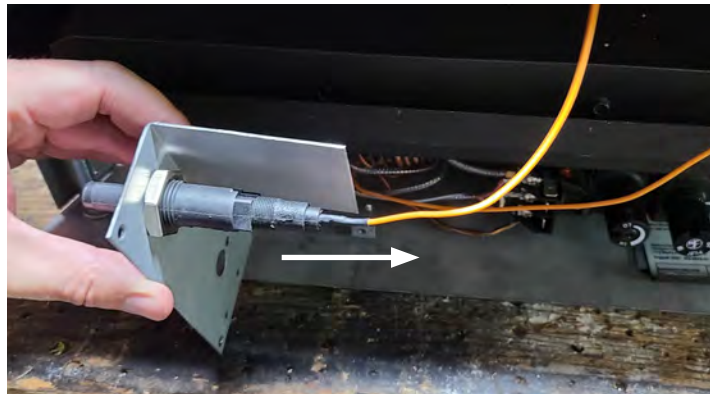


Figure 20.09.02:

Step 3: Remove the retaining nut from the back side of the bracket.

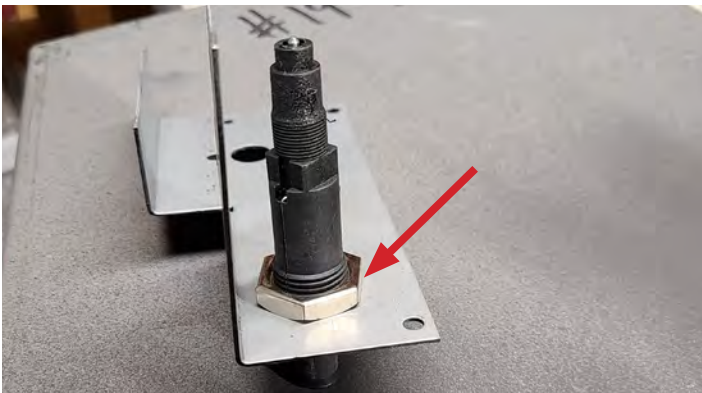


Figure 20.09.03:

Installation is the reverse of removal.

20.10 Replacing the Optional Fan

WARNING: Servicing of this appliance **must be conducted by a qualified service technician**. Improper servicing, adjustment or alteration of this appliance may cause property damage, personal injury or loss of life. All servicing should be conducted with the appliance cold. All replacement parts must be authorized by Ambiance for suitability.

CAUTION: Label all wires prior to disconnection when servicing controls. Wiring errors can cause improper and dangerous operation. Verify proper operation after servicing. This appliance, when installed, must be electrically grounded in accordance with local codes or, in the absence of local codes, with the **National Electrical Code, ANSI/NFPA 70, or the Canadian Electrical code, CSA C22.1.**

Before you begin:

- Ensure the fireplace is off and cool before servicing
- Disconnect power supply to the fireplace and turn off gas supply
- Remove the fireplace surround (recommended) or open the control access cover. See **Section 6.4** and **Section 16.0**
- Remove barrier screen. See **Section 14.0**
- Remove glass door. See **Section 15.0**
- Remove burner media. See **Section 18.0**
- Remove panel set (if applicable). See **Section 17**
- Pull the fireplace from the masonry opening (if installed)

Step 1: Remove the (9) screws on the back of the fireplace.



Figure 20.10.01:

Step 3: Remove the rear shell of the fireplace.

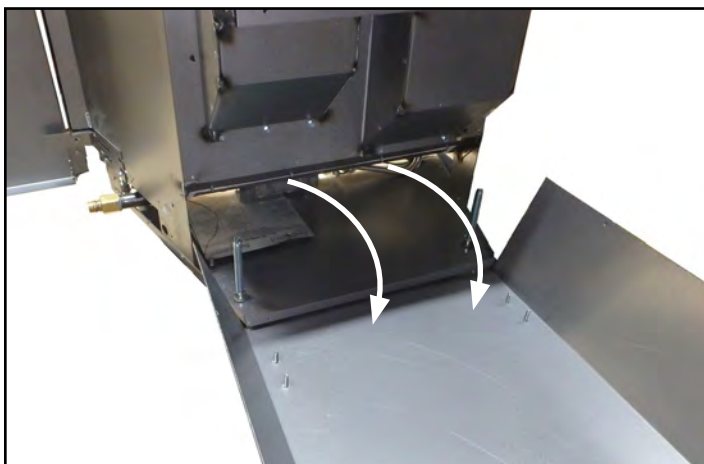


Figure 20.10.03:

Step 2: Remove the (3) screws on each side of the fireplace.



Figure 20.10.02:

Step 4: Remove the (4) wingnuts securing the old fan to the back of the fireplace.

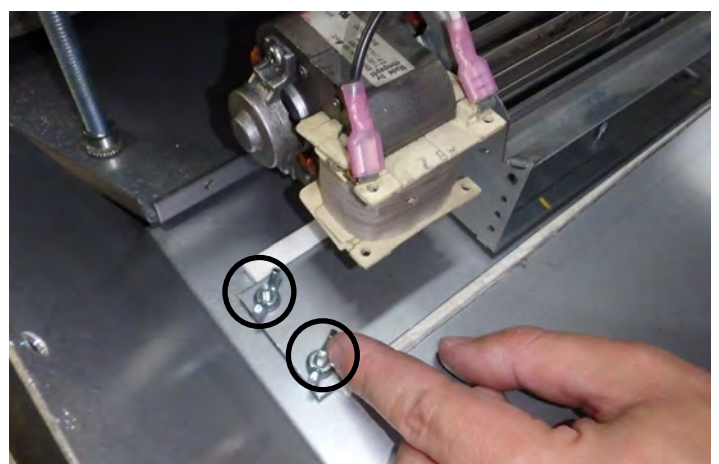


Figure 20.10.04:

Maintenance

Step 5: Unplug the fan wire.

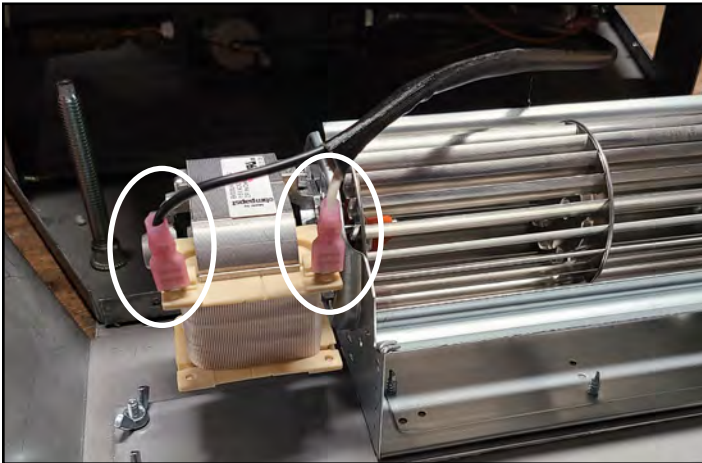


Figure 20.10.05:

Step 6: Remove the old fan from the fireplace. Save the insulation board to be used during installation of the new fan.

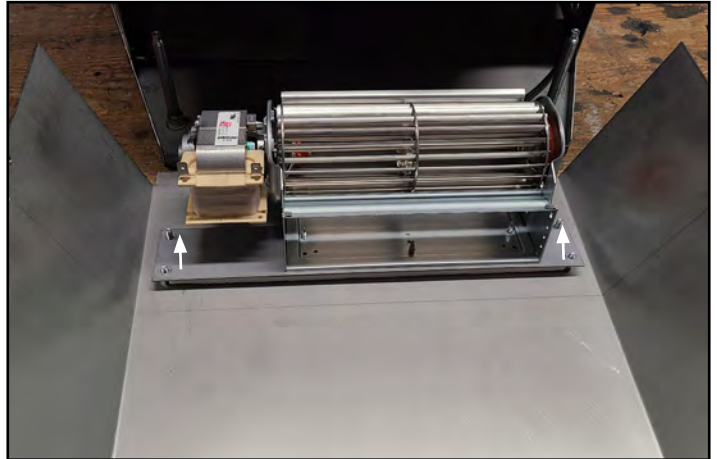


Figure 20.10.06:

Step 7: Remove the (3) Tek Screws holding the fan to the fan mounting bracket. The mounting bracket is used for the new fan.

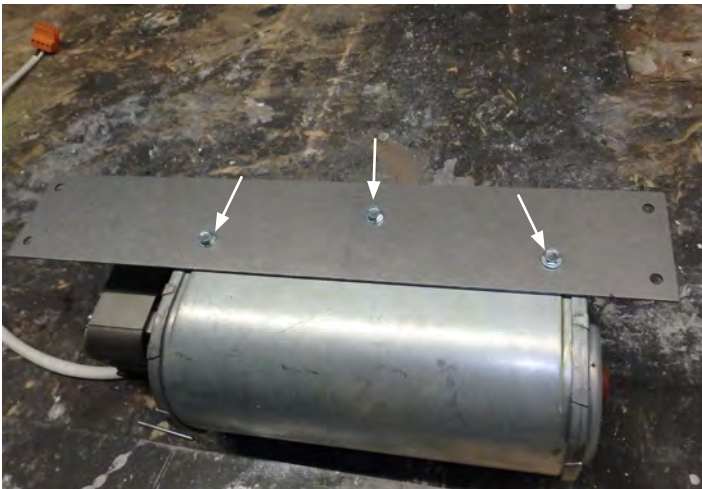


Figure 20.10.07:

Installation is the reverse of removal.

Tuck all wires neatly down and away from the firebox upon installation.

With all parts reinstalled, light the fireplace and verify proper operation and flame pattern according to **Section 20.4** and **Section 20.5** of this manual.

20.11 Replacing the Optional Fan Speed Control

WARNING: Servicing of this appliance **must be conducted by a qualified service technician**. Improper servicing, adjustment or alteration of this appliance may cause property damage, personal injury or loss of life. All servicing should be conducted with the appliance cold. All replacement parts must be authorized by Ambiance for suitability.

CAUTION: Label all wires prior to disconnection when servicing controls. Wiring errors can cause improper and dangerous operation. Verify proper operation after servicing. This appliance, when installed, must be electrically grounded in accordance with local codes or, in the absence of local codes, with the **National Electrical Code, ANSI/NFPA 70, or the Canadian Electrical code, CSA C22.1.**

Before you begin:

- Ensure the fireplace is off and cool before servicing
- Ensure the gas supply is turned OFF and disconnect the power supply
- Flip down the control access cover (see Section 6.4)

Step 1: Remove the fan power cord mounting bracket. Remove the fan speed control / piezo igniter bracket.



Figure 20.11.01:

Step 2: Remove the knob.



Figure 20.11.02:

Step 3: Remove the nut securing the fan speed control to the bracket.

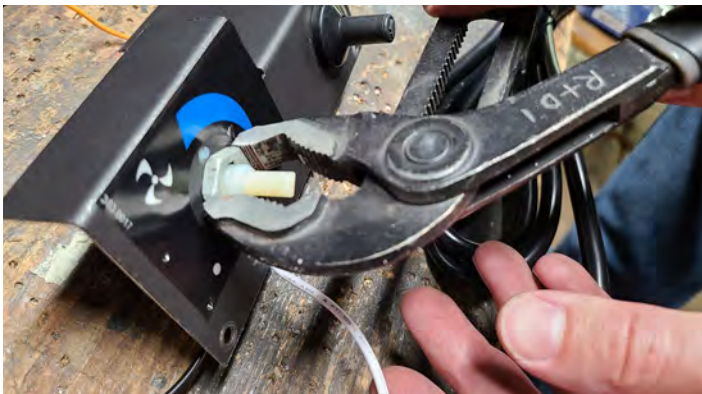


Figure 20.11.03:

Step 4: Unplug the fan speed control.

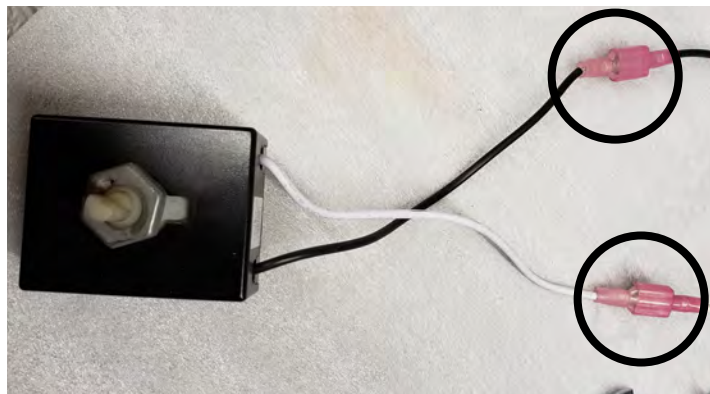


Figure 20.11.04:

Installation is the reverse of removal.
Note: Fan wires should point down upon install.

20.12 Replacing the Optional Fan Thermal Sensor

WARNING: Servicing of this appliance **must be conducted by a qualified service technician**. Improper servicing, adjustment or alteration of this appliance may cause property damage, personal injury or loss of life. All servicing should be conducted with the appliance cold. All replacement parts must be authorized by Ambiance for suitability.

CAUTION: Label all wires prior to disconnection when servicing controls. Wiring errors can cause improper and dangerous operation. Verify proper operation after servicing. This appliance, when installed, must be electrically grounded in accordance with local codes or, in the absence of local codes, with the **National Electrical Code, ANSI/NFPA 70, or the Canadian Electrical code, CSA C22.1.**

Before you begin:

- **Ensure the fireplace is off and cool before servicing.**
- **Disconnect power supply to the fireplace and turn off gas supply.**
- Flip down the control access cover (see **Section 6.4**)

Step 1: The thermal sensor is located under the firebox. Begin by removing the fan power cord mounting bracket and fan speed control / piezo igniter bracket.

Step 2: Pull the sensor from under the firebox. Mark each wire and disconnect.

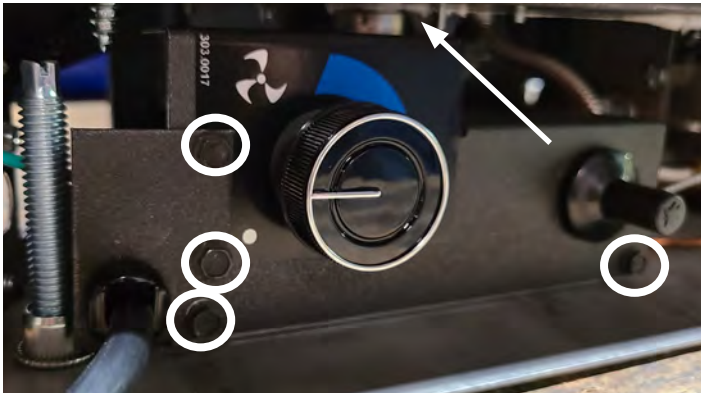


Figure 20.12.01:

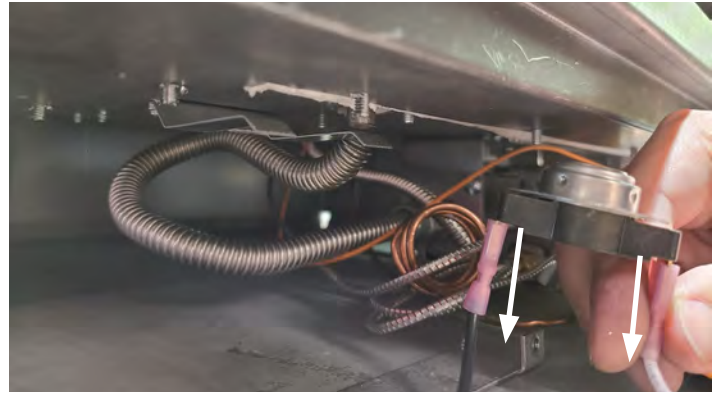


Figure 20.12.02:

Step 3: Installation is the reverse of removal. Light the fireplace and verify proper operation of fan to complete replacement.

20.13 Wiring Schematic

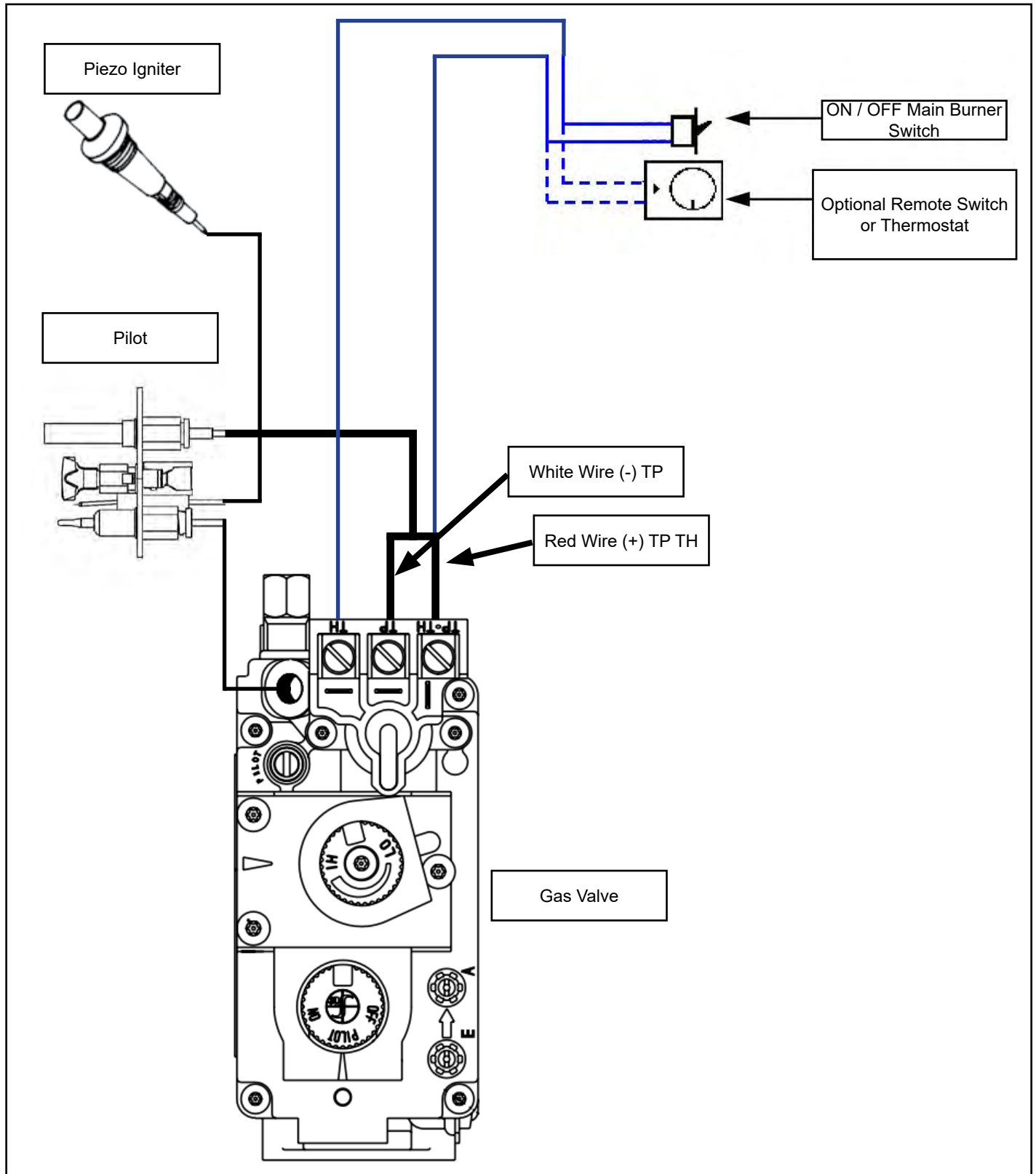


Figure 20.13.01:

Maintenance

20.14 Troubleshooting

Please check to make sure the instructions are followed exactly before attempting troubleshooting of the appliance.

WARNING: Troubleshooting and servicing of gas and electrical devices of the appliance should only be conducted by a qualified service technician.

| SYMPTOM | ACTION |
|---|---|
| Pilot will not light after pressing the sparker many times. | <ol style="list-style-type: none"> When lighting the appliance for the first time after installation or after servicing, there is air in the gas line. It takes a while for all of the air to purge out of the pilot before gas can reach the pilot and ignite. Remove the glass door and press the igniter many times while holding the pilot knob down to purge the air. Check to make sure the gas supply to the appliance is turned on and there is adequate gas supply pressure to the appliance. Check for sparks between the spark electrode and the pilot head when the sparker is pressed. If there are no sparks: <ol style="list-style-type: none"> Check for broken or poor connection from the sparker to the electrode. Check for the spark shorting or arcing at other locations. Check for defective sparker. Check for defective spark electrode. With the door removed, try lighting the pilot with a match. <ol style="list-style-type: none"> If air is blowing on the flame of the match, hold the control knob in at the 'PILOT' setting until all the air is purged out of the line. If there is no gas or air coming out of the pilot and there is gas pressure to the appliance, the pilot orifice may be blocked or the gas valve may be defective. |
| Pilot will not remain on after being lit. | <ol style="list-style-type: none"> Press the control knob all the way in (at the "pilot" indicator). Hold the control knob in for a longer period of time. If you are trying to re-light the pilot immediately after you have shut-off the pilot, you have to wait 60 seconds for the valve to reset (safety system built into the valve). Check for poor connection of the thermocouple to the valve. Check for proper voltage of the thermocouple. The thermocouple should generate at least 20 mV or it is defective. Check for defective gas valve. |
| The main burner does not turn on with the pilot lit. | <ol style="list-style-type: none"> Check to make sure the control knob is turned to the 'ON' position. Allow enough time for the pilot to heat up the thermopile to generate sufficient voltage to activate the valve. Check to make sure the wall switch is on thermostat (if installed) is set high enough to turn on the appliance. Check that the remote switch or the thermostat is turned on. Check to see if the pilot flame is large enough to reach and surround the thermopile. If the flame is too small, check for correct gas supply pressure. If pressure is good, adjust the pilot flame size with the adjustment screw on the valve. If the flame cannot be adjusted, there might be some debris obstructing the pilot orifice, or an incorrect size pilot orifice setting. Check all connections to the valve for tight electrical contact. Check for 400-500 mV from the thermopile with the burner off and 185-250 mV with the burner on. If the voltages are lower, the thermopile is defective. Check for defective gas valve. |
| The main burner shuts off when the appliance is warm. | <ol style="list-style-type: none"> This may be the normal operation of a wall thermostat installed to appliances. Check for good pilot flames on the thermopile. Check for good voltage from the thermopile. If venting is suspected, refer to the venting section of this manual for proper venting practices. Check wire connections. Expansion from heat affects a loose connection. |
| Sooty deposits on the glass door. | <ol style="list-style-type: none"> If the flame is yellow and lazy, check for lint etc. around primary air shutter. Increase primary air by opening the primary air shutter if necessary. Check for proper placement of the logs and branches. Ensure logs and burner are clean. See that section in the instruction manual. Check for proper venting and blockage of the vent termination. Check manifold pressure and clock input rating for over-firing. |

Maintenance

| SYMPTOM | ACTION |
|--|--|
| Sharp blue flames with flames lifting off the burner at the ends. | <ol style="list-style-type: none"> 1. Too much primary air. Reduce primary air by closing the primary air shutter. During cold temperatures, some flame lifting may occur during start-up. |
| Fan does not turn on. | <ol style="list-style-type: none"> 1. The fan is thermostatically controlled. It will only turn on when the appliance is warmed-up. This may take up to 15 minutes with the appliance on high. 2. Check for 120 VAC electrical supply to the appliance. (Is the cord plugged in?) 3. Is the fan speed control in the OFF position? 4. Check for proper mounting of the thermal snap disc. 5. Check electrical connections. 6. Check for defective thermal snap disc. 7. Check for defective fan speed control. 8. Check for defective fan. |
| My pilot has gone out after being lit and stable for several days. | <ol style="list-style-type: none"> 1. The Harmonia 22 is equipped with one of two possible valves. One of those options includes a 7 day Pilot on Demand (POD) Timer. This timer will turn the pilot off automatically if there has been no main burner activity for 7 continuous days. Relight the pilot using the operation instructions and the pilot will remain lit as long as the main burner is used once every 6 days. The rating plate included with your fireplace will indicate which valve you have. See Section 4 for further information. |

All service and repairs should be performed by a qualified and licensed service technician.

21.0 Frequently Asked Questions

Listed below are some frequently asked questions regarding Archgard Gas Fireplaces. If you have questions that are not listed below, or are not answered in this manual, please contact your Authorized Archgard Dealer.

Q. My glass has a condensation “fog” when the appliance is first lit.

A. Condensation is normal and will disappear in a few minutes after the glass is heated. This can be reduced if the appliance is left in CPI mode.

Q. I have a white “film” on my glass. What is the best way to clean the inside of the glass.

A. Frequent cleaning of your glass is recommended. We recommend using a good quality “gas fireplace” glass cleaner that is available at all authorized dealers. Do not use abrasive materials, and do not clean the glass or the appliance when the unit is hot.

Q. How do I care for my plated trims.

A. We recommend a cleaning with a damp cloth. DO NOT use chemical cleaners as they may harm the finish, and void your warranty.

NOTE: If the top louvers, or top overlay starts to discolor, check the door gasket seal and contact your local Archgard dealer to replace if necessary.

Q. My fan/blower makes a “whirring” or “humming” noise.

A. Your Archgard gas appliance uses a powerful fan to push heated air into your room. It is not unusual to hear a “humming” noise when your fan is running. Note: the sound will change depending on the setting that your fan speed control is set at.

Q. I hear a “ticking”, “cracking” or “pinging” sound when my fireplace is running, and after it is turned off.

A. The different gauges of steel used to manufacture your fireplace will expand and contract at different rates when your fireplace is on, and will continued as your fireplace completes its heating function. You will likely hear these same sounds more on start up and shut down. This is normal for steel fireplaces.

Q. I hear a “click” when my main burner turns ON or OFF.

A. Your Gas Control Valve will make a clicking sound when it opens to allow gas to flow to the main burner. This is a normal part of the operating system.

Q. Can I burn wood and other materials in my gas fireplace.

A. No! Burning anything other than the fuel (natural gas or propane) the fireplace is setup for will create a potential fire hazard and present a danger to your home and its occupants and possibly void your manufacturer's warranty. Only burn the gas fuel for which the unit was originally designed.

Q. Can I shut my pilot off in the summer?

A. You will save energy by turning off the pilot light if you are not using your appliance for the hot summer months. Remember to relight it before you want to use the appliance for the first time in the fall. See **Section 19** for lighting instructions.

The Harmonia 22 is equipped with one of two possible valves. One of those options includes a 7 day Pilot on Demand (POD) Timer. This timer will turn the pilot off automatically if there has been no main burner activity for 7 continuous days. Relight the pilot using the operation instructions and the pilot will remain lit as long as the main burner is used once every 6 days.

The rating plate included with your fireplace will indicate which valve you have.

See **Section 4** for further information.

Q. Can I position my gas logs in a different fashion or use a different log set?

A. No. Your gas fireplace is an engineered system that includes the firebox, burner, logs, venting and options which are tested and listed with a certification agency. Changing any specifications or placement of the logs could cause injury or damage, void your manufacturer's warranty, and possibly even your homeowner's warranty.

22.0 Replacement Parts List

| Item # | Item Description | Unit |
|-------------------------|---|------|
| 200-0064-03 | Owner's Manual - English | EA |
| 200-0064F-03 | Owner's Manual - French | EA |
| 22-BS | Barrier Screen | EA |
| 308-0013 or 308-0018 | SIT 820 Gas Valve or SIT 821 Gas Valve with CPOD (see the rating label on the fireplace) | EA |
| 305-0013 | Fan Speed Control | EA |
| 308-0005 | Piezo Igniter | EA |
| 305-0021 | Fan Thermal Switch | EA |
| 999-FK-02 | Optional Fan Kit | EA |
| RF-305-0024 | Replacement Fan (fan only) | EA |
| 301-6000-44 | Orifice - #44 DMS for Natural Gas | EA |
| 301-6000-54 | Orifice - #54 DMS for Propane | EA |
| 308-0120 | Pilot Assembly | EA |
| 314-0139 | Pilot Gasket | EA |
| 301-6016 | Pilot Gas Line | EA |
| RP-822-0040 | Burner Assembly - Log Burner | EA |
| RP-822-0280 | Grate Assembly | EA |
| 22-CKMNG | Conversion Kit LP to NG | EA |
| 22-CKMLP | Conversion Kit NG to LP | EA |
| 22-BRPL-QCR | Quebec City Red Brick Panel Set | EA |
| 22-BRPL-QCG | Quebec City Grey Brick Panel Set | EA |
| 22-BRPL-RG | Eternal Flame Reflective Ceramic Glass Panel Set | EA |
| 305-0019 | Rocker Switch for Surrounds | EA |
| 22-SKSBS | Small Three-sided Surround | EA |
| 22-SKLBS | Large Three-sided Surround | EA |
| 22-SK4SBS | Small Four-sided Surround | EA |
| 22-SK4LBS | Large Four-sided Surround | EA |
| 22-SK4BLANK | Trimmable Surround | EA |
| 22-DPSS2 | 2" Decorative Plinth - for 22-SKSBS | EA |
| 22-DPSS4 | 4" Decorative Plinth - for 22-SKSBS | EA |
| 22-DPSS6 | 6" Decorative Plinth - for 22-SKSBS | EA |
| 22-DPLS2 | 2" Decorative Plinth - for 22-SKLBS | EA |
| 22-DPLS4 | 4" Decorative Plinth - for 22-SKLBS | EA |
| 22-DPLS6 | 6" Decorative Plinth - for 22-SKLBS | EA |
| 22-DTBK | Black Decorative Trim - for three-sided surrounds | EA |
| 22-DTBN | Brushed Nickel Decorative Trim - for three-sided surrounds | EA |
| 22-DTGP | Gold Plated Decorative Trim - for three-sided surrounds | EA |
| 22-DT4BK | Black Decorative Trim - for four-sided surrounds | EA |
| 22-DT4BN | Brushed Nickel Decorative Trim - for four-sided surrounds | EA |
| 22-DT4GP | Gold Plated Decorative Trim - for four-sided surrounds | EA |
| 310-6222 | Complete 6 pcs Log Set c/w black embers | SET |
| RP-822-0000 | Complete Replacement Door. Includes glass, gasket and door frame | EA |
| RP-822-0161 | Replacement Manual Package | EA |

Warranty

This Limited Warranty is made by ARCHGARD INDUSTRIES LTD., hereinafter referred to as "Archgard". Archgard warrants to the original purchaser of an Archgard gas burning fireplace(s) that the product will be free from defects in materials and workmanship under normal use and service, for a "lifetime". All warranty repairs are to be performed by an authorized Archgard Dealer during the warranty period. Other repair / service company charges for any work done during the warranty period, will be the responsibility of the home owner.

INCLUSIONS: "LIFETIME LIMITED WARRANTY"

- All heat exchangers and combustion chamber
- Ceramic Fiber Logs and Ceramic Brick Panels, against splitting and cracking due to heat exposure

NOTE: Discoloration and some minor movement including warping of certain parts are normal and are not a defect; therefore, not covered under warranty.

INCLUSIONS: "SEVEN YEAR LIMITED WARRANTY"

- Burner tubes and pans

INCLUSIONS: "TWO YEAR LIMITED WARRANTY"

- Ceramic Glass against thermal breakage
- Trims and accessories from splitting or separating
- Electronic Control Module, Remote Transmitter

Items included with ten-year and two-year limited warranty will be covered under "Parts & Subsidized Labour" to the original purchaser for one (1) year and "Parts Only" thereafter from original date of purchase.

INCLUSIONS: "ONE YEAR LIMITED WARRANTY"

- Blowers, fans and fan motors, wiring, rheostats and thermodiscs
- Rocker switches, spill switches and wiring to them
- Gas control valves, pilot assemblies including thermopiles, thermocouples, electrodes and igniters
- Paint peeling or cracking

Items included in the one-year limited warranty will be covered under "Parts & Subsidized Labour" to the original purchaser for one (1) year from date of purchase.

WHAT TO DO IN THE EVENT OF A PROBLEM:

- Thoroughly read your "Owner's Installation, Operation & Maintenance Manual"
- If you cannot solve the problem, contact your Archgard dealer or representative
- When calling for assistance, please have the following information:

| Model of your fireplace | Serial Number | Place of Purchase |
|--------------------------------|----------------------|--------------------------|
|--------------------------------|----------------------|--------------------------|

| Date of Purchase | Problem Description |
|-------------------------|----------------------------|
|-------------------------|----------------------------|

NOTE: Warranty will be void if work is carried out by an unqualified person(s). Only original Archgard parts may be used. Please consult your Archgard dealer or representative if in doubt about a replacement part(s).

- All warranty repairs are to be performed by an authorized Archgard Dealer during the warranty period. Other repair / service company charges for any work done during the warranty period, will be the responsibility of the home owner.

OBTAINING WARRANTY SERVICE:

The original purchaser shall return the defective part(s) to the original authorized Archgard dealer – transaction prepaid, along with the serial number of the appliance and original proof of purchase. Any defective part, in our judgment, will be repaired or replaced at Archgard's discretion. The dealer must obtain approval from Archgard before any repairs are made.

WARRANTY LIMITATION:

THIS LIMITED WARRANTY IS MADE IN LIEU OF ALL OTHER WARRANTIES, EXPRESSED OR IMPLIED AS TO QUALITY, MERCHANTABILITY OR FITNESS FOR PARTICULAR PURPOSE.

The appliance is only warranted for the use as intended by the installation and operating instructions and local building codes. The warranty will not cover damage due to accident, misuse, abuse, alteration, improper installation or "Acts of God". This limited warranty is void unless the appliance is installed by a qualified Archgard installer, in accordance with the instructions furnished with the appliance. Some Provinces or States do not allow limitations on how long an implied warranty lasts, so the above limitations may not apply to the original purchaser. Any damage resulting from defects in this product is limited to the replacement of the defective part(s) and does not include incidental and consequential exposures sustained in connection with the product. This includes facing(s), mantle(s), cabinet(s), tile(s) or any other finishes resulting from removal of any gas appliance. This warranty is limited to residential use only and gives the consumer specific rights. These rights may vary from State to State or Province to Province.

WARRANTY CONDITIONS & REQUIREMENTS:

1. You are the original purchaser – this warranty is not transferable.
2. Installation of the fireplace must be performed by a qualified Archgard installer.
3. Installation and operation must comply with the installation and operation instructions.
4. All optional accessories are covered for one (1) year from the date of purchase.
5. This warranty does not offer coverage for light bulbs or batteries (whether factory, dealer, or installer supplied). This includes any damage stemming from non-use.
6. Damage during shipping or handling of components, defects resulting from improper installation or service, or misuse of the fireplace or fireplace components are not covered under this warranty.
7. This warranty does not cover any part of the fireplace or any component which has been exposed to or submerged under water.
8. Archgard must be notified by the dealer the fireplace was purchased from or a qualified Archgard technician of the defect.
9. Annual service of the fireplace as required in the installation manual must be performed by a qualified Archgard technician (service records may be required to claim a warranty).
10. All previous warranty service must have been performed by a qualified Archgard technician (service records may be required to claim a warranty).
11. Travel time or mileage to the original purchaser's residences is not covered under this warranty. We suggest that you pre-arrange travel expenses with your Authorized Archgard Dealer.
12. Freight on warranty shall be covered for the first two years of the warranty period.

POSTAGE

WARRANTY REGISTRATION

ARCHGARD INDUSTRIES LTD.
PO BOX 318
RAYMOND, AB
T0K 2S0

FOLD DOWN AT LINE

FOLD DOWN AT LINE & TAPE CLOSED

Model # : 22-DVIM22LN-1 Serial #: _____ Date Installed: _____ / _____ / _____

Name: _____ Address: _____

City: _____ State/Prov: _____ ZIP: _____ Phone: (_____) _____

Dealer's Name & Address: _____

City: _____ State/Prov: _____ ZIP: _____ Phone: (_____) _____

Installer's Name & Address: _____

City: _____ State/Prov: _____ ZIP: _____ Phone: (_____) _____

Why did you choose this product? _____

Thank you for purchasing our product and filling out this warranty card. Save time by completing this form at www.archgard.com/warranty-registration

CUT ALONG LINE

CUT ALONG LINE

CUT ALONG LINE

ARCHGARD INDUSTRIES LTD.

300 RAILWAY AVENUE
RAYMOND, AB T0K 2S0
CANADA

WWW.ARCHGARD.COM