

# Technical Specifications

50-DVTE36CN-1	
Natural Gas / Propane	19,500 - 36,000 BTU/h (5.7 - 10.55 kWh) / 17,000 - 33,000 BTU/h (4.98 - 9.67 kWh)
Efficiencies	<b>Steady State: 71.20%</b> <b>P.4 Fireplace Efficiency: 63.55%</b>
Ignition Type	Archgard's exclusive Dynamic Start Advantage spark-to-pilot ignition with continuous pilot on demand and battery backup**
Lighting	Six-level accent lighting controlled using the remote included.
Convection Fan	Two high efficiency six speed heat distribution fans and variable speed fan control
Glass Type	Shatter-resistant ceramic glass
Viewing Area	48" W x 15" H, 50" Diagonal
Vent Size	4" and 7" vent collars exit top of unit
Burner Type	Linear Panoramic wall-to-wall steel pan
Firebox Construction	Welded, double-seal rivet and gasket, silicone free Constructed of 16 and 18 gauge galvanized and aluminized coated steel for long life and durability
Warranty	Archgard's Worry-Free Elite Limited Lifetime
Serviceability	Easy access to the valve and controls for cleaning or servicing from the front of the fireplace
Multiple Barrier Options	Choose between the Premium Clear View Barrier Screen with InvisiMesh or the Grandview Park Decorative front*
Clearance to Combustibles	
Mantel Clearance (without I.H.E.A.T.)	8" mantle at minimum 23.5" from the top of the fireplace opening**
Hearth Clearance	No hearth clearance required!
Sidewall Clearance	3" from side of glass door to sidewalls or mantel supports.

\* A safety barrier must be installed.

\*\* See the manual for more information.

Clearances differ when I.H.E.A.T. is installed.

This appliance was listed by QAI Laboratories Inc to the following USA and Canadian gas appliance standards:

- ANSI Z21.88-2019/CSA 2.33-2019 Vented Gas Fireplace Heaters
- CSA-2.17-2017, Gas-Fired Appliances for Use at High Altitudes
- CSA P.4.1-15 testing method for measuring annual fireplace efficiency.
- CSA C22.2 No.3 - M1988(R.2014) - Electrical Features of Fuel-Burning Equipment

# Optional IHEAT Specifications

Technical Specifications	
Average Air Flow	100 CFM
Maximum Temperature Output	200°F (93°C)
Maximum Duct Length	30' (914.4 cm)
Clearances to Combustibles	
Mantel Clearance (with I.H.E.A.T.)	8" mantle at minimum 4" from the top of the fireplace opening**
Clearance from discharge head to TV or artwork	3"
I.H.E.A.T. Discharge Head Clearance to Ceiling	2" minimum to IHEAT opening
12" I.H.E.A.T. Discharge Head Clearance to Second Story Floor	4.125" minimum to IHEAT opening
Clearance to ducting	Minimum 0.5" Ducting to framing or other material
Kits Available	
999-IHT-540	40" Long Discharge System with 5" Collars
999-IHT-51212	Two 12" x 6" Discharge System with 5" Collars
999-IHT-54012	One 40" Long Discharge and one 12" x 6" Discharge System with 5" Collars

This information is intended to be used as an introductory guide.

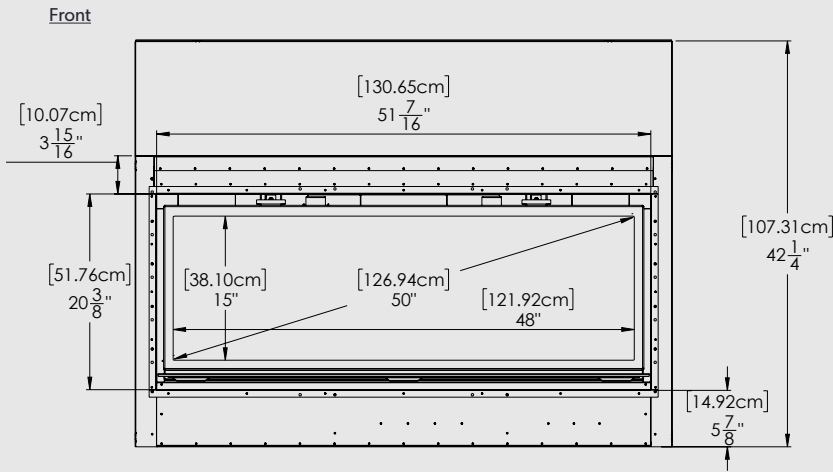
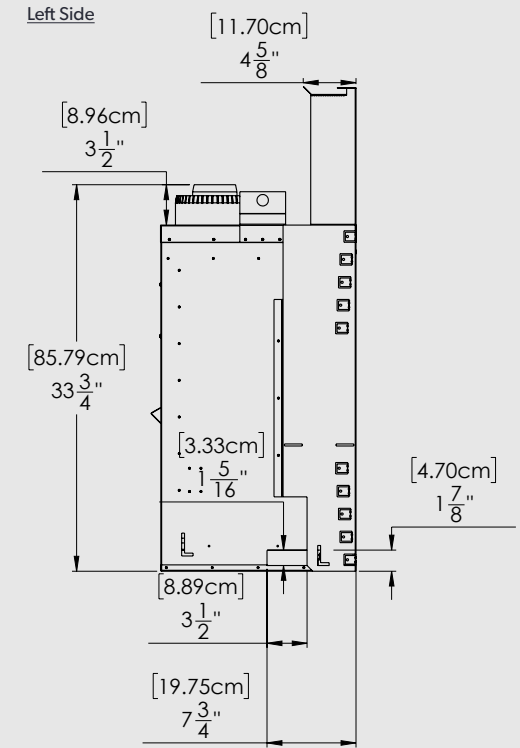
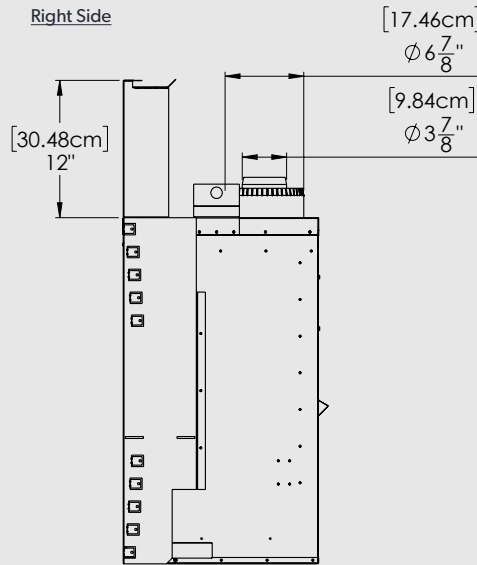
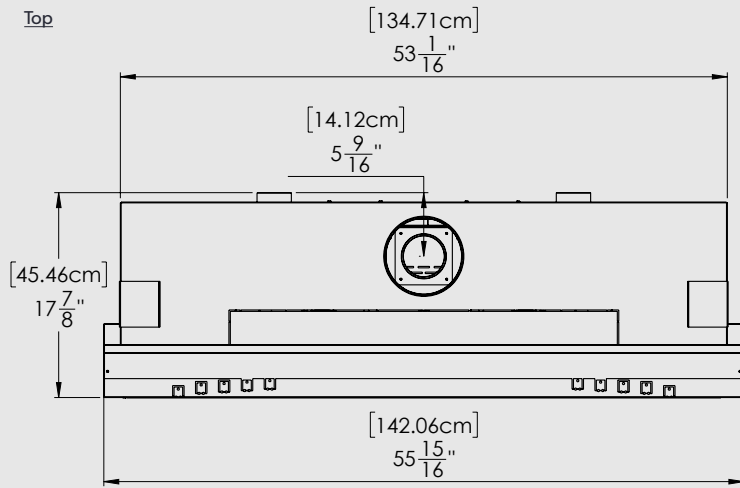
We recommend reading both the fireplace installation manual and the IHEAT installation manual in full to plan the installation.

Find us on:

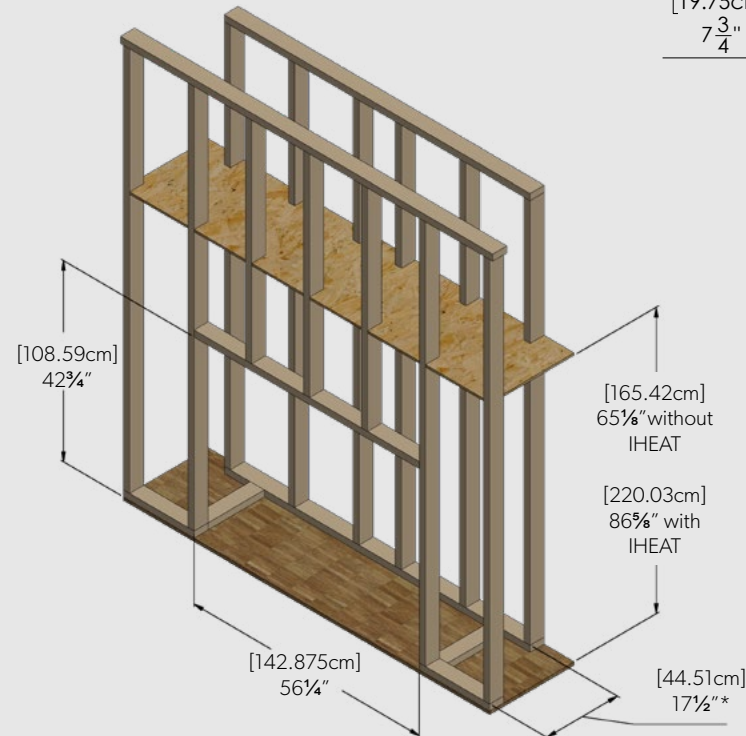


Facebook YouTube Instagram

# FIREPLACE DIMENSIONS

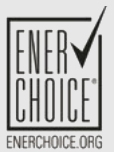


# FRAMING DIMENSIONS



\* See the Installation, Operation, and Maintenance Manual for more information.

See the IHEAT manual for information on framing the discharge head options and other important IHEAT installation specifications.



ENERCHOICE.ORG



CERTIFIED

