



Contemporary Gas Fireplaces



Add a touch of style
and warmth to any room.



Brigantia (BRIG-an-TEE-ah):

The exalted one. Brigantia is a Celtic goddess who personified the hegemony of the Brigantes. She was a goddess of springs, streams, rivers, and water cults. She is associated with perpetual, sacred flames.

Brigantia’s qualities include eloquence, perfection, and excellence for which the fireplaces in this line are named.

Brigantia fireplaces are a line of contemporary gas fireplaces designed and manufactured in North America with the highest standard of workmanship by Archgard Fireplace Products. We take great pride in producing a fireplace that exceeds our customers’ expectations. We believe that quality people produce quality products, and it is the quality craftsmanship that goes into each Archgard product that allows us to offer our elite Limited Lifetime Warranty.

Brigantia fireplaces offer an efficient, contemporary fire in three unique shapes to complete any space. They are designed to allow versatile installation options and involves a minimal invasion into the home with a framing process similar to framing a window.

Burner Media Options

Firebeads



Jet Black



Amber

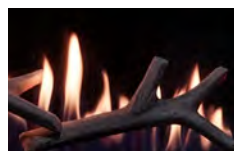


Clear White

Silhouette Logs



White



Grey



Black

Find us on:



Facebook

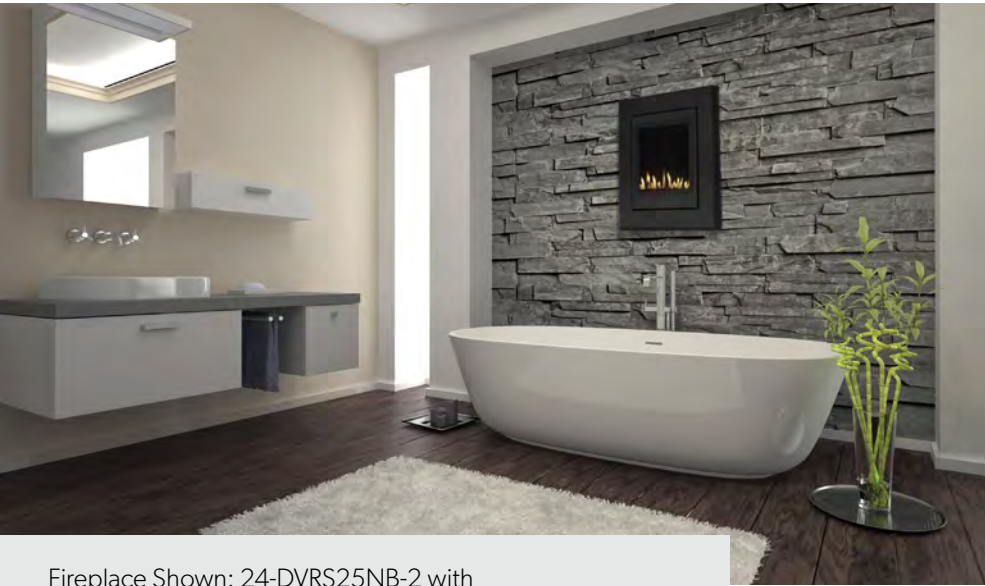


YouTube



Instagram

ELOQUENCE



Fireplace Shown: 24-DVRS25NB-2 with Black Surround

Models

24-DVRS25NB-2: Black Door

24-DVRS25NBN-2: Brushed Nickel Door

Eloquence: Clearly demonstrating, expressing, or indicating something.

Input rating

Valve Type:

Natural Gas

14,000 - 25,000 BTU/hr / 4.1 - 7.3 Kw/hr

Propane

14,000 - 25,000 BTU/hr / 4.1 - 7.3 Kw/hr

Efficiencies:

Steady State: 75.67%

P4 Fireplace Efficiency: 74.96%

The Eloquence demonstrates beautiful styling in your modern home without sacrificing efficiency. With its unique slim, portrait style and variable door, surround, and burner media options, the Eloquence adds life to any space regardless of the shape or size of the room.

Surrounds and Doors



24-DVRS25NB-2 with Black Surround



24-DVRS25NB-2 with Nickel Surround



24-DVRS25NBN-2 with Nickel Surround



24-DVRS25NBN-2 with Black Surround

QUALITY DESIGN DEPENDABILITY

PERFECTION

Models

35-DVRS31NB-2: Black Door

35-DVRS31NBN-2: Brushed Nickel Door

Perfection: The condition of being free or as free as possible from all flaws or defects.

Input rating

Valve Type:

Natural Gas

16,000 - 31,000 BTU/hr / 4.7 - 9.1 Kw/hr

Propane

16,000 - 31,000 BTU/hr / 4.7 - 9.1 Kw/hr

Efficiencies:

Steady State: 73.19%

P4 Fireplace Efficiency: 75.40%



Fireplace Shown: 35-DVRS31NB-2 with
Black Surround

The slim fit design of the Perfection offers installation convenience and completes your flawless modern home with a breathtaking smooth and elegant view of the fire. Watch as the Perfection becomes the centerpiece of your home; gathering family and guests around its stylish flame.

Surrounds and Doors



35-DVRS31NB-2 with
Black Surround



35-DVRS31NB-2 with
Nickel Surround



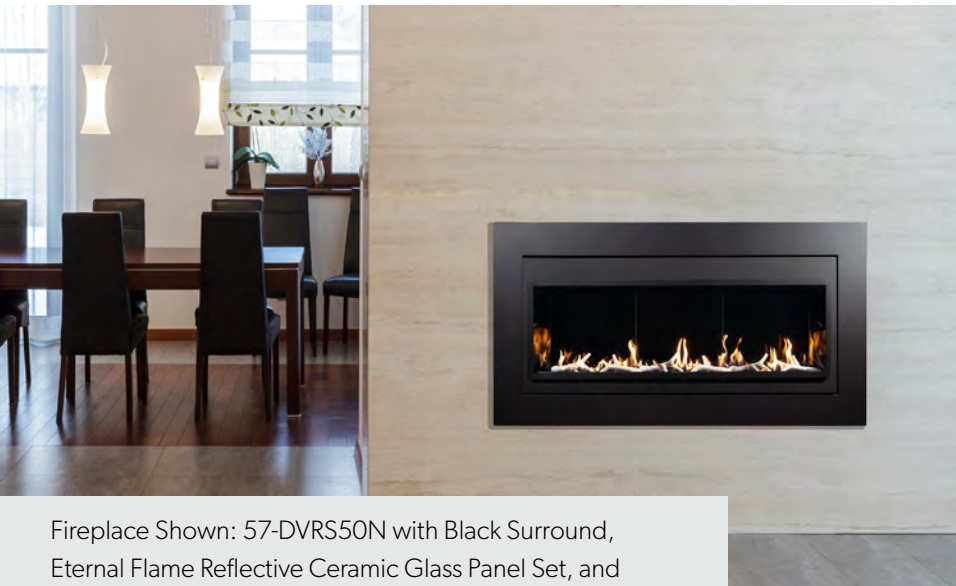
35-DVRS31NBN-2 with
Nickel Surround



35-DVRS31NBN-2 with
Black Surround

QUALITY DESIGN DEPENDABILITY

EXCELLENCE



Fireplace Shown: 57-DVRS50N with Black Surround, Eternal Flame Reflective Ceramic Glass Panel Set, and White Silhouette Log Set

Model

57-DVRS50N

Excellence: The quality of being outstanding.

Input rating

Valve Type:

Natural Gas

21,000 - 50,000 BTU/hr / 6.1 - 14.7 Kw/hr

Propane

19,000 - 50,000 BTU/hr / 5.6 - 14.7 Kw/hr

Efficiencies:

Steady State: 72.01%

P4 Fireplace Efficiency: 72.74%

Why would you add a traditional gas burning fireplace to your modern home? The Excellence will fill your larger spaces with a flame that stands out. Efficiency is a key element for any modern home. Most larger fireplaces sacrifice efficiency in order to bring a larger flame. Sacrifice nothing with the slim, efficient, and outstanding Excellence.

Surrounds and Doors



57-DVRS50N with Black Surround

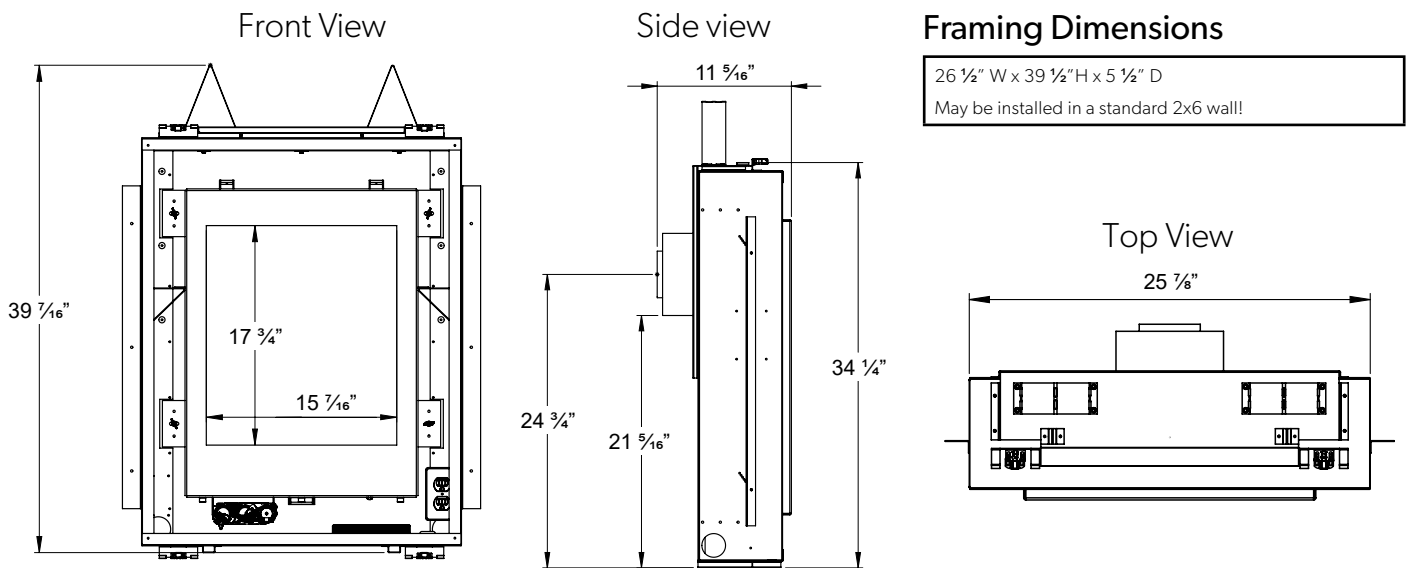
QUALITY DESIGN DEPENDABILITY

TECHNICAL SPECIFICATIONS

Standard Features			
Remote Control:	Multi-function wall mountable remote control system including smart thermostat*		
Interior Lining:	Standard: Black fiber Optional: Eternal Flame Reflective Ceramic Glass Panel Liner		
Glass Door:	Durable shatter-resistant ceramic glass		
Firebox Construction:	Welded, double-seal rivet and ceramic gasket, silicone free. Constructed of 16 and 18 gauge galvanized and aluminized coated steel for long life and durability		
Warranty:	Worry-Free Elite Limited Lifetime		
Conversion Kit:	Optional propane conversion kit available		
Install Location Options:	Versatile installation location options that allow you to bring efficient radiant heat to wherever you need it most. Brigantia fireplaces do not require an outside chase to install and may be installed in a standard 2 x 6 wall!		
	Eloquence and Perfection		Excellence
Burner Type:	Single burner panoramic linear wall to wall steel pan		Triple burner panoramic linear wall to wall steel pan with split flow control
Ignition Type:	Archgard's exclusive Dynamic Start Advantage spark-to-pilot ignition with continuous pilot on demand and battery backup*		Spark-to-pilot ignition with split flow control, continuous pilot on demand, and battery backup*
Critical Dimensions			
Model Number:	24-DVRS25NB-2 / 24-DVRS25NBN-2	35-DVRS31NB-2 / 35-DVRS31NBN-2	57-DVRS50N
Viewing Area:	15 7/16" W x 17 3/4" H	31" W x 17" H	54 3/8" W x 16 1/8" H
Surround Dimensions:	28 1/8" W x 35 3/16" H x 3" D	44 1/2" W x 35 3/16" H x 3" D	69 7/8" W x 37 3/4" H x 3" D
Vent Size:	4 x 6 5/8" rigid, rear, 4" x 7" flex		5" x 8" rigid or flex
Clearances (measured from fireplace door)	Sidewall: 9" Floor: 4" (from the bottom of the fireplace shell) Ceiling: 24" Mantel: 14" (with 8" deep mantel)		Sidewall: 18" Floor: 5" (from bottom of fireplace shell) Ceiling: 30" Mantel: 18" (with 8" deep mantel)

* See the owners manual for more information

24-DVRS25NB-2 / 24-DVRS25NBN-2



See owner's manual for framing instructions and clearance to combustible guides.

For more information and pictures visit brigantiafireplaces.com.

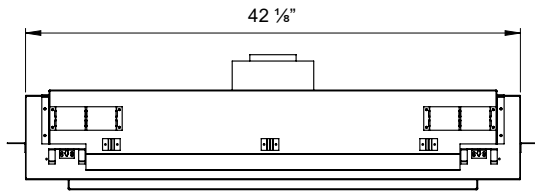
All fireplaces come standard with barrier screens which attach to the door with very little effort.

California Proposition 65 Warning: These products can expose you to chemicals including Carbon Monoxide, that is an externally vented by-product of fuel combustion, which is [are] known to the State of California to cause cancer, birth defects, or other reproductive harm. For more information, visit www.P65Warnings.ca.gov.

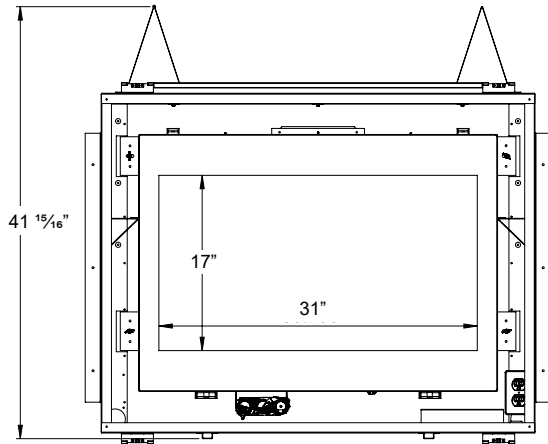


35-DVRS31NB-2 / 35-DVRS31NBN-2

Top View



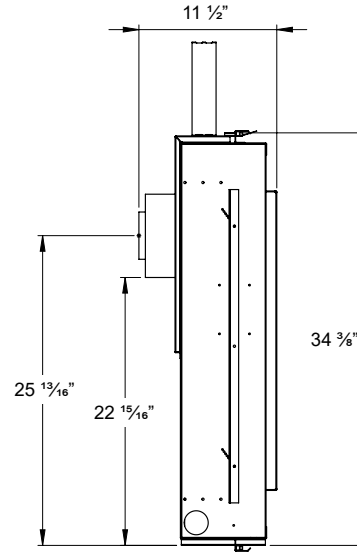
Front View



Framing Dimensions

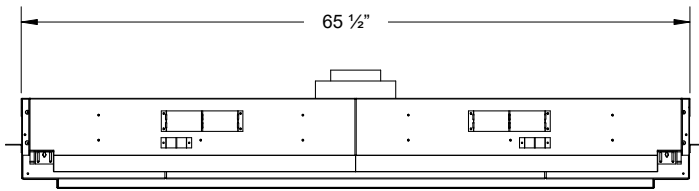
42 1/2" W x 42"H x 5-1/2" D
May be installed in a standard 2x6 wall!

Side view

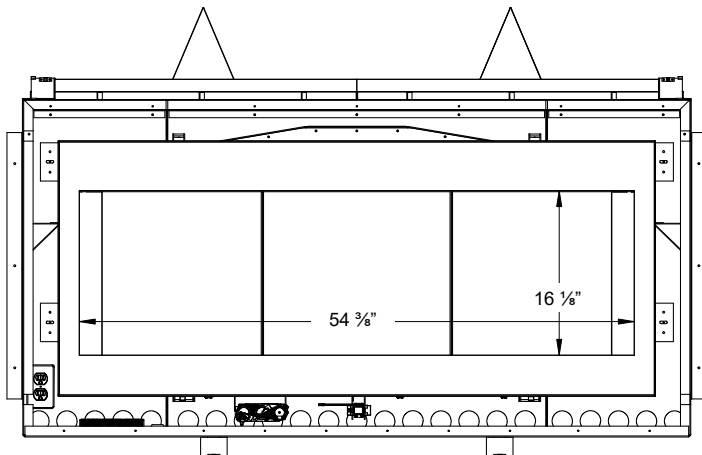


57 DVRS50N

Top View



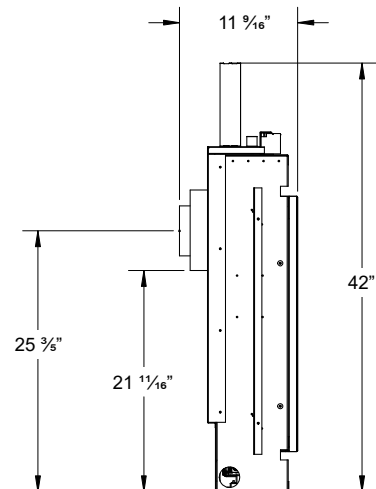
Front View



Framing Dimensions

66 1/2" W x 42"H x 6" D
May be installed in a standard 2x6 wall!

Side view



Archgard
FIREPLACES


Brigantia
FIREPLACES