

# Archgard

FIREPLACES

**GAS FIREPLACES**  
Direct Vent / Zero Clearance



72-DVT30N-2 with Eclipse Front  
& Eternal Flame Reflective Ceramic Glass Panel Set

---

# CONTENTS

---



The story of Archgard and the inspiration of heating	3
<b>Products</b>	
72-DVT30N-2 & 72-DVTE30N-2	4
3400-DVTR20N-3	6
Technical Information	8
Accessories	10



---

## THE STORY OF ARCHGARD AND THE INSPIRATION OF HEATING

---

### INSPIRATION

Fire has played a vital role throughout history, ensuring our survival. The fireplace has always held a special place in the hearts and homes in North America. It is the focal point of the home and provides the heat, light, and security we all need – especially during those cold winters and long nights with heavy snowfall and icy winds.

### DRIVE

Passion has been the drive behind every fireplace Archgard has built since it was established over 30 years ago. Quality, modern technology, and design has been our recipe for success. Quality was our promise then, and quality is our promise today. Our fireplaces combine old traditions with modern functionality. We create products that give you the same feeling you get while sitting in front of a traditional wood burning fireplace yet satisfies even the most stringent demands for clean combustion. This all leads to the Archgard experience: enjoy your unparalleled flame with a clear conscience.



### AND SO MUCH MORE....

The fireplace is no longer simply a source for heat but rather a central part of our homes. Our fireplaces are designed with clean lines and a focus on providing a perfect flame. We offer a wide range of products and accessories to meet any personal tastes. The result of our endeavors are timeless classics that form a natural gathering point in modern homes.

## 72-DVT30N-2 & 72-DVTE30N-2<sup>+</sup>

### Ignition Type:

72-DVT30N-2 - Millivolt Ignition (USA Only)

72-DVTE30N-2 - Electronic Ignition (USA or Canada)

### Fireplace Dimensions :

38" (965mm) W x 31" (787mm) H x 16-1/4" (412mm) D\*

### SPECIFICATIONS

Input Rating	
Natural Gas	20,100-30,000 BTU/hr 5.9-8.8 kW/hr
Propane	23,000-30,000 BTU/hr 6.7-8.8 kW/hr
Efficiencies	
Steady State	68.49%
P.4 fireplace Efficiency	68.45%

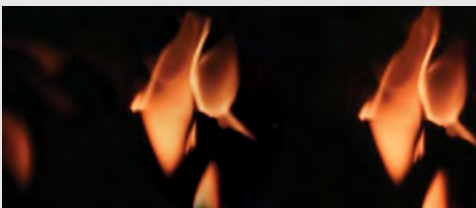
### FIREBRICK OPTIONS



72-BRPL-QCG /  
Brick Panel,  
Québec City Grey



72-BRPL-QCR /  
Brick Panel,  
Québec City Red



72-BRPL-RG /  
Eternal Flame Reflective  
Ceramic Glass



Relax and let your Archgard fireplace warm your home on those cold nights when you need it the most. The German engineered silent direct drive heat distribution fans will provide the warmth you need faster and farther than natural convection.

For more information, pictures, and videos visit [www.archgard.com](http://www.archgard.com)

\* See the manual for more information.

\*\* All units come standard with barrier screens which attach to the door with very little effort.

+ Available with Electronic Ignition or Millivolt Ignition (USA Only).



Customize your fireplace by adding decorative accessories from our range of designer fronts and louvers. Choose from three optional distinct firebox linings: Modeled after brickwork found in La Citadelle de Québec, the Quebec City Grey Brick provides a clean and alternative look while adding some old-world charm. The Quebec City Red Brick maintains that old-world charm while bringing a more traditional look. The robust Eternal Flame Reflective Ceramic Glass liner outlasts the typical porcelain and enhances your fireplace experience by adding an endless flame to the backdrop of your fireplace.

Fireplace Model Number: 72-DVT30N-2  
Surround: 72-DAHVBL (Door, Arch, Hemlock Valley, Black)  
Firebrick option: 72-BRPL-QCG (Québec City Grey)



## 3400-DVTR20N-3<sup>+</sup>

### Ignition Type:

Millivolt Ignition (USA Only)

### Fireplace Dimensions:

34-5/8" (863mm) W x 30" (762mm) H x 15-3/4" (381 mm) D\*

### SPECIFICATIONS

Input Rating	
Natural Gas	13,000-20,000 BTU/hr 3.8-5.8 kW/hr
Propane	15,000-20,000 BTU/hr 4.4-5.8 kW/hr
Efficiencies	
Steady State	61.94%
P.4 fireplace Efficiency	54.54%

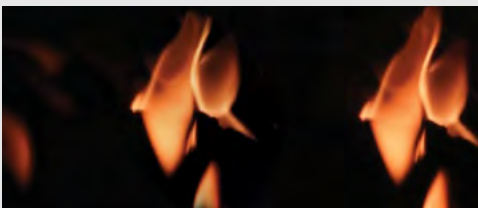
### FIREBRICK OPTIONS



**3400-BRPL-QCG /**  
Brick Panel,  
Québec City Grey



**3400-BRPL-QCR /**  
Brick Panel,  
Québec City Red



**3400-BRPL-RG /**  
Eternal Flame Reflective  
Ceramic Glass

For more information, pictures, and videos visit [archgard.com](http://archgard.com)

\* See the manual for more information.

\*\* All fireplaces come standard with barrier screens which attach to the door with very little effort.

+ Top or rear vent.



Quality, Design, and Dependability are at the core of every Archgard fireplace. The affordable 3400-DVTR20N is no exception.

This 20,000 BTU heater rated direct vent gas fireplace will fit any budget. Customize your fireplace by adding optional variable speed heat distribution fans, Quebec City Grey or Quebec City Red brick panels, or the robust Eternal Flame Reflective Ceramic Glass.

### Household Refinement

Whether building a new home or improving your existing home, the 3400-DVTR20N will exceed your expectations and become the focal point of any room.



**Easy to use**

The 3400-DVTR20N is an installer's dream. Easy to install with simple top or rear flex venting on a shallow 16" firebox and easy to maintain with tool free removal of the ultra-durable ceramic glass door. The breathtaking fire presented by the 3400-DVTR20N coupled with simple installation leaves only one problem: how many rooms should you complete?

Fireplace Model Number: 3400-DVTR20N-3  
Surround: 3400-FIFAB ( Forged Iron Front, Arch, Black)  
Brickpanel: 3400-BRPL-QCG (Québec City Grey)



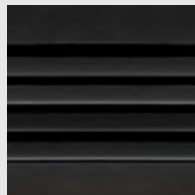
# Technical Specifications

	72-DVT30N-2	72-DVTE30N-2	3400-DVTR20N-3
Ignition Type	Millivolt	Electronic Ignition	Millivolt
Availability	USA Only	USA or Canada	USA Only
Natural Gas Input Rating	20,100-30,000 BTU/hr 5.9-8.8 kW/hr		13,000-20,000 BTU/hr 3.8-5.8 kW/hr
Propane Input Rating	23,000-30,000 BTU/hr 6.7-8.18 kW/hr		15,000-20,000 BTU/hr 4.4-5.8 kW/hr
<b>Efficiencies</b>			
Steady State	65.94%		61.94%
P4 Fireplace Efficiency	65.94%		54.54%
<b>Dimensions</b>			
Framing dimensions	38" H x 38" W x 16-1/4" D		31" H x 34-3/4" W x 16" D
Viewing Area	H 15.5" x W 29"		H 14.5" x W 26.75"
Vent Size	4 x 7" flex or approved 6 5/8" rigid		
Fireplace Vent Exit location	Top exit		Top or rear exit
<b>Clearance to Combustibles</b>			
Mantle Clearance	45" from bottom of unit to bottom of 6" mantle		35" from bottom of unit to bottom of 6" mantle
Sidewall Clearance	1" from faceplate to interior sidewall.		
<b>Standard Features</b>			
Glass Type	Shatter-resistant Ceramic Glass		
Burner Type	Panoramic wall-to-wall steel pan		
Firebox Construction	Welded, double-seal rivet and gasket, silicone free. Constructed of 16 and 18 gauge galvanized and aluminized coated steel for long life and durability.		
Warranty options	Archgard's Worry-Free Elite Limited Lifetime		
Convection Fan	Included		Optional
Propane Conversion Kit	Optional		

## LOUVERS



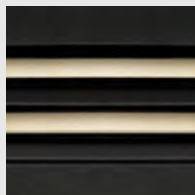
Louver Kit,  
Brushed Nickel



Louver Kit,  
Black



Louver Kit,  
Alternating Brushed  
Nickel and Black



Louver Kit,  
Alternating Gold tone  
and Black

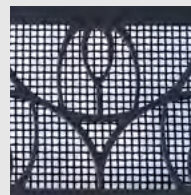
## INSETS



3400-ILGP  
Inset Kit, Gold\*



3400-ILBN  
Inset Kit, Brushed Nickel\*

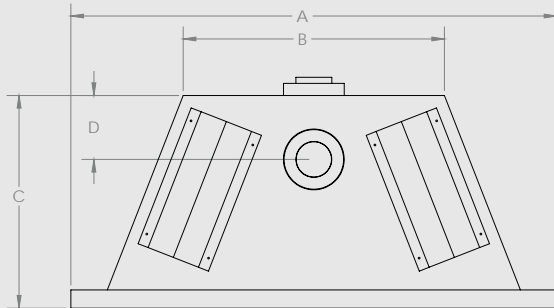


3400-ILBL  
Inset Kit, Black\*

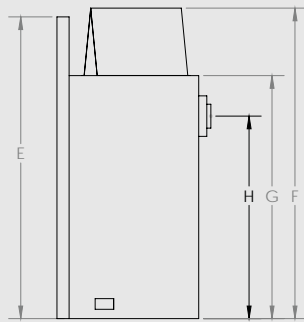
3400-DVTR20N-3 ONLY  
Available while  
supplies last!

TECHNICAL DIMENSIONS

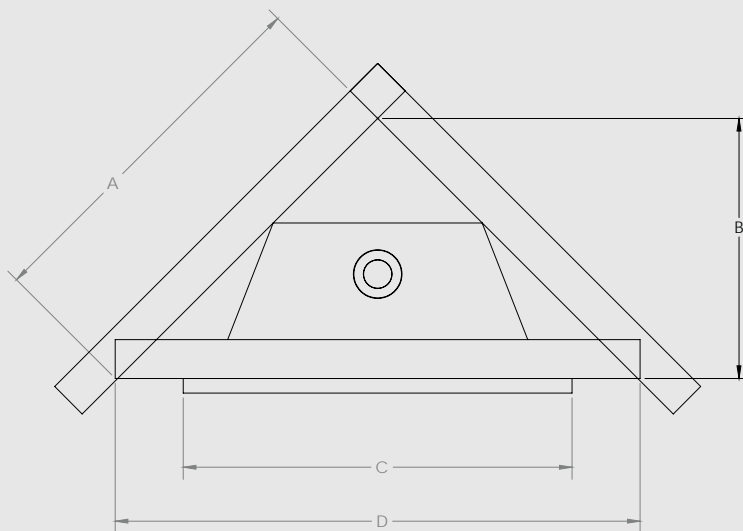
TOP VIEW



SIDE VIEW



CORNER FRAMING



72-DVT30N-2 & 72-DVTE30N-2  
(TOP VENT ONLY)

A	B	C	D
38"	21-1/2"	16-1/4"	6-1/2"
965mm	545mm	412mm	164mm
E	F	G	H
31"	38"	29-3/4"	N/A
787mm	965mm	756mm	N/A

3400-DVTR20N-3 (TOP & REAR VENT)

A	B	C	D
34-5/8"	23-1/2"	15-3/4"	6-3/4"
864mm	584mm	381mm	152mm
E	F	G	H
29"	30"	27-1/2"	21-1/2"
737mm	762mm	686mm	508mm

72-DVT30N-2 & 72-DVTE30N-2

A	B	C	D
39-1/8"	27-5/8"	38"	55-1/4"
994mm	686mm	965mm	1403mm

3400-DVTR20N-3

A	B	C	D
*39-1/2"	28"	34-3/4"	46.75"
991mm	711mm	864mm	1187mm

\*This measurement allows for 6" sidewall clearance on sides of unit (required).

**California Proposition 65 Warning:** These products can expose you to chemicals including Carbon Monoxide, that is an externally vented by-product of fuel combustion, which is [are] known to the State of California to cause cancer, birth defects, or other reproductive harm. For more information, visit [www.P65Warnings.ca.gov](http://www.P65Warnings.ca.gov).



FRONTS & DOORS



	Forged Iron Front Square FIFSB / FIFSP	Forged Iron Front Arch FIFAB / FIFAP	Wrought Iron Front Arch WIFASDB / WIFASDP
<b>FOR MODEL 72</b>	36" h x 42" w <b>B</b> <b>P</b>	36" h x 42" w x 32 1/8" to shoulder Single door <b>B</b> <b>P</b>	
<b>FOR MODEL 3400</b>	~33 1/2" h x 40 1/2" w <b>B</b>	~33 1/2" h x 40 1/2" w x 30 1/2" to shoulder <b>B</b> <b>P</b>	

**B** Black **P** Pewter

FRONTS & DOORS



	Door Arch 72-DAHVBL	Forged Iron Front Square Bow 72-FIFSBOW2DB* / 72-FIFSBOW2DP*	Eclipse Front 72-FSEB
<b>FOR MODEL 72</b>	~34 5/8" h x 39 1/8" w x 32" to shoulder Hemlock Valley <b>B</b>	*35 1/2" h x 42" w *Bow, Double door <b>B</b> <b>P</b>	*31 15/16" h x 29" w <b>B</b>

**B** Black **P** Pewter

For more information, pictures, and videos visit [archgard.com](http://archgard.com)

\* See the manual for more information.

\*\* All units come standard with barrier screens which attach to the door with very little effort.

Find us on:



Facebook



YouTube



Instagram

High Definition logs

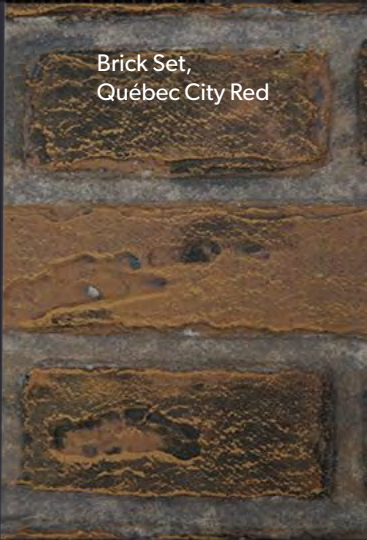
Forged Iron Door



Brick Set,  
Québec City Grey



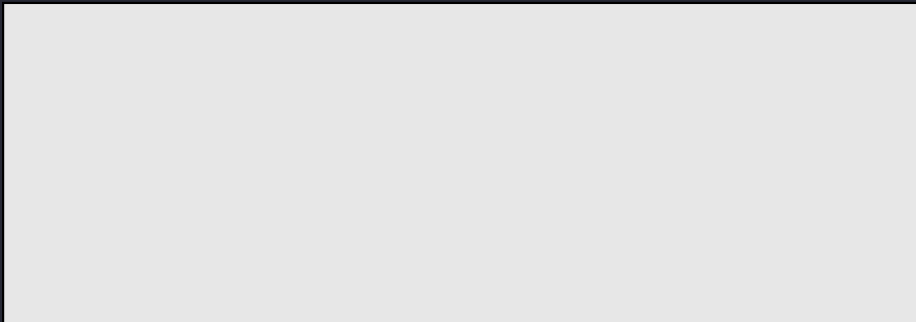
Brick Set,  
Québec City Red



Barrier screen



Forged Iron Door



Part # 100-3030



[archgard.com](http://archgard.com)

July 30, 2024